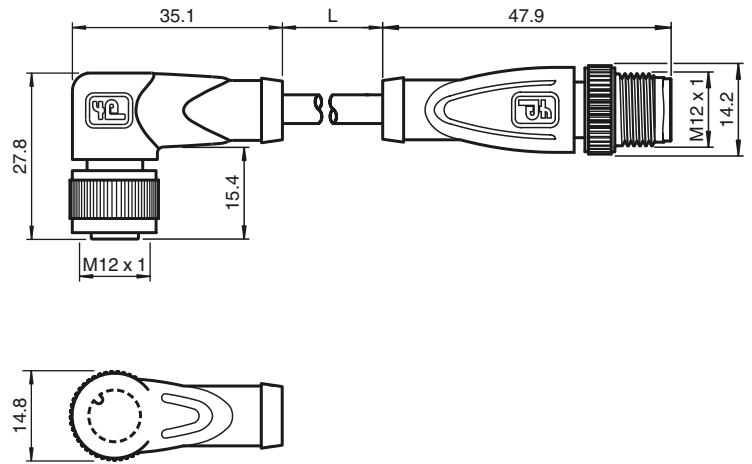




**Dimensions**



**Model Number**

**V15-W-E8-10M-PUR-V15-G**

Double-ended cordset, M12 to M12, LED, PUR cable, 5-pin

**Features**

- Built-in LED, as operating and function indicator
- Knurled nut suitable for tool assembly
- Flame resistant cable
- Halogen-free
- Resistant to microbes and hydrolysis
- Gold plated contacts

**Technical data**

**General specifications**

Number of pins 5

**Indicators/operating means**

LED green Operating display  
 LED yellow Functional display NO contact 4  
 LED red Functional display NO contact 2

**Electrical specifications**

Operating voltage  $U_B$  max. 24 V DC  $\pm$  15%  
 Operating current  $I_B$  max. 4 A  
 Volume resistance  $<$  5 m $\Omega$

**Ambient conditions**

Ambient temperature Body: -40 ... 90 °C (-40 ... 194 °F)  
 cable, fixed: -40 ... 80 °C (-40 ... 176 °F)  
 cable, flexing: -25 ... 80 °C (-13 ... 176 °F)  
 Pollution degree 3

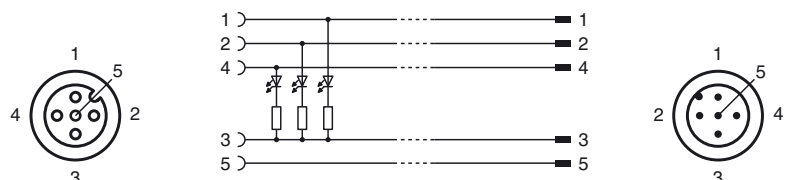
**Mechanical specifications**

Contact elements spring-loaded contact socket  
 Pin diameter 1 mm  
 Degree of protection IP67 / IP68 / IP69k  
 Material  
 Contacts CuSn / Au  
 Contact surface Au  
 Body TPU, transparent/black  
 Cable PUR  
 Slotted nut Diecast zinc  
 Sleeve connector Diecast zinc  
 Core insulation PP  
 Cable fine-strand, flexible  
 Sheath diameter  $\varnothing$ 4.8 mm  
 Bending radius  $>$  10 x cable diameter, moving  
 Color grey  
 Number of cores 5  
 Core cross-section 0.34 mm<sup>2</sup>  
 Conductor construction 19 x 0.15 mm  $\varnothing$   
 Length L 10 m  
 Flammability  
 Contact carrier 94 HB  
 Housing 94 V-2  
 Cable FT2

**Compliance with standards and directives**

Standard conformity  
 Degree of protection EN 60529:2000

**Electrical connection**



Release date: 2017-02-24 09:32 Date of issue: 2017-02-24 290584\_eng.xml



Standards	IEC 61076-2-101:2008
Halogen-free	IEC 60754-1:1994/DIN VDE 0472-815

Release date: 2017-02-24 09:32 Date of issue: 2017-02-24 290584\_eng.xml