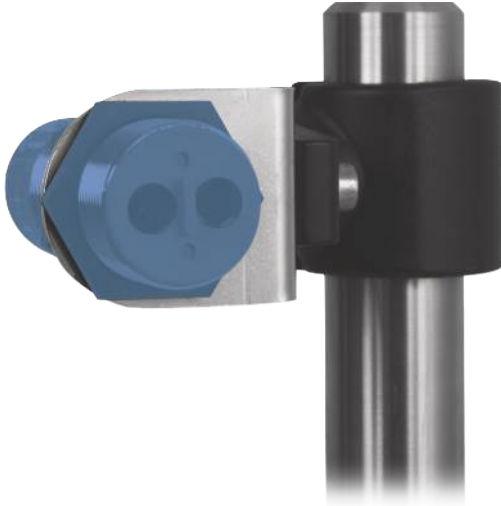


# Mounting System for M30 × 1,5

## W30S30KU

Part Number



### Technical Data

#### Mechanical Data

Material Mounting Head	Plastic PA
Material Mounting Plate for Round Profile Diameter	Stainless Steel V2A 30 mm
Packaging unit	1 Piece
Mounting Number	<b>130</b>

- Flexible alignment possibilities
- For M30 × 1,5
- Plastic
- Simple installation

The mounting system allows to adjust sensors and reflectors and to turn them around 360 degrees in horizontal and vertical direction.

