



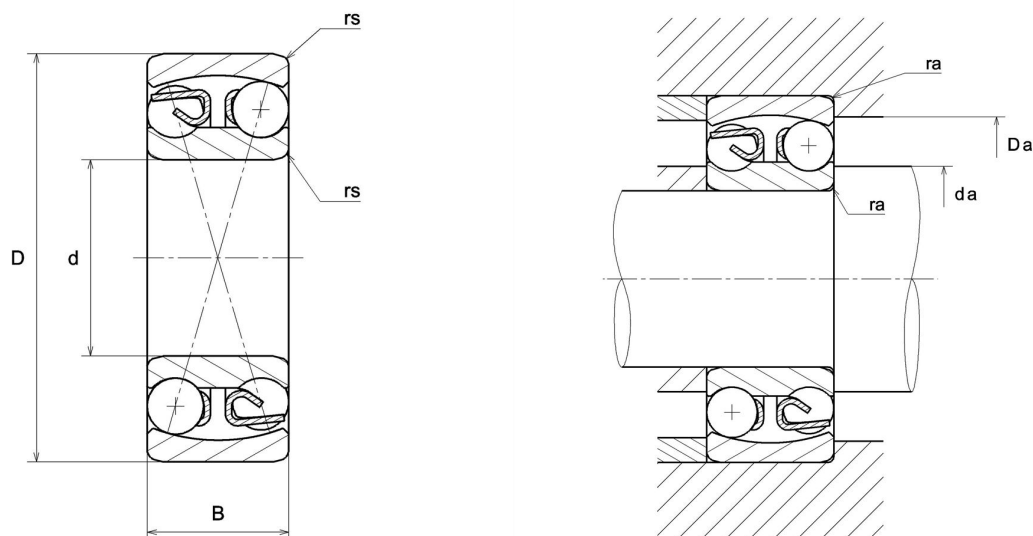
Technical datasheet

1307S

Double row self aligning ball bearings

Self-aligning ball bearing, pressed steel cage, open

Visual(s)



Product definition

d	35 mm
D	80 mm
B	21 mm
rs min	1.5 mm
e	0.26
Y1	2.5
Y2	3.8
Y0	2.6
Radial clearance class	CN
Precision class	P0
Mass	0.51 kg
Brand	NTN

Product performance

Dynamic load, C	25.3 kN
Static load, C0	7.85 kN
Nlim (oil)	9,500 rpm
Nlim (grease)	7,500 rpm
Min operating temperature, Tmin	-20 °C
Max operating temperature, Tmax	120 °C

Abutment dimensions

da min	43 mm
Da max	72 mm
ra max	1.5 mm