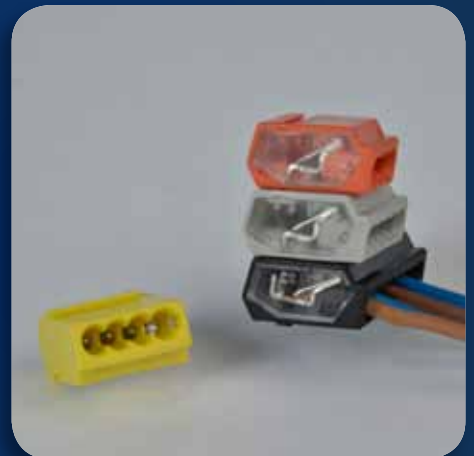
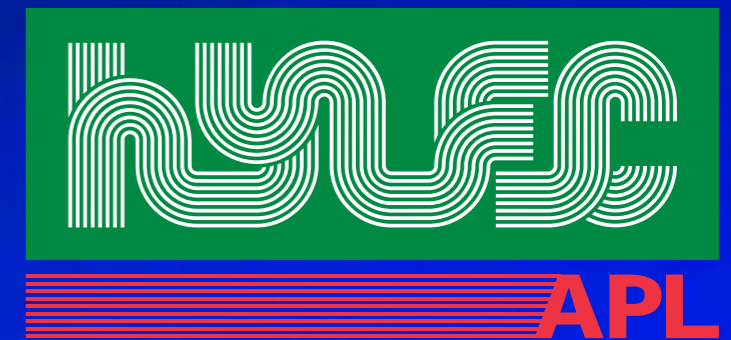
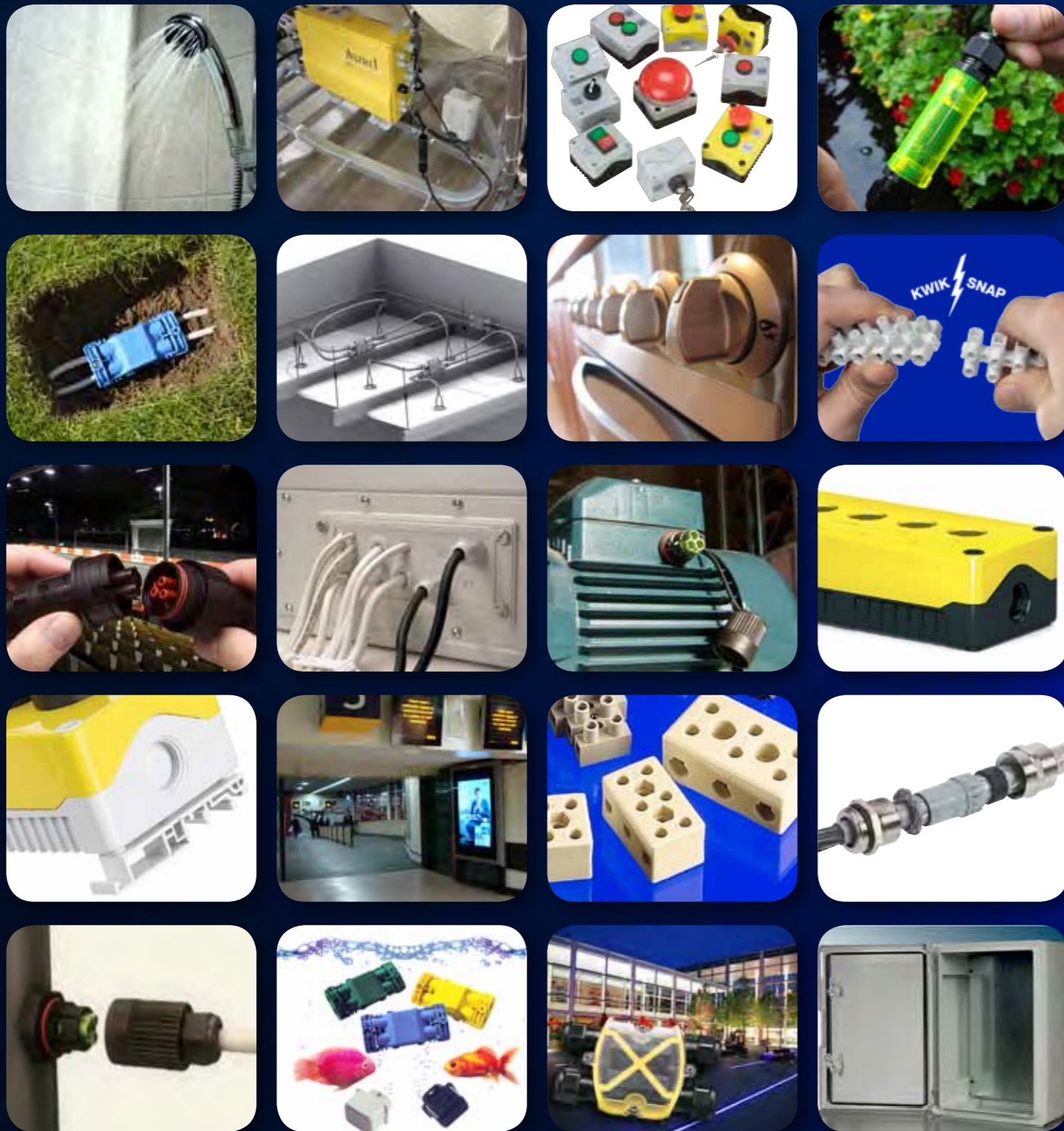




MAKING THE RIGHT CONNECTIONS



Product **Catalogue**



Hylec-APL specialise in the manufacture and supply of electrical components – including unique weatherproof connectors, cable glands, enclosures and control components.

Delivering service, quality and real value for money is our priority.

Stock

We maintain a large UK stock profile at our Northamptonshire HQ, offering enhanced product availability to our customers.

Technical

Our sales team support product choice with a wealth of product knowledge and application experience.

Quality & service

Our company holds ISO 9001:2008 and our products have internationally recognised industrial safety approvals.

MAKING THE **RIGHT** CONNECTIONS

Contents

Control Stations & Enclosures



Control Stations Single Control Stations 2 Switch Control Stations Accessories	P6-7 P6 P6-7 P7
--	---------------------------------



22mm Switches & Pilot Lamps	P8-9
--	-------------



DE Enclosures - Hole Accessories	P10-13 P12-13
--	-------------------------

DE Enclosures - No Hole Accessories	P14-16 P16
---	----------------------

Door Enclosures	P17
------------------------	------------

Weatherproof



IP68 TeeTube	P18-19
---------------------	---------------

TeePlugs	P20-23
-----------------	---------------

TeeBox Power Distribution Unit	P24-27 P26-27
--	-------------------------



TeeBlock	P28-29
-----------------	---------------

TeeDrum	P30-31
----------------	---------------



Weatherproof Range Accessories	P32
---------------------------------------	------------

IP68 Gel Filled Containers	P33
-----------------------------------	------------



Cable Glands

IP67 Cable Grommets - Rapid Installation	P34-37
---	---------------

Metric Brass ATEX Explosion Proof IP68 Brass Explosion Proof Accessories	P38 P38 P38
---	--------------------------

Metric Nylon ATEX Explosion Proof	P39
--	------------

Perfect Metric Nickel Plated Brass Accessories	P40-43 P42-43
--	-------------------------

IP68 Nylon Metric Perfect Kwik Fix IP68 Metric Cable Glands Accessories	P44-51 P44-48 P48-51
--	-----------------------------------

Perfect Metric Stainless Steel Cable Glands	P52
--	------------

TeeGlands	P53
------------------	------------

Perfect PG Nickel Plated Brass Cable Glands Accessories	P54-57 P55-57
---	-------------------------

Perfect PG Nylon Cable Glands	P58-61
--------------------------------------	---------------

PG Stainless Steel Cable Glands	P62
--	------------

Emech

Steatite High Temperature Terminal Blocks	P63
--	------------

Nylon Pillar Terminal Blocks Kwik Wire Connector	P64-67 P66-67
--	-------------------------



Control Stations

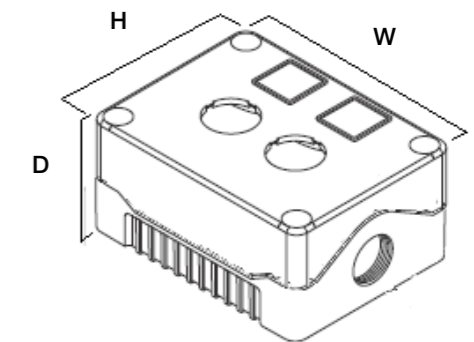


Features:

- Insulation resistance - >100MΩ @ 500VDC
- Enclosures sealed upto IP66
- Unique snap on Din Rail and Flange brackets
- Dust & waterproof for short-term submersion
- 4 sizes available! Accepting 1-4 push button switches
- 2 contact blocks fitted as standard
- Different voltage ratings are available
- Contact material - Silver Bifurcated and serrated
- Operating Temperature -10 to +65degC
- Contact rating - AC12 Resistive / AC15 Electromagnetic - 240V (3A) / 415V (1.5A)
- Mechanical life - 1 million operations



Registered Design



Single Control Stations

Emergency Stop



Product Code	IP Rating	Colour (Cover / Base)	Material	H (mm)	W (mm)	D (mm)	Description
1DE.01.01AG	IP56	Yellow / Grey	ABS-UL94-HB	80	73	53*	Emergency Stop' EN418 fail safe, twist to release
1DE.01.01AB	IP56	Yellow / Black	ABS-UL94-HB	80	73	53*	Emergency Stop' EN418 fail safe, twist to release

Emergency Stop Key



1DE.01.03AG	IP56	Yellow / Grey	ABS-UL94-HB	80	73	53*	Emergency Stop' EN418 fail safe, key release
1DE.01.03AB	IP56	Yellow / Black	ABS-UL94-HB	80	73	53*	Emergency Stop' EN418 fail safe, key release

Push Button



75.024 mm	IP66	Grey / Black	ABS-UL94-HB	80	73	53*	Single 'Stop' push button, Red actuator
1DE.01.04AG	IP66	Grey / Grey	ABS-UL94-HB	80	73	53*	Single 'Stop' push button, Red actuator
1DE.01.06AB	IP66	Grey / Black	ABS-UL94-HB	80	73	53*	Single 'Start' push button, Green actuator
1DE.01.06AG	IP66	Grey / Grey	ABS-UL94-HB	80	73	53*	Single 'Start' push button, Green actuator

Selector / Key Switch



1DE.01.08AB	IP56	Grey / Black	ABS-UL94-HB	80	73	53*	2-Position Selector Switch
1DE.01.08AG	IP56	Grey / Grey	ABS-UL94-HB	80	73	53*	2-Position Selector Switch
1DE.01.09AB	IP56	Grey / Black	ABS-UL94-HB	80	73	53*	2-Position Key Switch
1DE.01.09AG	IP56	Grey / Grey	ABS-UL94-HB	80	73	53*	2-Position Key Switch

Double Push Button



1DE.01.10AB	IP56	Grey / Black	ABS-UL94-HB	80	73	53*	Double push button - Stop / Start (O/I)
1DE.01.10AG	IP56	Grey / Grey	ABS-UL94-HB	80	73	53*	Double push button - Stop / Start (O/I)

Palm / Foot Switch



1DE.SP.21NR	IP66	Grey / Black	ABS-UL94-HB	85	85	102**	Palm / Foot push button Red button
1DE.SP.21NG	IP66	Grey / Black	ABS-UL94-HB	85	85	102**	Palm / Foot push button Green button
1DE.SP.21NB	IP66	Grey / Black	ABS-UL94-HB	85	85	102**	Palm / Foot push button Black button

2 Switch Control Stations

Emergency Stop & 1 Push Button



1DE.02.01AG	IP56	Grey / Grey	ABS-UL94-HB	80	106	53	Emergency Stop' EN418 fail safe, twist to release. Single 'Start' push button, Green actuator.
1DE.02.01AB	IP56	Grey / Black	ABS-UL94-HB	80	106	53	Emergency Stop' EN418 fail safe, twist to release. Single 'Start' push button, Green actuator.

Emergency Stop & 2 Push Buttons



Product Code	IP Rating	Colour (Cover / Base)	Material	H (mm)	W (mm)	D (mm)	Description
1DE.03.01AG	IP56	Grey / Grey	ABS-UL94-HB	80	139	53	Emergency Stop' EN418 fail safe, twist to release. Double 'Up / Down' push buttons, Green actuators.
1DE.03.01AB	IP56	Grey / Black	ABS-UL94-HB	80	139	53	Emergency Stop' EN418 fail safe, twist to release. Double 'Up / Down' push buttons, Green actuators.

2 & 3 Push Buttons



1DE.02.02AG	IP66	Grey / Grey	ABS-UL94-HB	80	106	53	Double push button - 'Start' push button, Green actuator & 'Stop' push button, Red actuator.
1DE.02.02AB	IP66	Grey / Black	ABS-UL94-HB	80	106	53	Double push button - 'Start' push button, Green actuator & 'Stop' push button, Red actuator.
1DE.03.02AG	IP66	Grey / Grey	ABS-UL94-HB	80	106	53	Double push button - 'FWD / REV' push buttons, Green actuators & 'Stop' push button, Red actuator.
1DE.03.02AB	IP66	Grey / Black	ABS-UL94-HB	80	106	53	Double push button - 'FWD / REV' push buttons, Green actuators & 'Stop' push button, Red actuator.

Accessories

Cable Glands



DECGG	IP68	Grey	Polyamide 6	29.2	10	N/A	Grey Cable Gland POLY6 IP68, Fits All Sizes Of Enclosures, M20 X 1.5mm Thread Glands
DECGB	IP68	Black	Polyamide 6	29.2	10	N/A	Black Cable Gland POLY6 IP68, Fits All Sizes Of Enclosures, M20 X 1.5mm Thread Glands

Mounting Brackets



DEDB	N/A	Black	PA66 UL94-V0 Flame Retardant	N/A	N/A	N/A	Snap-On Combi Foot DIN Rail Mounting Bracket In Black PA66 Fits DE01-DE06
DEDG	N/A	Grey	PA66 UL94-V0 Flame Retardant	N/A	N/A	N/A	Snap-On Combi Foot DIN Rail Mounting Bracket In Grey PA66 Fits DE01-DE06
DEFB	N/A	Black	PA66 UL94-V0 Flame Retardant	N/A	N/A	N/A	Snap-On Mounting Bracket In Black PA66 Fits DE01-DE06 2X M3 Fixing Holes
DEFG	N/A	Grey	PA66 UL94-V0 Flame Retardant	N/A	N/A	N/A	Snap-On Mounting Bracket In Grey PA66 Fits DE01-DE06 2X M3 Fixing Holes

Miscellaneous



DB22-H06L	IP65	Transparent	Polycarbonate	N/A	N/A	N/A	Transparent padlock cover
DPB22-D06	N/A	Transparent	Rubber	N/A	N/A	N/A	Transparent rubber boot for rectangular switch
DPPB-P06	N/A	Transparent	Rubber	N/A	N/A	N/A	Rubber cap for round push button
DPPB-O2T	N/A	Grey		N/A	N/A	N/A	Fixing Nut Tool
DM0Y-O1	N/A	Yellow		N/A	N/A	N/A	Yellow Shroud with hole
DM01-OW	N/A	White		N/A	N/A	N/A	White Shroud with hole

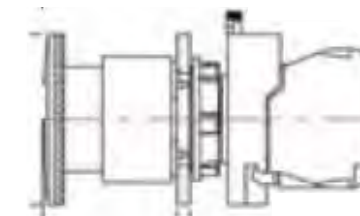
*Enclosure dimensions **Including Actuator

22mm Switches & Pilot Lamps



Features:

- Non Illuminated push button switches available with 12 different heads
- All switches complete with 1 NO and 1 NC contact blocks
- Mechanical life - 1 million operations
- Contact material - Silver Bifurcated and serrated
- Contact rating - AC12 Resistive / AC15 Electromagnetic - 240V (3A) / 415V (1.5A)
- Choice Of Cap colours
- Insulation resistance - >100MΩ @ 500VDC
- Different voltage ratings are available
- Operating Temperature -10 to +65degC



22mm LED Pilot Lamps

Product Code	Suffix x	Suffix y	IP Rating	Colour	Description
DLD22-xy	x = (R)ed (G)reen (Y)ellow (W)hite (S)Blue	y = Lamp Volt (A)AC/DC 24V (E)AC/DC 110V (I)AC/DC 240V	IP66	Red / Green / Yellow / White / Blue	Mono block, flush head
DPL22-xy		IP66	Red / Green / Yellow / White / Blue	Round head, complete with BA9 LED lamp	

22mm Push Buttons - Non Illuminated

DPB22-D11x	x = (R)ed (G)reen (Y)ellow (B)lack (W)hite (S)Blue	N/A	IP56	Red / Green	Double, momentary action
DPB22-E11 x		N/A	IP66	Red / Green / Yellow / Black / White / Blue	Momentary, elevated head
DPB22-F11x		N/A	IP66	Red / Green / Yellow / Black / White / Blue	Momentary, flush head
DPB22-H11x		N/A	IP56	Red	'E-Stop' Push / Pull, twist to release, EN418 fail safe, 40mm mushroom head
DPB22-K11x		N/A	IP56	Red	'E-Stop', key to release, EN418 fail safe, 40mm mushroom head
DPB22-L11x		N/A	IP66	Red / Green / Yellow / Black / White / Blue	Latching, flush head
DPB22-M11x		N/A	IP56	Red / Green / Yellow	Momentary, 40mm mushroom head
DPB22-P11x		N/A	IP66	Red / Green / Yellow / White / Blue	Latching, elevated head
DPB22-R11x		N/A	IP56	Red	'E-Stop', twist to release, EN418 fail safe, 40mm mushroom head
DPB22-S11x		N/A	IP56	Red	'E-Stop' Push / Pull, twist to release, EN418 fail safe, 35mm mushroom head

22mm Push Buttons - LED Illuminated

DLB22-D11xy	x = (R)ed (G)reen (Y)ellow (W)hite	y = Lamp Volt (A)AC/DC 24V (E)AC/DC 110V (I)AC/DC 240V	IP56	Red / Green	Double, momentary action
DLB22-E11 xy			IP66	Red / Green / Yellow / White	Momentary, elevated head
DLB22-F11xy			IP66	Red / Green / Yellow / White	Momentary, flush head
DLB22-L11xy			IP66	Red / Green / Yellow / White	Latching, flush head
DLB22-M11xy			IP56	Red / Green / Yellow	Momentary, 40mm mushroom head
DLB22-P11xy			IP66	Red / Green / Yellow / White	Latching, elevated head
DLB22-R11xy			IP56	Red	'E-Stop', EN418 fail safe, 40mm mushroom head

22mm Selector / Key Switch - Non Illuminated

Product Code	Suffix x	Suffix y	IP Rating	Colour	Description
DSS22-K111B	Black	N/A	IP56	Black	2 position, spring return, key
DSS22-K211B		N/A	IP56	Black	2 position, maintained, key
DSS22-K011B		N/A	IP56	Black	3 position, spring return, key
DSS22-K311B		N/A	IP56	Black	3 position, maintained, key
DSS22-S111B		N/A	IP56	Black	2 position selector, spring return, short lever
DSS22-S211B		N/A	IP56	Black	2 position selector, maintained, short lever
DSS22-S111B		N/A	IP56	Black	2 position selector, spring return, short lever
DSS22-S211B		N/A	IP56	Black	2 position selector, maintained, short lever
DSS22-L111B		N/A	IP56	Black	2 position selector, spring return, long lever
DSS22-L211B		N/A	IP56	Black	2 position selector, maintained, long lever
DSS22-L111B		N/A	IP56	Black	2 position selector, spring return, long lever
DSS22-L211B		N/A	IP56	Black	2 position selector, maintained, long lever

Accessories

DCB-01					N/C contact block (1b)
DCB-10					N/O contact block (1a)
DM01-0Y				Yellow	Yellow shroud
DM01-0W				White	White shroud
DPB22-R01C				Yellow	'Emergency Stop' Yellow legend plate
DPPB22-01C				Black	Legend holder
DPB22-xx				xx = (01)On, (02)Off, (03)Stop, (04)Start, (05)FWD, (06)REV, (07)Up, (08)Down, (09)Run, (10)Off On, (11)OI, (12) On Off On, (13) FWD Off REV, (14) Man Off Auto, (50) Blank	Standard legend label
DBA9-xy	x = (R)ed (G)reen (Y)ellow (W)hite (S)Blue	y = Lamp Volt (A)AC/DC 24V (E)AC/DC 110V (I)AC/DC 240V		Red / Green / Yellow / White / Blue	BA9 LED Lamp
DBA9-T2					BA9 Lamp extraction tool
DBA9-H					Lampholder
DB22-H06L	Clear	Polycarbonate		Clear	Transparent padlock cover
DPB22-D06				Clear	Transparent rubber boot for rectangular switch
DPPB-P06					Rubber cap for round push button
DPPB-02T				Grey	Fixing nut tool

Other Switch Styles Available

22mm Selector / Key Switch - LED Illuminated

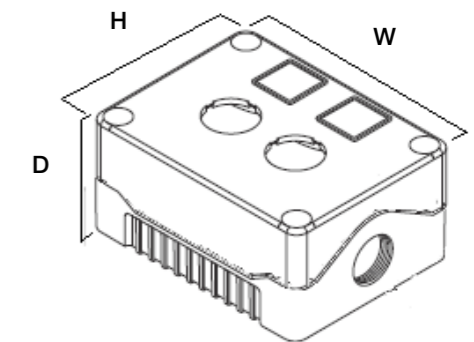
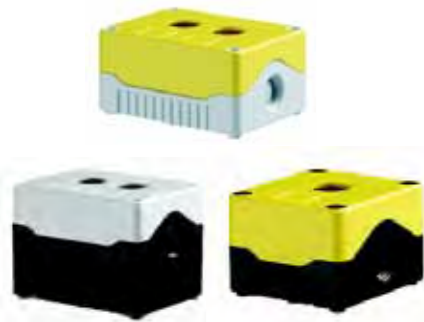
- IP56
- Selector switch
- Normal shaft size
- 2 & 3 position
- IP56
- Selector switch
- Long shaft size
- 2 positions
- IP56
- Selector switch
- Long shaft size
- 3 positions

DE Enclosures - Hole

A range of enclosures supplied complete with 22mm holes for fitting of switches/indicators

Features of Range:

- Complete with M20 cable knockouts
- 4 sizes available in Standard and deep base
- Also available in ABS-UL94 and Polycarbonate
- Unique snap-on DIN rail and flange brackets available
- Sealed to IP67
- Suitable for mounting control switches or enclosing printed circuit boards
- Captive plastic screws in lid



DE01 Enclosure With 1 x 22mm Hole

Product Code	IP rating	Colour (Cover / Base)	Material	Size	H (mm)	W (mm)	D (mm)	Temp Rating	Description
DE01S-A-BB-1	IP67	Black / Black	ABS-UL94-HB	DE01S	80	73	53	-10c to +65c	
DE01S-A-GG-1	IP67	Grey / Grey	ABS-UL94-HB	DE01S	80	73	53	-10c to +65c	
DE01S-A-BG-1	IP67	Black / Grey	ABS-UL94-HB	DE01S	80	73	53	-10c to +65c	
DE01S-A-GB-1	IP67	Grey / Black	ABS-UL94-HB	DE01S	80	73	53	-10c to +65c	
DE01S-A-YB-1	IP67	Yellow / Black	ABS-UL94-HB	DE01S	80	73	53	-10c to +65c	
DE01S-A-YG-1	IP67	Yellow / Grey	ABS-UL94-HB	DE01S	80	73	53	-10c to +65c	
DE01S-P-BB-1	IP67	Black / Black	Polycarbonate	DE01S	80	73	53	-10c to +65c	
DE01S-P-GG-1	IP67	Grey / Grey	Polycarbonate	DE01S	80	73	53	-10c to +65c	
DE01S-A-BG-1	IP67	Black / Grey	Polycarbonate	DE01S	80	73	53	-10c to +65c	
DE01S-A-GB-1	IP67	Grey / Black	Polycarbonate	DE01S	80	73	53	-10c to +65c	
DE01S-P-YB-1	IP67	Yellow / Black	Polycarbonate	DE01S	80	73	53	-10c to +65c	
DE01S-P-YG-1	IP67	Yellow / Grey	Polycarbonate	DE01S	80	73	53	-10c to +65c	



DE02 Deep Base - 78mm

Product Code	IP rating	Colour (Cover / Base)	Material	Size	H (mm)	W (mm)	D (mm)	Temp Rating	Description
DE02D-A-BB-2	IP67	Black / Black	ABS-UL94-HB	DE02D	80	106	78	-10c to +65c	
DE02D-A-GG-2	IP67	Grey / Grey	ABS-UL94-HB	DE02D	80	106	78	-10c to +65c	
DE02D-A-BG-2	IP67	Black / Grey	ABS-UL94-HB	DE02D	80	106	78	-10c to +65c	
DE02D-A-GB-2	IP67	Grey / Black	ABS-UL94-HB	DE02D	80	106	78	-10c to +65c	
DE02D-A-YB-2	IP67	Yellow / Black	ABS-UL94-HB	DE02D	80	106	78	-10c to +65c	
DE02D-A-YG-2	IP67	Yellow / Grey	ABS-UL94-HB	DE02D	80	106	78	-10c to +65c	
DE02D-P-BB-2	IP67	Black / Black	Polycarbonate	DE02D	80	106	78	-10c to +65c	
DE02D-P-GG-2	IP67	Grey / Grey	Polycarbonate	DE02D	80	106	78	-10c to +65c	
DE02D-A-BG-2	IP67	Black / Grey	Polycarbonate	DE02D	80	106	78	-10c to +65c	
DE02D-A-GB-2	IP67	Grey / Black	Polycarbonate	DE02D	80	106	78	-10c to +65c	
DE02D-P-YB-2	IP67	Yellow / Black	Polycarbonate	DE02D	80	106	78	-10c to +65c	
DE02D-P-YG-2	IP67	Yellow / Grey	Polycarbonate	DE02D	80	106	78	-10c to +65c	



DE01 Deep Base - 78mm

Product Code	IP rating	Colour (Cover / Base)	Material	Size	H (mm)	W (mm)	D (mm)	Temp Rating	Description
DE01D-A-BB-1	IP67	Black / Black	ABS-UL94-HB	DE01D	80	73	78	-10c to +65c	
DE01D-A-GG-1	IP67	Grey / Grey	ABS-UL94-HB	DE01D	80	73	78	-10c to +65c	
DE01D-A-BG-1	IP67	Black / Grey	ABS-UL94-HB	DE01D	80	73	78	-10c to +65c	
DE01D-A-GB-1	IP67	Grey / Black	ABS-UL94-HB	DE01D	80	73	78	-10c to +65c	
DE01D-A-YB-1	IP67	Yellow / Black	ABS-UL94-HB	DE01D	80	73	78	-10c to +65c	
DE01D-A-YG-1	IP67	Yellow / Grey	ABS-UL94-HB	DE01D	80	73	78	-10c to +65c	
DE01D-P-BB-1	IP67	Black / Black	Polycarbonate	DE01D	80	73	78	-10c to +65c	
DE01D-P-GG-1	IP67	Grey / Grey	Polycarbonate	DE01D	80	73	78	-10c to +65c	
DE01D-A-BG-1	IP67	Black / Grey	Polycarbonate	DE01D	80	73	78	-10c to +65c	
DE01D-A-GB-1	IP67	Grey / Black	Polycarbonate	DE01D	80	73	78	-10c to +65c	
DE01D-P-YB-1	IP67	Yellow / Black	Polycarbonate	DE01D	80	73	78	-10c to +65c	
DE01D-P-YG-1	IP67	Yellow / Grey	Polycarbonate	DE01D	80	73	78	-10c to +65c	



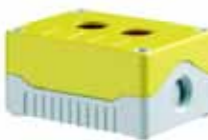
DE03 Enclosure with 3x22mm Hole

Product Code	IP rating	Colour (Cover / Base)	Material	Size	H (mm)	W (mm)	D (mm)	Temp Rating	Description
DE03S-A-BB-3	IP67	Black / Black	ABS-UL94-HB	DE03S	80	139	53	-10c to +65c	
DE03S-A-GG-3	IP67	Grey / Grey	ABS-UL94-HB	DE03S	80	139	53	-10c to +65c	
DE03S-A-BG-3	IP67	Black / Grey	ABS-UL94-HB	DE03S	80	139	53	-10c to +65c	
DE03S-A-GB-3	IP67	Grey / Black	ABS-UL94-HB	DE03S	80	139	53	-10c to +65c	
DE03S-A-YB-3	IP67	Yellow / Black	ABS-UL94-HB	DE03S	80	139	53	-10c to +65c	
DE03S-A-YG-3	IP67	Yellow / Grey	ABS-UL94-HB	DE03S	80	139	53	-10c to +65c	
DE03S-P-BB-3	IP67	Black / Black	Polycarbonate	DE03S	80	139	53	-10c to +65c	
DE03S-P-GG-3	IP67	Grey / Grey	Polycarbonate	DE03S	80	139	53	-10c to +65c	
DE03S-A-BG-3	IP67	Black / Grey	Polycarbonate	DE03S	80	139	53	-10c to +65c	
DE03S-A-GB-3	IP67	Grey / Black	Polycarbonate	DE03S	80	139	53	-10c to +65c	
DE03S-P-YB-3	IP67	Yellow / Black	Polycarbonate	DE03S	80	139	53	-10c to +65c	
DE03S-P-YG-3	IP67	Yellow / Grey	Polycarbonate	DE03S	80	139	53	-10c to +65c	



DE02 Enclosure with 2x22mm Hole

Product Code	IP rating	Colour (Cover / Base)	Material	Size	H (mm)	W (mm)	D (mm)	Temp Rating	Description
DE02S-A-BB-2	IP67	Black / Black	ABS-UL94-HB	DE02S	80	106	53	-10c to +65c	
DE02S-A-GG-2	IP67	Grey / Grey	ABS-UL94-HB	DE02S	80	106	53	-10c to +65c	
DE02S-A-BG-2	IP67	Black / Grey	ABS-UL94-HB	DE02S	80	106	53	-10c to +65c	
DE02S-A-GB-2	IP67	Grey / Black	ABS-UL94-HB	DE02S	80	106	53	-10c to +65c	
DE02S-A-YB-2	IP67	Yellow / Black	ABS-UL94-HB	DE02S	80	106	53	-10c to +65c	
DE02S-A-YG-2	IP67	Yellow / Grey	ABS-UL94-HB	DE02S	80	106	53	-10c to +65c	
DE02S-P-BB-2	IP67	Black / Black	Polycarbonate	DE02S	80	106	53	-10c to +65c	
DE02S-P-GG-2	IP67	Grey / Grey	Polycarbonate	DE02S	80	106	53	-10c to +65c	
DE02S-A-BG-2	IP67	Black / Grey	Polycarbonate	DE02S	80	106	53	-10c to +65c	
DE02S-A-GB-2	IP67	Grey / Black	Polycarbonate	DE02S	80	106	53	-10c to +65c	
DE02S-P-YB-2	IP67	Yellow / Black	Polycarbonate	DE02S	80	106	53	-10c to +65c	
DE02S-P-YG-2	IP67	Yellow / Grey	Polycarbonate	DE02S	80	106	53	-10c to +65c	



DE03 Deep Base - 78mm

Product Code	IP rating	Colour (Cover / Base)	Material	Size	H (mm)	W (mm)	D (mm)	Temp Rating	Description
DE03D-A-BB-3	IP67	Black / Black	ABS-UL94-HB	DE03D	80	139	78	-10c to +65c	
DE03D-A-GG-3	IP67	Grey / Grey	ABS-UL94-HB	DE03D	80	139	78	-10c to +65c	
DE03D-A-BG-3	IP67	Black / Grey	ABS-UL94-HB	DE03D	80	139	78	-10c to +65c	
DE03D-A-GB-3	IP67	Grey / Black	ABS-UL94-HB	DE03D	80	139	78	-10c to +65c	
DE03D-A-YB-3	IP67	Yellow / Black	ABS-UL94-HB	DE03D	80	139	78	-10c to +65c	
DE03D-A-YG-3	IP67	Yellow / Grey	ABS-UL94-HB	DE03D	80	139	78	-10c to +65c	
DE03D-P-BB-3	IP67	Black / Black	Polycarbonate	DE03D	80	139	78	-10c to +65c	
DE03D-P-GG-3	IP67	Grey / Grey	Polycarbonate	DE03D	80	139	78	-10c to +65c	
DE03D-A-BG-3	IP67	Black / Grey	Polycarbonate	DE03D	80	139	78	-10c to +65c	
DE03D-A-GB-3	IP67	Grey / Black	Polycarbonate	DE03D	80	139	78	-10c to +65c	
DE03D-P-YB-3	IP67	Yellow / Black	Polycarbonate	DE03D	80	139	78	-10c to +65c	
DE03D-P-YG-3	IP67	Yellow / Grey	Polycarbonate	DE03D	80	139	78	-10c to +65c	



DE Enclosures - Hole

DE04 Enclosures with 4x22mm Hole

Product Code	IP rating	Colour (Cover / Base)	Material	Size	H (mm)	W (mm)	D (mm)	Temp Rating	Description
DE04S-A-BB-4	IP67	Black/ Black	ABS-UL94-HB	DE04S	80	172	53	-10c to +65c	
DE04S-A-GG-4	IP67	Grey/ Grey	ABS-UL94-HB	DE04S	80	172	53	-10c to +65c	
DE04S-A-BG-4	IP67	Black /Grey	ABS-UL94-HB	DE04S	80	172	53	-10c to +65c	
DE04S-A-GB-4	IP67	Grey/ Black	ABS-UL94-HB	DE04S	80	172	53	-10c to +65c	
DE04S-A-YB-4	IP67	Yellow/ Black	ABS-UL94-HB	DE04S	80	172	53	-10c to +65c	
DE04S-A-YG-4	IP67	Yellow/ Grey	ABS-UL94-HB	DE04S	80	172	53	-10c to +65c	
DE04S-P-BB-4	IP67	Black/ Black	Polycarbonate	DE04S	80	172	53	-10c to +65c	
DE04S-P-GG-4	IP67	Grey/ Grey	Polycarbonate	DE04S	80	172	53	-10c to +65c	
DE04S-A-BG-4	IP67	Black /Grey	Polycarbonate	DE04S	80	172	53	-10c to +65c	
DE04S-A-GB-4	IP67	Grey/ Black	Polycarbonate	DE04S	80	172	53	-10c to +65c	
DE04S-P-YB-4	IP67	Yellow/ Black	Polycarbonate	DE04S	80	172	53	-10c to +65c	
DE04S-P-YG-4	IP67	Yellow/ Grey	Polycarbonate	DE04S	80	172	53	-10c to +65c	



DE04 Deep Base - 78mm

Product Code	IP rating	Colour (Cover / Base)	Material	Size	H (mm)	W (mm)	D (mm)	Temp Rating	Description
DE04D-A-BB-4	IP67	Black/ Black	ABS-UL94-HB	DE04D	80	172	78	-10c to +65c	
DE04D-A-GG-4	IP67	Grey/ Grey	ABS-UL94-HB	DE04D	80	172	78	-10c to +65c	
DE04D-A-BG-4	IP67	Black /Grey	ABS-UL94-HB	DE04D	80	172	78	-10c to +65c	
DE04D-A-GB-4	IP67	Grey/ Black	ABS-UL94-HB	DE04D	80	172	78	-10c to +65c	
DE04D-A-YB-4	IP67	Yellow/ Black	ABS-UL94-HB	DE04D	80	172	78	-10c to +65c	
DE04D-A-YG-4	IP67	Yellow/ Grey	ABS-UL94-HB	DE04D	80	172	78	-10c to +65c	
DE04D-P-BB-4	IP67	Black/ Black	Polycarbonate	DE04D	80	172	78	-10c to +65c	
DE04D-P-GG-4	IP67	Grey/ Grey	Polycarbonate	DE04D	80	172	78	-10c to +65c	
DE04D-A-BG-4	IP67	Black /Grey	Polycarbonate	DE04D	80	172	78	-10c to +65c	
DE04D-A-GB-4	IP67	Grey/ Black	Polycarbonate	DE04D	80	172	78	-10c to +65c	
DE04D-P-YB-4	IP67	Yellow/ Black	Polycarbonate	DE04D	80	172	78	-10c to +65c	
DE04D-P-YG-4	IP67	Yellow/ Grey	Polycarbonate	DE04D	80	172	78	-10c to +65c	



Accessories

Cable Glands - Grey

Product Code	IP rating	Colour	Material	Size	H (mm)	W (mm)	D (mm)	Temp Rating	Description
DECGG	IP68	RAL7035	Polyamide 6	M20	39.2	10	3.5 to 8	-40C TO + 100C	Fits all sizes of enclosures, m20 x 1.5Mm thread glands



Cable Glands - Black

Product Code	IP rating	Colour	Material	Size	H (mm)	W (mm)	D (mm)	Temp Rating	Description
DECEB	IP68	RAL9005	Polyamide 6	M20	39.2	10	3.5 to 8	-40C TO + 100C	Fits all sizes of enclosures, m20 x 1.5Mm thread glands

DIN Rail Clip

Product Code	IP rating	Colour	Material	Size	H (mm)	W (mm)	D (mm)	Temp Rating	Description
DEDB	N/A	Black	PA66 UL94-V0 Flame Retardant	N/A	N/A	N/A	N/A	N/A	Snap-On combi foot din rail mounting bracket in black pa66 fits de01-de06
DEDG	N/A	Grey	PA66 UL94-V0 Flame Retardant	N/A	N/A	N/A	N/A	N/A	Snap-On combi foot din rail mounting bracket in grey pa66 fits de01-de06



Flange Bracket

Product Code	IP rating	Colour	Material	Size	H (mm)	W (mm)	D (mm)	Temp Rating	Description
DEFB	N/A	Black	PA66 UL94-V0 Flame Retardant	N/A	N/A	N/A	N/A	N/A	Snap-On mounting bracket in black PA66 fits DE01-DE06 2x M3 fixing holes
DEFG	N/A	Grey	PA66 UL94-V0 Flame Retardant	N/A	N/A	N/A	N/A	N/A	Snap-On mounting bracket in grey PA66 fits DE01-DE06 2x M3 fixing holes



Legends

Product Code	IP rating	Colour (Cover / Base)	Material	Size	H (mm)	W (mm)	D (mm)	Legend	Description
NCU-61-01	N/A	Silver	Self-Adhesive Plastic	N/A	18	18	18	On	Legend for use with DE Enclosures
NCU-61-02	N/A	Silver	Self-Adhesive Plastic	N/A	18	18	18	Off	
NCU-61-03	N/A	Silver	Self-Adhesive Plastic	N/A	18	18	18	Start	
NCU-61-04	N/A	Silver	Self-Adhesive Plastic	N/A	18	18	18	Stop	
NCU-61-05	N/A	Silver	Self-Adhesive Plastic	N/A	18	18	18	Fwd	
NCU-61-06	N/A	Silver	Self-Adhesive Plastic	N/A	18	18	18	Rev	
NCU-61-07	N/A	Silver	Self-Adhesive Plastic	N/A	18	18	18	Up	
NCU-61-08	N/A	Silver	Self-Adhesive Plastic	N/A	18	18	18	Down	
NCU-61-09	N/A	Silver	Self-Adhesive Plastic	N/A	18	18	18	Fast	
NCU-61-10	N/A	Silver	Self-Adhesive Plastic	N/A	18	18	18	Slow	
NCU-61-11	N/A	Silver	Self-Adhesive Plastic	N/A	18	18	18	Open	
NCU-61-12	N/A	Silver	Self-Adhesive Plastic	N/A	18	18	18	Close	
NCU-61-13	N/A	Silver	Self-Adhesive Plastic	N/A	18	18	18	Reset	
NCU-61-14	N/A	Silver	Self-Adhesive Plastic	N/A	18	18	18	Em.Stop	
NCU-61-15	N/A	Silver	Self-Adhesive Plastic	N/A	18	18	18	I O	
NCU-61-16	N/A	Silver	Self-Adhesive Plastic	N/A	18	18	18	On/Off	
NCU-61-17	N/A	Silver	Self-Adhesive Plastic	N/A	18	18	18	Start/Stop	
NCU-61-18	N/A	Silver	Self-Adhesive Plastic	N/A	18	18	18	Fwd/Rev	
NCU-61-19	N/A	Silver	Self-Adhesive Plastic	N/A	18	18	18	Up/Down	
NCU-61-20	N/A	Silver	Self-Adhesive Plastic	N/A	18	18	18	Fast/Slow	
NCU-61-21	N/A	Silver	Self-Adhesive Plastic	N/A	18	18	18	Open/Close	
NCU-61-22	N/A	Silver	Self-Adhesive Plastic	N/A	18	18	18	O I	
NCU-61-23	N/A	Silver	Self-Adhesive Plastic	N/A	18	18	18	Off/On	
NCU-61-24	N/A	Silver	Self-Adhesive Plastic	N/A	18	18	18	Stop/Start	
NCU-61-25	N/A	Silver	Self-Adhesive Plastic	N/A	18	18	18	Rev/Fwd	
NCU-61-26	N/A	Silver	Self-Adhesive Plastic	N/A	18	18	18	Down/Up	
NCU-61-27	N/A	Silver	Self-Adhesive Plastic	N/A	18	18	18	Slow/Fast	
NCU-61-28	N/A	Silver	Self-Adhesive Plastic	N/A	18	18	18	Close/Open	
NCU-61-29	N/A	Silver	Self-Adhesive Plastic	N/A	18	18	18	←	
NCU-61-30	N/A	Silver	Self-Adhesive Plastic	N/A	18	18	18	← →	



Legend for use with DE Enclosures

DE Enclosures - No Hole



DE Enclosure Features:

- 4 sizes available - standard & deep base
- Sealed to IP67
- Complete with M20 cable knockouts
- Captive plastic screws in lid
- Available in standard and deep base
- Suitable for enclosing printed circuit boards
- Unique snap-on DIN rail and flange brackets available
- Also available in ABS-UL94 and Polycarbonate
- Temperature rating of -10° to +65°



DE01 Enclosure Standard Base - 53mm



Product Code	IP Rating	Colour	Material	Size	H (mm)	W (mm)	D (mm)	Temp Rating
DE01S-A-BB-0	IP67	Black / Black	ABS-UL94-HB	DE01S	80	73	53	-10c to +65c
DE01S-A-GG-0	IP67	Grey / Grey	ABS-UL94-HB	DE01S	80	73	53	-10c to +65c
DE01S-A-BG-0	IP67	Black / Grey	ABS-UL94-HB	DE01S	80	73	53	-10c to +65c
DE01S-A-GB-0	IP67	Grey / Black	ABS-UL94-HB	DE01S	80	73	53	-10c to +65c
DE01S-A-TB-0	IP67	Transparent / Black	ABS-UL94-HB	DE01S	80	73	53	-10c to +65c
DE01S-A-TG-0	IP67	Transparent / Grey	ABS-UL94-HB	DE01S	80	73	53	-10c to +65c
DE01S-P-BB-0	IP67	Black / Black	Polycarbonate	DE01S	80	73	53	-10c to +65c
DE01S-P-GG-0	IP67	Grey / Grey	Polycarbonate	DE01S	80	73	53	-10c to +65c
DE01S-A-BG-0	IP67	Black / Grey	Polycarbonate	DE01S	80	73	53	-10c to +65c
DE01S-A-GB-0	IP67	Grey / Black	Polycarbonate	DE01S	80	73	53	-10c to +65c
DE01S-P-TB-0	IP67	Transparent / Black	Polycarbonate	DE01S	80	73	53	-10c to +65c
DE01S-P-TG-0	IP67	Transparent / Grey	Polycarbonate	DE01S	80	73	53	-10c to +65c

DE01 Deep Base - 78mm



Product Code	IP Rating	Colour	Material	Size	H (mm)	W (mm)	D (mm)	Temp Rating
DE01D-A-BB-0	IP67	Black / Black	ABS-UL94-HB	DE01D	80	73	78	-10c to +65c
DE01D-A-GG-0	IP67	Grey / Grey	ABS-UL94-HB	DE01D	80	73	78	-10c to +65c
DE01D-A-BG-0	IP67	Black / Grey	ABS-UL94-HB	DE01D	80	73	78	-10c to +65c
DE01D-A-GB-0	IP67	Grey / Black	ABS-UL94-HB	DE01D	80	73	78	-10c to +65c
DE01D-A-TB-0	IP67	Transparent / Black	ABS-UL94-HB	DE01D	80	73	78	-10c to +65c
DE01D-A-TG-0	IP67	Transparent / Grey	ABS-UL94-HB	DE01D	80	73	78	-10c to +65c
DE01D-P-BB-0	IP67	Black / Black	Polycarbonate	DE01D	80	73	78	-10c to +65c
DE01D-P-GG-0	IP67	Grey / Grey	Polycarbonate	DE01D	80	73	78	-10c to +65c
DE01D-A-BG-0	IP67	Black / Grey	Polycarbonate	DE01D	80	73	78	-10c to +65c
DE01D-A-GB-0	IP67	Grey / Black	Polycarbonate	DE01D	80	73	78	-10c to +65c
DE01D-P-TB-0	IP67	Transparent / Black	Polycarbonate	DE01D	80	73	78	-10c to +65c
DE01D-P-TG-0	IP67	Transparent / Grey	Polycarbonate	DE01D	80	73	78	-10c to +65c

DE02 Enclosure Standard Base 53mm



Product Code	IP Rating	Colour	Material	Size	H (mm)	W (mm)	D (mm)	Temp Rating
DE02S-A-BB-0	IP67	Black / Black	ABS-UL94-HB	DE02S	80	106	53	-10c to +65c
DE02S-A-GG-0	IP67	Grey / Grey	ABS-UL94-HB	DE02S	80	106	53	-10c to +65c
DE02S-A-BG-0	IP67	Black / Grey	ABS-UL94-HB	DE02S	80	106	53	-10c to +65c
DE02S-A-GB-0	IP67	Grey / Black	ABS-UL94-HB	DE02S	80	106	53	-10c to +65c
DE02S-A-TB-0	IP67	Transparent / Black	ABS-UL94-HB	DE02S	80	106	53	-10c to +65c
DE02S-A-TG-0	IP67	Transparent / Grey	ABS-UL94-HB	DE02S	80	106	53	-10c to +65c
DE02S-P-BB-0	IP67	Black / Black	Polycarbonate	DE02S	80	106	53	-10c to +65c
DE02S-P-GG-0	IP67	Grey / Grey	Polycarbonate	DE02S	80	106	53	-10c to +65c
DE02S-A-BG-0	IP67	Black / Grey	Polycarbonate	DE02S	80	106	53	-10c to +65c
DE02S-A-GB-0	IP67	Grey / Black	Polycarbonate	DE02S	80	106	53	-10c to +65c
DE02S-P-TB-0	IP67	Transparent / Black	Polycarbonate	DE02S	80	106	53	-10c to +65c
DE02S-P-TG-0	IP67	Transparent / Grey	Polycarbonate	DE02S	80	106	53	-10c to +65c

DE02 Deep Base - 78mm

Product Code	IP Rating	Colour	Material	Size	H (mm)	W (mm)	D (mm)	Temp Rating
DE02D-A-BB-0	IP67	Black / Black	ABS-UL94-HB	DE02D	80	106	78	-10c to +65c
DE02D-A-GG-0	IP67	Grey / Grey	ABS-UL94-HB	DE02D	80	106	78	-10c to +65c
DE02D-A-BG-0	IP67	Black / Grey	ABS-UL94-HB	DE02D	80	106	78	-10c to +65c
DE02D-A-GB-0	IP67	Grey / Black	ABS-UL94-HB	DE02D	80	106	78	-10c to +65c
DE02D-A-TB-0	IP67	Transparent / Black	ABS-UL94-HB	DE02D	80	106	78	-10c to +65c
DE02D-A-TG-0	IP67	Transparent / Grey	ABS-UL94-HB	DE02D	80	106	78	-10c to +65c
DE02D-P-BB-0	IP67	Black / Black	Polycarbonate	DE02D	80	106	78	-10c to +65c
DE02D-P-GG-0	IP67	Grey / Grey	Polycarbonate	DE02D	80	106	78	-10c to +65c
DE02D-A-BG-0	IP67	Black / Grey	Polycarbonate	DE02D	80	106	78	-10c to +65c
DE02D-A-GB-0	IP67	Grey / Black	Polycarbonate	DE02D	80	106	78	-10c to +65c
DE02D-P-TB-0	IP67	Transparent / Black	Polycarbonate	DE02D	80	106	78	-10c to +65c
DE02D-P-TG-0	IP67	Transparent / Grey	Polycarbonate	DE02D	80	106	78	-10c to +65c

DE03 Enclosure Standard Base 53mm

Product Code	IP Rating	Colour	Material	Size	H (mm)	W (mm)	D (mm)	Temp Rating
DE03S-A-BB-0	IP67	Black / Black	ABS-UL94-HB	DE03S	80	139	53	-10c to +65c
DE03S-A-GG-0	IP67	Grey / Grey	ABS-UL94-HB	DE03S	80	139	53	-10c to +65c
DE03S-A-BG-0	IP67	Black / Grey	ABS-UL94-HB	DE03S	80	139	53	-10c to +65c
DE03S-A-GB-0	IP67	Grey / Black	ABS-UL94-HB	DE03S	80	139	53	-10c to +65c
DE03S-A-TB-0	IP67	Transparent / Black	ABS-UL94-HB	DE03S	80	139	53	-10c to +65c
DE03S-A-TG-0	IP67	Transparent / Grey	ABS-UL94-HB	DE03S	80	139	53	-10c to +65c
DE03S-P-BB-0	IP67	Black / Black	Polycarbonate	DE03S	80	139	53	-10c to +65c
DE03S-P-GG-0	IP67	Grey / Grey	Polycarbonate	DE03S	80	139	53	-10c to +65c
DE03S-A-BG-0	IP67	Black / Grey	Polycarbonate	DE03S	80	139	53	-10c to +65c
DE03S-A-GB-0	IP67	Grey / Black	Polycarbonate	DE03S	80	139	53	-10c to +65c
DE03S-P-TB-0	IP67	Transparent / Black	Polycarbonate	DE03S	80	139	53	-10c to +65c
DE03S-P-TG-0	IP67	Transparent / Grey	Polycarbonate	DE03S	80	139	53	-10c to +65c

Deep Base - 78mm

Product Code	IP Rating	Colour	Material	Size	H (mm)	W (mm)	D (mm)	Temp Rating
DE03D-A-BB-0	IP67	Black / Black	ABS-UL94-HB	DE03D	80	139	78	-10c to +65c
DE03D-A-GG-0	IP67	Grey / Grey	ABS-UL94-HB	DE03D	80	139	78	-10c to +65c
DE03D-A-BG-0	IP67	Black / Grey	ABS-UL94-HB	DE03D	80	139	78	-10c to +65c
DE03D-A-GB-0	IP67	Grey / Black	ABS-UL94-HB	DE03D	80	139	78	-10c to +65c
DE03D-A-TB-0	IP67	Transparent / Black	ABS-UL94-HB	DE03D	80	139	78	-10c to +65c
DE03D-A-TG-0	IP67	Transparent / Grey	ABS-UL94-HB	DE03D	80	139	78	-10c to +65c
DE03D-P-BB-0	IP67	Black / Black	Polycarbonate	DE03D	80	139	78	-10c to +65c
DE03D-P-GG-0	IP67	Grey / Grey	Polycarbonate	DE03D	80	139	78	-10c to +65c
DE03D-A-BG-0	IP67	Black / Grey	Polycarbonate	DE03D	80	139	78	-10c to +65c
DE03D-A-GB-0	IP67	Grey / Black	Polycarbonate	DE03D	80	139	78	-10c to +65c
DE03D-P-TB-0	IP67	Transparent / Black	Polycarbonate	DE03D	80	139	78	-10c to +65c
DE03D-P-TG-0	IP67	Transparent / Grey	Polycarbonate	DE03D	80	139	78	-10c to +65c

DE04 Enclosure Standard Base 53mm

Product Code	IP Rating	Colour	Material	Size	H (mm)	W (mm)	D (mm)	Temp Rating
DE04S-A-BB-0	IP67	Black / Black	ABS-UL94-HB	DE04S	80	172	53	-10c to +65c
DE04S-A-GG-0	IP67	Grey / Grey	ABS-UL94-HB	DE04S	80	172	53	-10c to +65c
DE04S-A-BG-0	IP67	Black / Grey	ABS-UL94-HB	DE04S	80	172	53	-10c to +65c
DE04S-A-GB-0	IP67	Grey / Black	ABS-UL94-HB	DE04S	80	172	53	-10c to +65c
DE04S-A-TB-0	IP67	Transparent / Black	ABS-UL94-HB	DE04S	80	172	53	-10c to +65c
DE04S-A-TG-0	IP67	Transparent / Grey	ABS-UL94-HB	DE04S	80	172	53	-10c to +65c
DE04S-P-BB-0	IP67	Black / Black	Polycarbonate	DE04S	80	172	53	-10c to +65c
DE04S-P-GG-0	IP67	Grey / Grey	Polycarbonate	DE04S	80	172	53	-10c to +65c
DE04S-A-BG-0	IP67	Black / Grey	Polycarbonate	DE04S	80	172	53	-10c to +65c
DE04S-A-GB-0	IP67	Grey / Black	Polycarbonate	DE04S	80	172	53	-10c to +65c
DE04S-P-TB-0	IP67	Transparent / Black	Polycarbonate	DE04S	80	172	53	-10c to +65c
DE04S-P-TG-0	IP67	Transparent / Grey	Polycarbonate	DE04S	80	172	53	-10c to +65c



DE Enclosures - No Hole

Deep Base - 78mm

Product Code	IP Rating	Colour	Material	Size	H (mm)	W (mm)	D (mm)	Temp Rating	Description
DE04D-A-BB-0	IP67	Black/ Black	ABS-UL94-HB	DE04D	80	172	78		
DE04D-A-GG-0	IP67	Grey/ Grey	ABS-UL94-HB	DE04D	80	172	78		
DE04D-A-BG-0	IP67	Black /Grey	ABS-UL94-HB	DE04D	80	172	78		
DE04D-A-GB-0	IP67	Grey/ Black	ABS-UL94-HB	DE04D	80	172	78		
DE04D-A-TB-0	IP67	Transparent/ Black	ABS-UL94-HB	DE04D	80	172	78		
DE04D-A-TG-0	IP67	Transparent/ Grey	ABS-UL94-HB	DE04D	80	172	78		
DE04D-P-BB-0	IP67	Black/ Black	Polycarbonate	DE04D	80	172	78		
DE04D-P-GG-0	IP67	Grey/ Grey	Polycarbonate	DE04D	80	172	78		
DE04D-A-BG-0	IP67	Black /Grey	Polycarbonate	DE04D	80	172	78		
DE04D-A-GB-0	IP67	Grey/ Black	Polycarbonate	DE04D	80	172	78		
DE04D-P-TB-0	IP67	Transparent/ Black	Polycarbonate	DE04D	80	172	78		
DE04D-P-TG-0	IP67	Transparent/ Grey	Polycarbonate	DE04D	80	172	78		



Accessories

Cable Glands - Grey

DECGG	IP68	RAL7035	Polyamide 6	M20	39.2	10	3.5 to 8	-40C TO + 100C	Fits all sizes of enclosures, m20 x 1.5mm thread glands
-------	------	---------	-------------	-----	------	----	----------	----------------	---

Cable Glands - Black

DECEB	IP68	RAL9005	Polyamide 6	M20	39.2	10	3.5 to 8	-40C TO + 100C	Fits all sizes of enclosures, m20 x 1.5mm thread glands
-------	------	---------	-------------	-----	------	----	----------	----------------	---

DIN Rail Clip

DEDB	N/A	Black	PA66 UL94-V0 Flame Retardant	N/A					Snap-On combi foot DIN rail mounting bracket in black PA66 fits DE01-DE06
DEDG	N/A	Grey	PA66 UL94-V0 Flame Retardant	N/A					Snap-On combi foot DIN rail mounting bracket in grey PA66 fits DE01-DE06

Flange Bracket

DEFB	N/A	Black	PA66 UL94-V0 Flame Retardant	N/A					Snap-On mounting bracket in black PA66 fits DE01-DE06 2x M3 fixing holes
DEFG	N/A	Grey	PA66 UL94-V0 Flame Retardant	N/A					Snap-On mounting bracket in grey PA66 fits DE01-DE06 2x M3 fixing holes



Door Enclosure Features:

- Available in 8 sizes
- Made from UL approved ABS-HB Flame Retardant plastic
- Designed to meet protection and combustible standards IP65 and IK08
- Comes complete with steel back plate and mounting brackets
- Supplied in grey (RAL 7035) body with solid or transparent door
- Suitable for use in sea salt air conditions and dry dust environments
- Temperature range of -20° to +85°



Blank Door Enclosures



Product Code	IP Rating	Colour	Material	Size	H (mm)	W (mm)	D (mm)	Temp Rating	Description
DED001	IP65	Ral 7035	ABS-HB		300	200	130	-20° to +85°	Lockable, with steel back plate*
DED002	IP65	Ral 7035	ABS-HB		350	250	150	-20° to +85°	Lockable, with steel back plate*
DED004	IP65	Ral 7035	ABS-HB		400	300	170	-20° to +85°	Lockable, with steel back plate*
DED005	IP65	Ral 7035	ABS-HB		400	300	220	-20° to +85°	Lockable, with steel back plate*
DED006	IP65	Ral 7035	ABS-HB		500	350	190	-20° to +85°	Lockable, with steel back plate*
DED007	IP65	Ral 7035	ABS-HB		500	400	240	-20° to +85°	Lockable, with steel back plate*
DED008	IP65	Ral 7035	ABS-HB		600	400	200	-20° to +85°	Lockable, with steel back plate*
DED010	IP65	Ral 7035	ABS-HB		700	500	250	-20° to +85°	Lockable, with steel back plate*

Transparent Door Enclosures



DED011	IP65	Ral 7035/ Transparent Door	ABS-HB Body/ Polycarbonate Door		300	200	130	-20° to +85°	Lockable, with steel back plate*
DED012	IP65	Ral 7035/ Transparent Door	ABS-HB Body/ Polycarbonate Door		350	250	150	-20° to +85°	Lockable, with steel back plate*
DED014	IP65	Ral 7035/ Transparent Door	ABS-HB Body/ Polycarbonate Door		400	300	170	-20° to +85°	Lockable, with steel back plate*
DED015	IP65	Ral 7035/ Transparent Door	ABS-HB Body/ Polycarbonate Door		400	300	220	-20° to +85°	Lockable, with steel back plate*
DED016	IP65	Ral 7035/ Transparent Door	ABS-HB Body/ Polycarbonate Door		500	350	190	-20° to +85°	Lockable, with steel back plate*
DED017	IP65	Ral 7035/ Transparent Door	ABS-HB Body/ Polycarbonate Door		500	400	240	-20° to +85°	Lockable, with steel back plate*
DED018	IP65	Ral 7035/ Transparent Door	ABS-HB Body/ Polycarbonate Door		600	400	200	-20° to +85°	Lockable, with steel back plate*
DED020	IP65	Ral 7035/ Transparent Door	ABS-HB Body/ Polycarbonate Door		700	500	250	-20° to +85°	Lockable, with steel back plate*

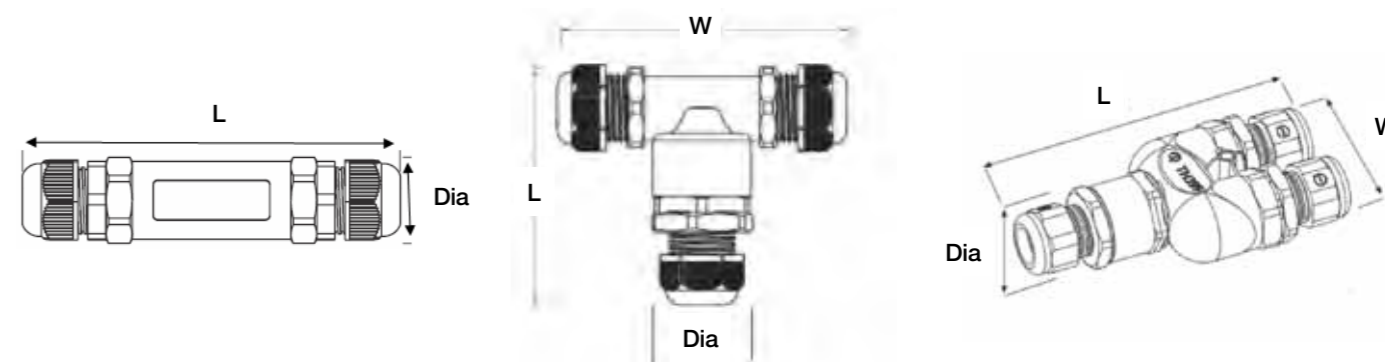
* Galvanised steel resistant to corrosion

IP68 TeeTube



Features:

- Tough, robust construction with large cable range acceptance
- Straight through, T splitter and Y splitter versions available
- Dual terminal versions available for easy fitting and looping of conductors (2+2 and 3+3 poles)
- Temperature rating of -20° to +125°



Standard Series

Product Code	IP Rating	Poles	Colour	Material	Cable Entries	Insert Type	W (mm)	Dia (mm)	L (mm)	Max Cable Diameter (mm)	Max Conductor Size (mm)	Max Current (A)	Description
TTK20BK-SD	68 to 5Bar	3	Black	Nylon 66	2	Barrier	N/A	26.5	115	13	4	32	Standard black 3 pole Teetube supplied complete with mounting kit
TTK20GY-SD	68 to 5Bar	3	Grey	Nylon 66	2	Barrier	N/A	26.5	115	13	4	32	Standard grey 3 pole Teetube supplied complete with mounting kit
TTK20CR-BK	68 to 5Bar	3	Clear	Polycarbonate	2	Barrier	N/A	26.5	115	13	4	32	Clear tube, black glands 3 pole Teetube supplied complete with mounting kit
TTK25BK-SD	68 to 5Bar	5	Black	Nylon 66	2	Barrier	N/A	32	130	17	4	32	Standard black 5 pole Teetube supplied complete with mounting kit
TTK25GY-SD	68 to 5Bar	5	Grey	Nylon 66	2	Barrier	N/A	32	130	17	4	32	Standard grey 5 pole Teetube supplied complete with mounting kit

TH390 Series

THB.390.A1B	68	2	Black	Nylon 66	2	Barrier	N/A	30	82	13.5	4	32	Miniature in-line cable connector
THB.390.A1A	68	3	Black	Nylon 66	2	Barrier	N/A	30	82	13.5	4	32	Miniature in-line cable connector
THB.390.C1B	68	2	Black	Nylon 66	3	Barrier	92	30	73	13.5	4	32	T Style Miniature cable splitter / connector
THB.390.C1A	68	3	Black	Nylon 66	3	Barrier	92	30	73	13.5	4	32	T Style Miniature cable splitter / connector

THB.399 Long Series

THB.399.A3A	68	3	Black	Nylon 66	3	Barrier	63	33	180	13.5	4	32	Y Style Cable splitter / connector, long tube
THB.399.A5A	68	5	Black	Nylon 66	3	Barrier	63	33	180	13.5	4	16	Y Style Cable splitter / connector, long tube
THB.399.A6A	68	6	Black	Nylon 66	3	Barrier	63	33	180	13.5	4	16	Y Style Cable splitter / connector, long tube
THB.399.A9B	68	3 + 3	Black	Nylon 66	3	Through	63	33	180	13.5	4	16	Y Style Cable splitter / connector, long tube
THB.399.D3A	68	3	Black	Nylon 66	3	Barrier	63	33	180	17.5	4	32	Y Style Cable splitter / connector, long tube
THB.399.D5A	68	5	Black	Nylon 66	3	Barrier	63	33	180	17.5	4	16	Y Style Cable splitter / connector, long tube
THB.399.D6A	68	6	Black	Nylon 66	3	Barrier	63	33	180	17.5	4	16	Y Style Cable splitter / connector, long tube
THB.399.D9B	68	3 + 3	Black	Nylon 66	3	Through	63	33	180	17.5	4	16	Y Style Cable splitter / connector, long tube

THB.399 Short Series

THB.399.E3A	68	3	Black	Nylon 66	3	Barrier	63	33	125	13.5	2.5	25	Miniature Y Style Cable splitter / connector
-------------	----	---	-------	----------	---	---------	----	----	-----	------	-----	----	--

THB.401 Series

THB.401.C1A	68	5	Black	Nylon 66	3	Barrier	92	30	121	17	4	32	T Style Cable splitter / connector, long tube
THB.401.C1D	68	6	Black	Nylon 66	3	Barrier	92	30	121	17	4	32	T Style Cable splitter / connector, long tube
THB.401.C2E	68	3+3	Black	Nylon 66	3	Through	92	30	121	17	4	32	T Style Cable splitter / connector, long tube

THB.402 Series

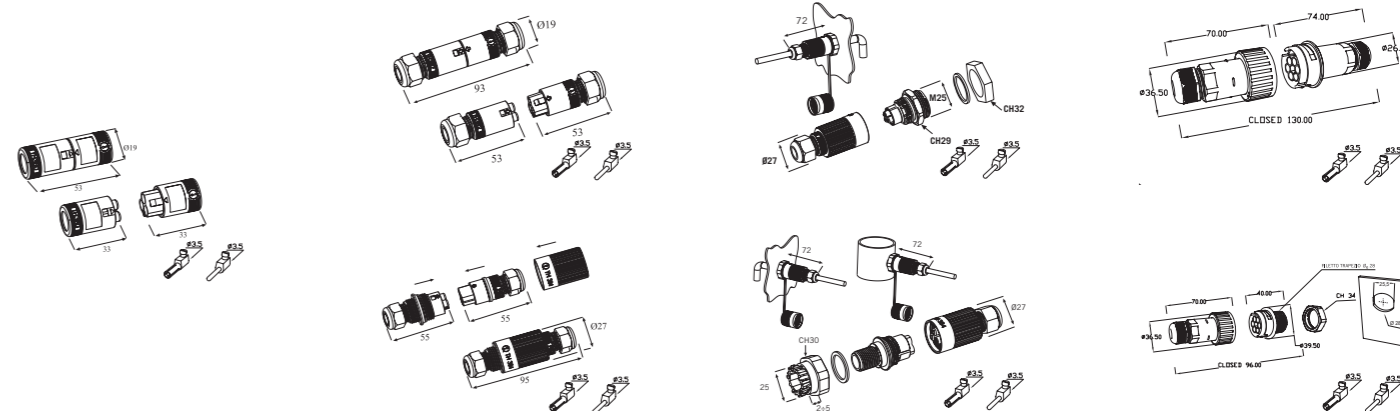
THB.402.C1B	68	5	Black	Nylon 66	3	Barrier	92	30	116	13.5	4	32	T Style Cable splitter / connector, long tube
THB.402.C1A	68	6	Black	Nylon 66	3	Barrier	92	30	116	13.5	4	32	T Style Cable splitter / connector, long tube
THB.402.C2E	68	3+3	Black	Nylon 66	3	Through	92	30	116	13.5	4	32	T Style Cable splitter / connector, long tube

Teepugs



Features:

- Up to IP68 versions available
- Various configurations available
- Components are keyway coded to ensure correct assembly
- All products are quick and simple to install
- Bulkhead/chassis mount options available (depending on product type)
- Temperature range of -20° to +125°
- Grey colour available on request



TH380 Series



Product Code	Poles	IP Rating	Colour	Material	Ø (mm)	L (mm)		Max Conductor Size (mm)	Max Current (A)	Max Voltage (V)	Description
THB.380.A2A	2	20	Black	Nylon 66	19	33		2.5	25	400	Plug
THB.380.A1A	3	20	Black	Nylon 66	19	33		2.5	25	400	Plug
THB.380.B2A	2	20	Black	Nylon 66	19	33		2.5	25	400	Socket
THB.380.B1A	3	20	Black	Nylon 66	19	33		2.5	25	400	Socket

TH382 Series



THB.382.A2A	2	40	Black	Nylon 66	19	53		1.5	16	400	Plug
THB.382.A1A	3	40	Black	Nylon 66	19	53		1.5	16	400	Plug
THB.382.B2A	2	40	Black	Nylon 66	19	53		1.5	16	400	Socket
THB.382.B1A	3	40	Black	Nylon 66	19	53		1.5	16	400	Socket

TH384 Series



THB.384.A2A	2	68	Black	Nylon 66	27	55		1.5	16	400	Plug
THB.384.A1A	3	68	Black	Nylon 66	27	55		1.5	16	400	Plug
THB.384.B2A	2	68	Black	Nylon 66	27	55		1.5	16	400	Socket
THB.384.B1A	3	68	Black	Nylon 66	27	55		1.5	16	400	Socket
THB.384.3KIT	3	68	Black	Nylon 66	27	55		1.5	16	400	Plug and Socket Kit supplied complete with M20 lock nut for panel mounting

TH385 Series - Panel Mount



THB.385.A2A	2	68	Black	Nylon 66	28	35		1.5	16	400	Chassis mounting plug supplied complete with locknut. For applicable socket see TH384 series
THB.385.B2A	3	68	Black	Nylon 66	28	35		1.5	16	400	Chassis mounting plug supplied complete with locknut. For applicable socket see TH384 series

TH386 Series - Panel Mount



THB.386.A2A	2	67	Black	Nylon 66	30	35		1.5	16	400	Self locking chassis mounting plug (no rear locknut required but requires locking tool/dust cap).
THB.386.B2A	3	67	Black	Nylon 66	30	35		1.5	16	400	Self locking chassis mounting plug (no rear locknut required but requires locking tool/dust cap).
6DB00200C			Black	Nylon 66							Dust Cap / locking tool
THB.386.A1A-KIT	3	67	Black	Nylon 66	30	78		1.5	16	400	Kit comprising of self locking chassis mounting plug (no rear locknut required), mating socket and dust cap

Teepugs



TH405 Series

Product Code	Poles	IP Rating	Colour	Material	Ø (mm)	L (mm)		Max Conductor Size (mm)	Max Current (A)	Max Voltage (V)	Description
THB.405.A2B	3	68	Black	Nylon 66	36.5	74		2.5	25	400	Plug
THB.405.A2A	5	68	Black	Nylon 66	36.5	74		1.5	16	400	Plug
THB.405.A2E	6	68	Black	Nylon 66	36.5	74		1.5	16	400	Plug
THB.405.B2B	3	68	Black	Nylon 66	36.5	70		2.5	25	400	Socket
THB.405.B2A	5	68	Black	Nylon 66	36.5	70		1.5	16	400	Socket
THB.405.B2E	6	68	Black	Nylon 66	36.5	70		1.5	16	400	Socket
THB.405.A2B-KIT	3	68	Black	Nylon 66	36.5	130		2.5	25	400	Plug & Socket Kit complete with assy tool
THB.405.RPKIT	5	68	Black	Nylon 66	36.5	130		1.5	16	400	Plug & Socket Kit complete with assy tool
600012200	3										3 pole assy tool
600009600	5										5 pole assy tool
6DB00750C	6		Black	Nylon 66							Combined 6 pole assy tool and dust cap

TH406 Series - Panel Mount

THB.406.A1B	3	68	Black	Nylon 66	39.5	40		2.5	25	400	Chassis mounting plug supplied complete with anti vibration locknut. Mates to TH405 series power socket
THB.406.A1A	5	68	Black	Nylon 66	39.5	40		1.5	16	400	Chassis mounting plug supplied complete with anti vibration locknut. Mates to TH405 series power socket
THB.406.A1E	6	68	Black	Nylon 66	39.5	40		1.5	16	400	Chassis mounting plug supplied complete with anti vibration locknut. Mates to TH405 series power socket

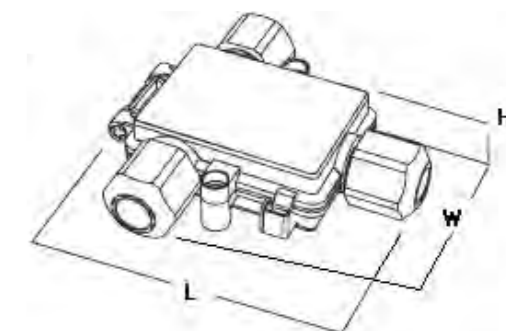
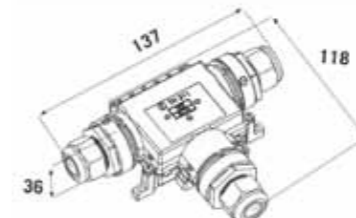
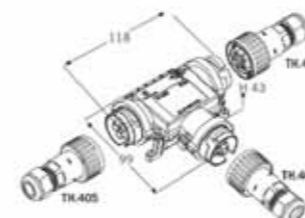
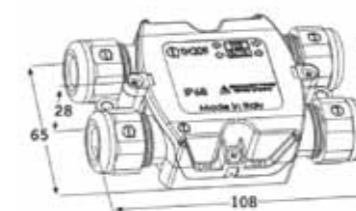
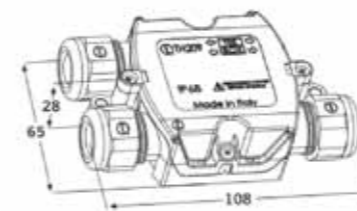
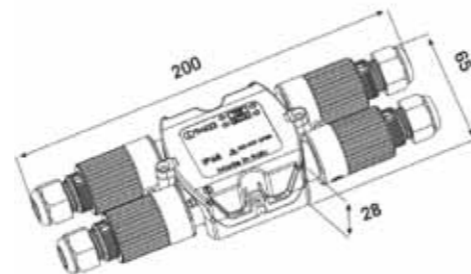


TeeBox



Features:

- Comprehensive range of connection options
- Protection rating up to IP68 depending on product
- Unique 3 pole T connector TH029 available for use in TH209 & TH211 range, no cable forming required
- TH211 available as full KIT version complete with TH029 fitted
- Power distribution products available in 3 port (TH630) and 4 port (TH62) versions
- Temperature range of -20° to +125°



TH110 Series



Product Code	IP Rating	Poles	Colour	Material	Cable Entries	Insert Type	H (mm)	W (mm)	L (mm)	Max Cable Diameter (mm)	Max Conductor Size (mm)	Max Current (A)	Max Voltage (V)	Description
THB.110.C3B	44	3	Natural	Nylon 66	2	Through	12.5	27	75	10	2.5	24	450	In-line connector with integrated terminals and cable retention clamps.
THB.110.C6B	44	3	Natural	Nylon 66	2	Wire Protected	11.5	27	75	10	2.5	24	450	In-line connector with integrated terminals and cable retention clamps.

TH112 Series



THP.112.A3A	54	3	Black	Nylon 66	2	Insulation piercing screw and crimp	12.6	21.2	46.3		1.5	17.5	450	Fast fit in-line connector with insulation screw to crimp terminals.
6000287CA			Natural	Nylon 66	2		17	36	75					Screw mount carrier with cable retention clamps for TH112 connectors.

TH200 Series



THK.200.C2E	67	3	Black	Nylon 66	3	Barrier	20	41	82	9.5	2.5	25	450	T splitter (three cables), includes terminal block and fixing kit
-------------	----	---	-------	----------	---	---------	----	----	----	-----	-----	----	-----	---

TH209 Series



THA.209.A1B	54		Black	Nylon 66	4		28	65	108	14				Junction box suitable for use directly with terminal block TH032 or with TH026 / TH027 with support plate 6000175CC
THA.209.A1A	68		Black	Nylon 66	4		28	65	108	14				
THA.209.A1A8PKIT	68	8	Black	Nylon 66	4	Barrier	28	65	108	14	4	32	450	Junction box supplied complete with 8 pole (1x3 and 1x5 pole) connector mounted on support plate
THA.209.D1B	54		Black	Nylon 66	3		28	65	108	14				Junction box suitable for use directly with terminal block TH032 or with TH026 / TH027 with support plate 6000175CC
THA.209.D1A	68		Black	Nylon 66	3		28	65	108	14				



TeeBox



TH211 Series

Product Code	IP Rating	Poles	Colour	Material	Cable Entries	Insert Type	H (mm)	W (mm)	L (mm)		Max Cable Diameter (mm)	Max Conductor Size (mm)	Max Current (A)	Max Voltage (V)	Description
THA.211.A1B	54		Black	Nylon 66	3		36	118	137		17				Junction box suitable for use directly with terminal block TH029 or with TH026 / TH027 with support plate 6000194CC
THA.211.A1A	65		Black	Nylon 66	3		36	118	137		17				
THA.211.A1A3PTK	68	3	Black	Nylon 66	3	Barrier	36	118	137		17	4	32	450	Junction box supplied complete with 3 pole TH029 connector for direct mounting inside unit
THA.211.D1B	54		Black	Nylon 66	3		36	118	137		13.5				Junction box suitable for use directly with terminal block TH029 or with TH026 / TH027 with support plate 6000194CC
THA.211.D1A	65		Black	Nylon 66	3		36	118	137		13.5				

Power Distribution Units

TH622 Series

THH.622.L3A.AG	68	3	Black	Nylon 66	4		28	65	200			1.5	10	400	3 pole power distribution box, 1x input, 3x output (Four cables). 10A max input. Supplied complete with pre-cabled box and 4 connectors
THH.622.C3A.AG	54	3	Black	Nylon 66	4		28	65	200			1.5	10	400	3 pole power distribution box, 1x input, 3x output (Four cables). 10A max input. Supplied complete with pre-cabled box and 4 connectors

TH630 Series

THH.630.A3A.AG	54	3	Black	Nylon 66	3		43	99	118			1.5	10	400	Power distribution box, 1x input, 2x output (Three cables). 10A max input. Supplied complete with pre-cabled box and 3 connectors
THH.630.A3A.AG	54	5	Black	Nylon 66	3		43	99	118			1.5	10	400	Power distribution box, 1x input, 2x output (Three cables). 10A max input. Supplied complete with pre-cabled box and 3 connectors
THH.630.A3A.AG	54	6	Black	Nylon 66	3		43	99	118			1.5	10	400	Power distribution box, 1x input, 2x output (Three cables). 10A max input. Supplied complete with pre-cabled box and 3 connectors
THH.630.A3A.AG	65	3	Black	Nylon 66	3		43	99	118			1.5	10	400	Power distribution box, 1x input, 2x output (Three cables). 10A max input. Supplied complete with pre-cabled box and 3 connectors
THH.630.A3A.AG	65	5	Black	Nylon 66	3		43	99	118			1.5	10	400	Power distribution box, 1x input, 2x output (Three cables). 10A max input. Supplied complete with pre-cabled box and 3 connectors
THH.630.A3A.AG	65	6	Black	Nylon 66	3		43	99	118			1.5	10	400	Power distribution box, 1x input, 2x output (Three cables). 10A max input. Supplied complete with pre-cabled box and 3 connectors

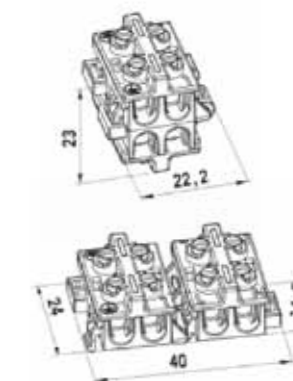
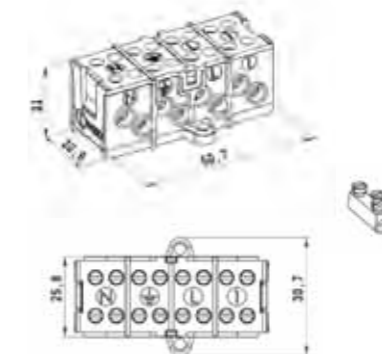
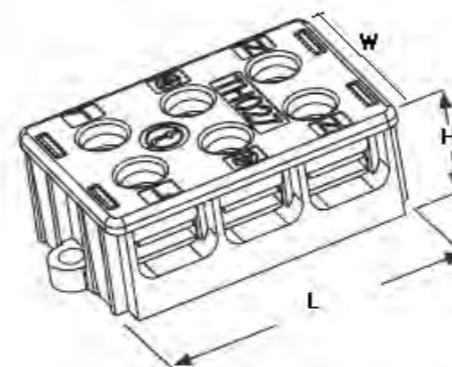


TeeBlock



Features:

- Unique T style connector TH029 saves installation time and effort
- Range includes insulation piercing options
- Large conductor size capability with rising clamp fitting of TH027 enables easier installation
- The 3 and 5 pole options of TH026 gives flexibility of configuration when used with the Teebox
- TH032, 4+4 terminals colour for LED applications



TH026 Style PA66 FV V0 125°C

Product Code	Poles	Colour	Material	H (mm)	W (mm)	L (mm)	Insert Type	Max Conductor Size (mm)	Max Current (A)	Max Voltage (V)	Description
THB.026.A1A	5	Brown	Nylon 66	16.4	20.6	32	Through	4	32	450	ENEC approved Terminal block, for use with Teebox style enclosures
THB.026.A2A	5	Brown	Nylon 66	16.4	20.6	32	Wire Protected	4	32	450	ENEC approved Terminal block, for use with Teebox style enclosures
THB.026.B1A	3	Brown	Nylon 66	16.4	20.6	21	Through	4	32	450	ENEC approved Terminal block, for use with Teebox style enclosures
THB.026.B2A	3	Brown	Nylon 66	16.4	20.6	21	Wire Protected	4	32	450	ENEC approved Terminal block, for use with Teebox style enclosures



TH027 Style PA66GF V0 125°C

THB.027.A1A	3	Brown	Nylon 66GF	16	29	43.5	Rising Clamp	6	32	450	Heavy duty terminal block, for use with Teebox style enclosures
-------------	---	-------	------------	----	----	------	--------------	---	----	-----	---



TH029 T Style PA66FV V0 125°C

THB.029.A1A	3	Brown	Nylon 66	15.8	20.6	38.5	Barrier	4	32	450	Unique T style terminal block for use with Teebox style enclosures especially TH211 for ease of cabling without forming
-------------	---	-------	----------	------	------	------	---------	---	----	-----	---



TH032 Style PA66GF V0 125°C

THB.032.A4B	4+4	Brown	Nylon 66GF	21	20.8	50.7	Barrier	4	32	450	Four pole terminal block with two conductor positions per pole on both connecting faces. Suitable for use in TH209 and Th211 TeeBox
THP.032.A4B	4+4	Brown	Nylon 66GF	21	20.8	50.7	Insulation piercing screw & barrier	1.5	17.5	450	Four pole insulation piercing terminal block with two conductor positions per pole on both connecting faces Suitable for use in TH209 and TH211 TeeBox



TH033 Style PA66GF V0 125°C

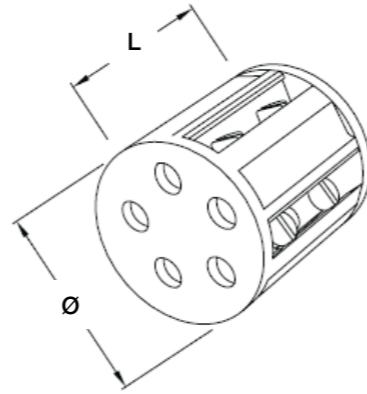
THB.033.A4A	4	Brown	Nylon 66GF	See Line Diagrams for details	Through	4	32	450	Four pole terminal block in 2x2 pole hinged configuration. Can be mounted independantly or clipped together to use in large (32mm) TeeTube products
THB.033.A4C	4	Brown	Nylon 66GF		Wire Protected	2.5	32	450	Four pole terminal block in 2x2 pole hinged configuration. Can be mounted independantly or clipped together to use in large (32mm) TeeTube products
THP.033.A4A	4	Brown	Nylon 66GF		Insulation piercing screw & barrier	1.5	17.5	450	Four pole terminal block in 2x2 pole hinged configuration. Can be mounted independantly or clipped together to use in large (32mm) TeeTube products.

TeeDrum



Features:

- The TeeDrum solution can be used as a stand alone connectors or installed in teetube
- TeeDrum solutions have been designed to guarantee safety and reliability of the connections
- The combination of the TeeDrum & teetube solution offers protection upto IP68
- TH021 is finger safe



Finger Safe



TeeDrum - Semi Housed

Product Code	IP Rating	Poles	Colour	Material	Ø (mm)	L (mm)	Insert Type		Max Conductor Size (mm)	Max Current (A)	Max Voltage (V)	Description
THB.021.C1A	20	2	Black / Brown	Nylon 66	22	26	Barrier		4	32	450	Semi housed Cylindrical terminal block. Suitable for stand-alone use or in conjunction with mounting rail accessories as below
THB.021.A1A	20	3	Black	Nylon 66	22	26	Barrier		4	32	450	Semi housed Cylindrical terminal block. Suitable for stand-alone use or in conjunction with mounting rail accessories as below
THB.021.B1A	20	5	Black	Nylon 66	26	26	Barrier		4	32	450	Semi housed Cylindrical terminal block. Suitable for stand-alone use or in conjunction with mounting rail accessories as below.



TeeDrum

THB.020.A1A	00	3	Black	Nylon 66	18	26	Barrier		4	32	450	
THB.020.B1A	00	5	Black	Nylon 66	22	26	Barrier		4	32	450	
THD.020.D1A	00	6	Brown	Nylon 66	22	26	Barrier		4	32	450	
THB.020.C2A	00	3+3	Brown	Nylon 66	22	26	Through		4	32	450	Cylindrical terminal block. 3 Poles with 2 conductor connections per pole.

TeeDrum - Semi Housed Mounting Rails

6000048KC												
6000047KC												

Weatherproof Range Accessories

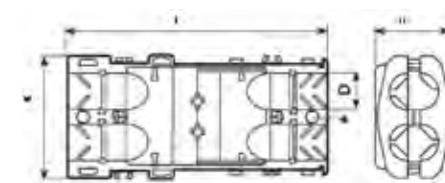


IP68 Gel Filled Connectors



Features:

- Patented memory Gel
- Can be rewired without renewal of internal Gel
- IP68 Protection as standard
- Supplied complete with connector
- Ideal for external connection applications
- The products can be buried without moisture ingress problems
- Up to 16 Amp current capability, depending on product.



Weatherproof Range Accessories

Product Code	Suitable for product types	Poles	Description
600009600	TH405		5 pole assembly tool
600012200	TH405		3 pole assembly tool
6DB00200C	TH384, TH385, TH386*		Dust Cap c/w silicon strap. *Also acts as a locking tool for TH386, Black
6DB00750C	TH405		Combined 6 pole assy tool and cap
6000194CC	TH209 and TH211		Support plate for use with terminal blocks TH026 or TH027 when mounted in these junction boxes
6000183C	TH384, TH385, TH386		Dust cap only
6DB0900C	TH405, TH406		Dust cap complete with silicon belt
6000069CC	TH405, TH406		Dust cap only

Alternative Inserts For Use With Tee Products

6DB000800			Double Yellow seal, cable range 5-13.5mm dia
64001800	Not for use with TH110, TH112 TH200, TH382 TH384, TH385 TH386, TH388		Yellow seal, cable range 9-13.5mm dia
6000087LF			Reducing insert cap, Hole dia 9mm
600012500			2 Hole Insert, 3.5mm dia
600012600			3 Hole Insert, 3.5mm dia
600018200			4 Hole Insert, 3.5mm dia
60013700			Blind insert
6000086MH	TH384, TH385, TH386		Green Seal single hole for cable dia 4-6mm
6000085MM	TH384, TH385, TH386		Blue Seal single hole for cable dia 6-7.5mm
6000084MG	TH384, TH385, TH386		Yellow Seal single hole for cable dia 7.5-9.5mm
6000091MA	TH384, TH385, TH386		White Seal blanking plug
6000114MA	TH384, TH385, TH386		White Seal 2 hole dia 2mm
6000089MA	TH384, TH385, TH386		White Seal 2 hole dia 3.5mm
6000090MA	TH384, TH385, TH386		White Seal 1 hole dia 2mm
6000106MA	TH384, TH385, TH386		White Seal 3 hole dia 3.5mm
6000113MA	TH384, TH385, TH386		White Seal 4 hole dia 2mm
6000040LF	TH384, TH385, TH386		Green blanking cap
6000042LF	TH384, TH385, TH386		Green reducing adapter, 6mm Dia hole
6000041LF	TH384, TH385, TH386		Green reducing adapter, 7.5mm Dia hole

5625 Series

Product Code	IP Rating	Poles	Terminal type	Colour	Material	Cable Entries	H (mm)	W (mm)	L (mm)	Max Cable Diameter (mm)	Max Conductor Size (mm)	Max Current (A)	Max Voltage (V)
5625/11121	68	3	Screw	Orange	Nylon 66-RV	4	24	45	95	6.5 to 12	4	16	250
5625/415/1121	68	4	Screw	Orange	Nylon 66-RV	4	24	45	95	6.5 to 12	1.5	16	250

5630 Series

5630/11126	68	2	Screw	Black	Nylon 66-RV	2	22	37	45	5.3 to 8.5	1.5	16	250
------------	----	---	-------	-------	-------------	---	----	----	----	------------	-----	----	-----

5633 Series

5633/11186	68	3	Screw	Grey	Nylon 66-RV	2	30	39	45	5.8 to 10.5	1.5	16	250
5633/4/86	68	4	Screw	Grey	Nylon 66-RV	2	30	39	45	5.8 to 10.5	1.5	16	250
5633/6/86	68	6	Solder	White	Nylon 66-RV	2	30	39	45	5.8 to 10.5	0.5		250

5665 Series

5665	68	2	Screw	Orange	Nylon 66-RV	2	17.5	18	40	4.8 to 6	.5		250
------	----	---	-------	--------	-------------	---	------	----	----	----------	----	--	-----



5625 Series



5630 Series



5665 Series



5625 Series

IP67 Cable Grommets - Rapid Installation



Kwikseal Features:

- Self Adjusting To Cable diameter
- Temp range -50°C to +125°C
- Unique Joy-Stick effect
- Pop-out membrane
- Saves time, saves money
- Patented design

Klikseal Features:

- Integrated Tension Relief
- Saves Upto 90% On Installation time
- Self Adjusting To Wall thickness 0.7-5mm
- Pop-out membrane
- Saves time, saves money
- Patented design

Rutaseal Features:

- Both Metric & PG Range Available
- Internal/ External Holes IP67
- Pop-out membrane

Klikseal - IP67 Cable Retention Grommet - Standard Panels



Product Code	Size	For Panel Thickness (mm)	Colour	Material	H (mm)	H2 (mm)	D1 (mm)	Cable Size (mm) (IP65 For Cable Ø mm)	Temp Rating
1475803	M20	2-5	RAL 7035 - Grey	TPE and Polyamide 66	17-20	5,5	4,0	7-11 (4-11)	-20 to +125C
1475804	M25	2-5	RAL 7035 - Grey	TPE and Polyamide 66	17-20	5,7	5,0	7-13 (4-13)	-20 to +125C
1475813	M20	2-5	RAL 9005 - Black	TPE and Polyamide 66	17-20	5,5	4,0	7-11 (4-11)	-20 to +125C
1475814	M25	2-5	RAL 9005 - Black	TPE and Polyamide 66	17-20	5,7	5,0	7-13 (4-13)	-20 to +125C
1475823	M20	2-5	RAL 9010 - White	TPE and Polyamide 66	17-20	5,5	4,0	7-11 (4-11)	-20 to +125C
1475824	M25	2-5	RAL 9010 - White	TPE and Polyamide 66	17-20	5,7	5,0	7-13 (4-13)	-20 to +125C

Klikseal - IP67 Cable Retention Grommet - Thin Panels

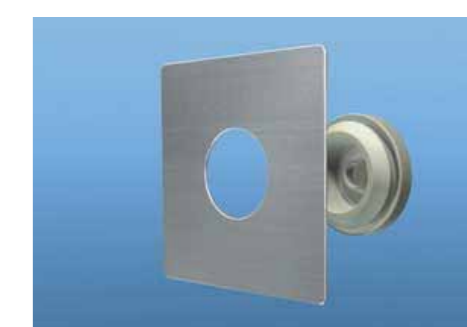
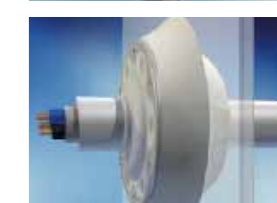


1475807	M20	0,7 - 3	RAL 7035 - Grey	TPE and Polyamide 66	17-20	5,5	4,0	7-11 (4-11)	-20 to +125C
1475808	M25	0,7 - 3	RAL 7035 - Grey	TPE and Polyamide 66	17-20	5,7	5,0	7-13 (4-13)	-20 to +125C
1475817	M20	0,7 - 3	RAL 9005 - Black	TPE and Polyamide 66	17-20	5,5	4,0	7-11 (4-11)	-20 to +125C
1475818	M25	0,7 - 3	RAL 9005 - Black	TPE and Polyamide 66	17-20	5,7	5,0	7-13 (4-13)	-20 to +125C
1475827	M20	0,7 - 3	RAL 9010 - White	TPE and Polyamide 66	17-20	5,5	4,0	7-11 (4-11)	-20 to +125C
1475828	M25	0,7 - 3	RAL 9010 - White	TPE and Polyamide 66	17-20	5,7	5,0	7-13 (4-13)	-20 to +125C

Kwikseal - IP67 Cable Retention Grommet



1475711	M16	0,5 - 3	RAL 7035 - Grey	TPE	11	4	6,75	5-10	-50 to +125C
1475712	M20	0,5 - 3	RAL 7035 - Grey	TPE	11	4	6,75	6-13	-50 to +125C
1475713	M25	0,5 - 3,5	RAL 7035 - Grey	TPE	11	4	6,75	8-17	-50 to +125C
1475714	M32	0,5 - 4,5	RAL 7035 - Grey	TPE	11	4	6,75	12-24	-50 to +125C
1475716	M16	0,5 - 3	RAL 9005 - Black	TPE	11	4	6,75	5-10	-50 to +125C
1475717	M20	0,5 - 3	RAL 9005 - Black	TPE	11	4	6,75	6-13	-50 to +125C
1475718	M25	0,5 - 3,5	RAL 9005 - Black	TPE	11	4	6,75	8-17	-50 to +125C
1475719	M32	0,5 - 4,5	RAL 9005 - Black	TPE	11	4	6,75	12-24	-50 to +125C
1475721	M16	0,5 - 3	RAL 9010 - White	TPE	11	4	6,75	5-10	-50 to +125C
1475722	M20	0,5 - 3	RAL 9010 - White	TPE	11	4	6,75	6-13	-50 to +125C
1475723	M25	0,5 - 3,5	RAL 9010 - White	TPE	11	4	6,75	8-17	-50 to +125C
1475724	M32	0,5 - 4,5	RAL 9010 - White	TPE	11	4	6,75	12-24	-50 to +125C



IP67 Cable Grommets

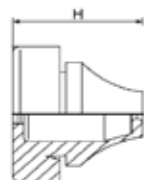
Rutaseal - IP67 Cable Retention Grommet

Product Code	Size	For Panel Thickness (mm)	Colour	Material	H (mm)	H1 (mm)	D (mm)	ØC (mm)	Temp Rating
1458303	M12	0,5 - 2	RAL 7035 - Grey	EPDM	12,8	5,6	20	4-7	-40 to +110C
1458304	M16	1 - 4	RAL 7035 - Grey	EPDM	17,7	11	21	5-9	-40 to +110C
1458305	M20	1 - 4	RAL 7035 - Grey	EPDM	20	13,4	25,5	8-13	-40 to +110C
1458306	M25	1 - 4	RAL 7035 - Grey	EPDM	21,3	15,3	30,5	11-17	-40 to +110C
1458307	M32	1 - 4	RAL 7035 - Grey	EPDM	24,6	18,6	38,5	15-20	-40 to +110C
1458308	M40	1 - 4	RAL 7035 - Grey	EPDM	29,5	21,7	48,5	19-28	-40 to +110C
1458309	M50	1 - 4	RAL 7035 - Grey	EPDM	34,8	25	60,5	27-35	-40 to +110C
1458233	M12	0,5 - 2	RAL 7001 - Grey	EPDM	12,8	5,6	20	4-7	-40 to +110C
1458234	M16	1 - 4	RAL 7001 - Grey	EPDM	17,7	11	21	5-9	-40 to +110C
1458235	M20	1 - 4	RAL 7001 - Grey	EPDM	20	13,4	25,5	8-13	-40 to +110C
1458236	M25	1 - 4	RAL 7001 - Grey	EPDM	21,3	15,3	30,5	11-17	-40 to +110C
1458237	M32	1 - 4	RAL 7001 - Grey	EPDM	24,6	18,6	38,5	15-20	-40 to +110C
1458238	M40	1 - 4	RAL 7001 - Grey	EPDM	29,5	21,7	48,5	19-28	-40 to +110C
1458239	M50	1 - 4	RAL 7001 - Grey	EPDM	34,8	25	60,5	27-35	-40 to +110C



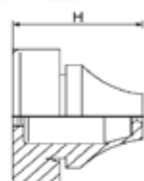
Rutaseal - IP67 Cable Retention Grommet (Continued)

1458293	M12	0,5 - 2	RAL 9005 - Black	EPDM	12,8	5,6	20	4-7	-40 to +110C
1458294	M16	1 - 4	RAL 9005 - Black	EPDM	17,7	11	21	5-9	-40 to +110C
1458295	M20	1 - 4	RAL 9005 - Black	EPDM	20	13,4	25,5	8-13	-40 to +110C
1458296	M25	1 - 4	RAL 9005 - Black	EPDM	21,3	15,3	30,5	11-17	-40 to +110C
1458297	M32	1 - 4	RAL 9005 - Black	EPDM	24,6	18,6	38,5	15-20	-40 to +110C
1458298	M40	1 - 4	RAL 9005 - Black	EPDM	29,5	21,7	48,5	19-28	-40 to +110C
1458299	M50	1 - 4	RAL 9005 - Black	EPDM	34,8	25	60,5	27-35	-40 to +110C
1458253	M12	0,5 - 2	RAL 9005 - Black	Chloroprene	12,8	5,6	20	4-7	-30 to +100C
1458254	M16	1 - 4	RAL 9005 - Black	Chloroprene	17,7	11	21	5-9	-30 to +100C
1458255	M20	1 - 4	RAL 9005 - Black	Chloroprene	20	13,4	25,5	8-13	-30 to +100C
1458256	M25	1 - 4	RAL 9005 - Black	Chloroprene	21,3	15,3	30,5	11-17	-30 to +100C
1458257	M32	1 - 4	RAL 9005 - Black	Chloroprene	24,6	18,6	38,5	15-20	-30 to +100C
1458258	M40	1 - 4	RAL 9005 - Black	Chloroprene	29,5	21,7	48,5	19-28	-30 to +100C
1458259	M50	1 - 4	RAL 9005 - Black	Chloroprene	34,8	25	60,5	27-35	-30 to +100C

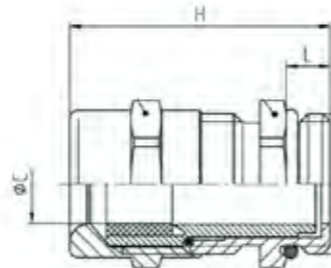


Metric Rutaseal Light - IP67 Cable Retention Grommet

1458334	M16	1 - 4	RAL 7035 - Grey	EPDM	17,5	11	21	5-9	-40 to +110C
1458335	M20	1 - 4	RAL 7035 - Grey	EPDM	19,6	13,4	25,5	8-12	-40 to +110C
1458336	M25	1 - 4	RAL 7035 - Grey	EPDM	20,9	15,3	30,5	11-16	-40 to +110C
1458326	M16	1 - 4	RAL 7001 - Grey	EPDM	17,5	11	21	5-9	-40 to +110C
1458327	M20	1 - 4	RAL 7001 - Grey	EPDM	19,6	13,4	25,5	8-12	-40 to +110C
1458328	M25	1 - 4	RAL 7001 - Grey	EPDM	20,9	15,3	30,5	11-16	-40 to +110C
1458330	M16	1 - 4	RAL 9005 - Black	EPDM	17,5	11	21	5-9	-40 to +110C
1458331	M20	1 - 4	RAL 9005 - Black	EPDM	19,6	13,4	25,5	8-12	-40 to +110C
1458332	M25	1 - 4	RAL 9005 - Black	EPDM	20,9	15,3	30,5	11-16	-40 to +110C



Metric Brass ATEX Explosion Proof



Brass Explosion Proof Cable Glands:

- Brass CuZn39Pb3, nickel-plated
- IP68 to 5bar
- Temperature Rating of -20 to +80C
- Equipment group: II
- Category / Zone: 2G and 2D / 1, 2, 21, 22

Vibration Damage Reducing:

- Brass CuZn39Pb3, nickel-plated
- IP68
- Temperature Rating of -20 to +80C
- EMC Versions Available

Accessories Features:

- Brass CuZn39Pb3, nickel-plated
- IP68
- Temperature Rating of -20 to +80C

IP68 Brass Explosion Proof Cable Glands

IP68 Perfect Nickel Plated Brass Explosion Proof Cable Glands

Product Code	Size	H (mm)	L (mm)	ØC (mm)
50.612 M/L/EX	M12	30	10	3-6
50.616 M/L/EX	M16	34	10	5-9
50.620 M/L/EX	M20	37	10	9-13
50.625 M/L/EX	M25	40,5	11	11-16
50.632 M/L/EX	M32	43	13	14-21
50.640 M/L/EX	M40	46	13	19-27
50.650 M/L/EX	M50	52,5	14	24-35
50.663 M/L/EX	M63	58,5	14	32-42
50.663 M1/L/EX	M63	58,5	14	38-48

IP68 Perfect Emc Nickel Plated Brass Explosion Proof Cable Glands

50.612 M/EMVLEX	M12	30	10	3-6
50.616 M/EMVLEX	M16	34	10	5-9
50.620 M/EMVLEX	M20	37	10	9-13
50.625 M/EMVLEX	M25	40,5	11	11-16
50.632 M/EMVLEX	M32	43	13	14-21
50.640 M/EMVLEX	M40	46	13	19-27
50.650 M/EMVLEX	M50	52,5	14	24-35
50.663 M/EMVLEX	M63	58,5	14	32-42
50.663 M1/EMVLEX	M63	58,5	14	38-48

Accessories

IP68 Nickel Plated Brass EX Screw Plug

Product Code	Size	H (mm)	L (mm)
10.1215 M/G/EX	M12	8	5
10.1615 M/G/EX	M16	9	6
10.2015 M/G/EX	M20	9,5	6,5
10.2515 M/G/EX	M25	11	7
10.3215 M/G/EX	M32	12	8
10.4015 M/G/EX	M40	12	8
10.5015 M/G/EX	M50	15	9
10.6315 M/G/EX	M63	16	10

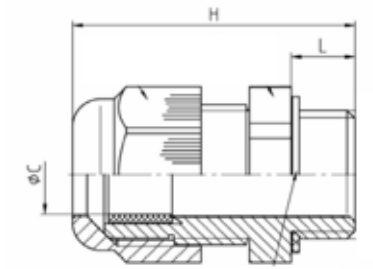


Metric Nylon ATEX Explosion Proof



Brass Explosion Proof Cable Glands:

- Polyamide PA6
- IP66
- Equipment group: II
- Category / Zone: 2G and 2D / 1, 2, 21, 22



IP66 Perfect Nylon EX-Cable Gland - Black

Product Code	Colour	Size	H (mm)	L (mm)	ØC (mm)	Temp Rating
50.612 PASW/EX	RAL9005	M12	31	8	4-7	-30 to +70C
50.616 PASW/EX	RAL9005	M16	35,5	8	5,5-10	-30 to +70C
50.620 PASW/EX	RAL9005	M20	37	8	5,5-13	-30 to +70C
50.625 PASW/EX	RAL9005	M25	43	8	8-17	-30 to +70C
50.632 PASW/EX	RAL9005	M32	50	10	12-21	-30 to +70C
50.640 PASW/EX	RAL9005	M40	51	10	17-28	-30 to +70C
50.650 PASW/EX	RAL9005	M50	61,5	12	22-35	-30 to +70C
50.663 PASW/EX	RAL9005	M63	65,5	12	27-48	-30 to +70C

IP66 Perfect Nylon EX-Cable Gland With RAL5015CAP - Black/Blue

50.612 PABL/EX	RAL9005 + RAL5015 Cap	M12	31	8	4-7	-30 to +70C
50.616 PABL/EX	RAL9005 + RAL5015 Cap	M16	35,5	8	5,5-10	-30 to +70C
50.620 PABL/EX	RAL9005 + RAL5015 Cap	M20	37	8	5,5-13	-30 to +70C
50.625 PABL/EX	RAL9005 + RAL5015 Cap	M25	43	8	8-17	-30 to +70C
50.632 PABL/EX	RAL9005 + RAL5015 Cap	M32	50	10	12-21	-30 to +70C
50.640 PABL/EX	RAL9005 + RAL5015 Cap	M40	51	10	17-28	-30 to +70C
50.650 PABL/EX	RAL9005 + RAL5015 Cap	M50	61,5	12	22-35	-30 to +70C
50.663 PABL/EX	RAL9005 + RAL5015 Cap	M63	65,5	12	27-48	-30 to +70C

IP66 Perfect Nylon EX-Cable Gland For Low Temperature - Black

50.612 PASWEXSI	RAL9005	M12	31	8	4-7	-50 to +70C
50.616 PASWEXSI	RAL9005	M16	35,5	8	5,5-10	-50 to +70C
50.620 PASWEXSI	RAL9005	M20	37	8	5,5-13	-50 to +70C
50.625 PASWEXSI	RAL9005	M25	43	8	8-17	-50 to +70C
50.632 PASWEXSI	RAL9005	M32	50	10	12-21	-50 to +70C
50.640 PASWEXSI	RAL9005	M40	51	10	17-28	-50 to +70C
50.650 PASWEXSI	RAL9005	M50	61,5	12	22-35	-50 to +70C
50.663 PASWEXSI	RAL9005	M63	65,5	12	27-48	-50 to +70C

IP66 Perfect Nylon EX-Cable Gland For Low Temperature With RAL5015CAP - Black/Blue

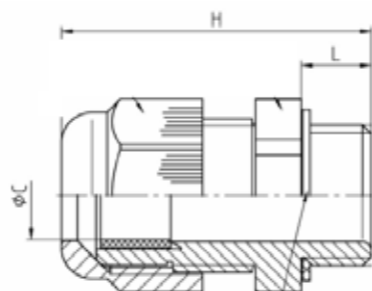
50.612 PABLEXSI	RAL9005 + RAL5015 Cap	M12	31	8	4-7	-50 to +70C
50.616 PABLEXSI	RAL9005 + RAL5015 Cap	M16	35,5	8	5,5-10	-50 to +70C
50.620 PABLEXSI	RAL9005 + RAL5015 Cap	M20	37	8	5,5-13	-50 to +70C
50.625 PABLEXSI	RAL9005 + RAL5015 Cap	M25	43	8	8-17	-50 to +70C
50.632 PABLEXSI	RAL9005 + RAL5015 Cap	M32	50	10	12-21	-50 to +70C
50.640 PABLEXSI	RAL9005 + RAL5015 Cap	M40	51	10	17-28	-50 to +70C
50.650 PABLEXSI	RAL9005 + RAL5015 Cap	M50	61,5	12	22-35	-50 to +70C
50.663 PABLEXSI	RAL9005 + RAL5015 Cap	M63	65,5	12	27-48	-50 to +70C

Perfect Metric Nickel Plated Brass



Features:

- Easy to install
- Upto IP 68 protection
- Made From Nickel Plated Brass



IP68 Perfect Nickel Plated Brass Cable Gland Long Thread

Part Code	Size	H (mm)	L (mm)	ØC (mm)	Temp Rating
50.612M-L	M12	30	10	3-6	-20 to +100C
50.616M-L	M16	35	10	5-9	-20 to +100C
50.620M-L	M20	37,5	10	9-13	-20 to +100C
50.625M-L	M25	40,5	11	11-16	-20 to +100C
50.632M-L	M32	43	13	14-21	-20 to +100C
50.640M-L	M40	46	13	19-27	-20 to +100C
50.650M-L	M50	54,5	14	24-35	-20 to +100C
50.663M-L	M63	56,5	14	32-42	-20 to +100C
50.663 M1-L	M63	56,5	14	38-48	-20 to +100C

IP68 Perfect Nickel Plated Brass with Reducing Insert

50.612 M/R	M12	25	5	2-5	-20 to +100C
50.616 M/R	M16	30	5	3-9	-20 to +100C
50.620 M/R	M20	33,5	6	5-13	-20 to +100C
50.625 M/R	M25	36,5	7	8-16	-20 to +100C
50.632 M/R	M32	38	8	12-21	-20 to +100C
50.640 M/R	M40	41	8	16-27	-20 to +100C
50.650 M/R	M50	49,5	9	21-35	-20 to +100C
50.663 M/R	M63	52,5	10	27-48	-20 to +100C

IP66 Perfect Nickel Plated Brass Cable Gland for Flat Profile Cable

50.620 MFK1	M20	33,5	6	5x12max, 2x9min	-20 to +100C
50.625 MFK1	M25	36,5	7	6x16.3max, 2x11min	-20 to +100C
50.632 MFK1	M32	38	8	9x20max, 3x13min	-20 to +100C
50.640 MFK1	M40	41	8	10x27max, 3x17min	-20 to +100C
50.650 MFK1	M50	49,5	9	13x34max, 4x24min	-20 to +100C
50.663 MFK1	M63	52,5	10	15x45max, 5x33min	-20 to +100C

IP65 Perfect Nickel Plated Brass Cable Gland For ASI Profile Cable

50.620 M/ASI/1	M20	33,5	6	1x ASI cable	-20 to +100C
50.625 M/ASI/1	M25	36,5	7	1x ASI cable	-20 to +100C
50.620 M/ASI/2	M20	33,5	6	2x ASI cable	-20 to +100C
50.625 M/ASI/2	M25	36,5	7	2x ASI cable	-20 to +100C

IP68 Long Thread In-Line EMC Shield Version

Part Code	Size	H (mm)	L (mm)	ØC (mm)	Temp Rating
50.616 M/EMVDL	M16	35	10	5-9	-20 to +100C
50.620 M/EMVDL	M20	37,5	10	9-13	-20 to +100C
50.625 M/EMVDL	M25	40,5	11	11-16	-20 to +100C
50.632 M/EMVDL	M32	43	13	14-21	-20 to +100C
50.640 M/EMVDL	M40	46	13	19-27	-20 to +100C

IP68 EMC Shield Version Long Thread

50.612 M/EMV/L	M12	30	10	3-6	-20 to +100C
50.616 M/EMV/L	M16	35	10	5-9	-20 to +100C
50.620 M/EMV/L	M20	37,5	10	9-13	-20 to +100C
50.625 M/EMV/L	M25	40,5	11	11-16	-20 to +100C
50.632 M/EMV/L	M32	43	13	14-21	-20 to +100C
50.640 M/EMV/L	M40	46	13	19-27	-20 to +100C
50.650 M/EMV/L	M50	54,5	14	24-35	-20 to +100C
50.663 M/EMV/L	M63	56,5	14	32-42	-20 to +100C
50.663 M1/EMV/L	M63	56,5	14	38-48	-20 to +100C

IP65 WADI Special Small Cable High Temperature Gland

111005	M6	16,5	6	2-3.2	-30 to +100C
111006	M8	19	6	3-5	-30 to +100C
111010	M10	19,5	6	4-6	-30 to +100C
111072	M72	59,5	18	53-60	-30 to +100C

Perfect Metric Nickel Plated Brass

Other Styles Of Gland Are Available

Kompakt Glands:



Features:

- IP55 rated
- Available in Standard or with rubber bushing inside
- Temperature rating of -30c to +100c
- Sizes From M12 - M63

NPB Gland With Clamping Jaw:



Features:

- IP55 rated
- Temperature rating of -30c to +100c
- Sizes From M12 - M63

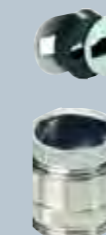
NPB Gland With Clamping Jaw:



Features:

- IP55 rated
- Available in Standard or with rubber bushing inside
- Pressure Screw also Available
- Sizes From M12 - M40

Flat Profile Cable Gland:



Features:

- IP55 rated
- Temperature rating of -30c to +80c
- Sizes From M12 - M63

Accessories

Metric Locknuts



Part Code	IP Rating	Colour	Material	Size	H (mm)	L (mm)	ØC (mm)	Temp Rating
50.212 M	N/a	Silver	Metric Nickel Plated Brass	M12	2,8	N/a	N/a	-60 to +200C
50.216 M	N/a	Silver	Metric Nickel Plated Brass	M16	2,8	N/a	N/a	-60 to +200C
50.220 M	N/a	Silver	Metric Nickel Plated Brass	M20	3	N/a	N/a	-60 to +200C
50.225 M	N/a	Silver	Metric Nickel Plated Brass	M25	3,5	N/a	N/a	-60 to +200C
50.232 M	N/a	Silver	Metric Nickel Plated Brass	M32	4	N/a	N/a	-60 to +200C
50.240 M	N/a	Silver	Metric Nickel Plated Brass	M40	5	N/a	N/a	-60 to +200C
50.250 M	N/a	Silver	Metric Nickel Plated Brass	M50	5	N/a	N/a	-60 to +200C
50.263 M	N/a	Silver	Metric Nickel Plated Brass	M63	6	N/a	N/a	-60 to +200C

IP68 Screw Plug With O Ring And Slot Top



10.1210 M/G	IP68	Silver	Metric Nickel Plated Brass	M12	7,5	4,5	16	-30 to +100C
10.1215 M/G	IP68	Silver	Metric Nickel Plated Brass	M12	8	5	16	-30 to +100C
10.1615 M/G	IP68	Silver	Metric Nickel Plated Brass	M16	9	6	20	-30 to +100C
10.2015 M/G	IP68	Silver	Metric Nickel Plated Brass	M20	9,5	6,5	24	-30 to +100C
10.2515 M/G	IP68	Silver	Metric Nickel Plated Brass	M25	11	7	28	-30 to +100C
10.3215 M/G	IP68	Silver	Metric Nickel Plated Brass	M32	12	8	35	-30 to +100C
10.4015 M/G	IP68	Silver	Metric Nickel Plated Brass	M40	12	8	45	-30 to +100C
10.5015 M/G	IP68	Silver	Metric Nickel Plated Brass	M50	15	9	55	-30 to +100C
10.6315 M/G	IP68	Silver	Metric Nickel Plated Brass	M63	16	10	68	-30 to +100C

IP54 Screw Plug With Slot Top



10.1210	IP54	Silver	Metric Nickel Plated Brass	M12	7,5	4,5	16	-60 to +200C
10.1215	IP54	Silver	Metric Nickel Plated Brass	M12	8	5	16	-60 to +200C
10.1615	IP54	Silver	Metric Nickel Plated Brass	M16	9	6	20	-60 to +200C
10.2015	IP54	Silver	Metric Nickel Plated Brass	M20	9,5	6,5	24	-60 to +200C
10.2515	IP54	Silver	Metric Nickel Plated Brass	M25	11	7	28	-60 to +200C
10.3215	IP54	Silver	Metric Nickel Plated Brass	M32	12	8	35	-60 to +200C
10.4015	IP54	Silver	Metric Nickel Plated Brass	M40	12	8	45	-60 to +200C
10.5015	IP54	Silver	Metric Nickel Plated Brass	M50	15	9	55	-60 to +200C
10.6315	IP54	Silver	Metric Nickel Plated Brass	M63	16	10	68	-60 to +200C

Enlarger Adapter Metric/Metric



Part Code	IP Rating	Colour	Material	Size	H (mm)	L (mm)	ØC (mm)	Temp Rating
M12M16/FR	N/a	Silver	Metric Nickel Plated Brass	M12/M16	16	5	8	Bis +200C
M16M20/FR	N/a	Silver	Metric Nickel Plated Brass	M16/M20	16,5	5	12	Bis +200C
M20M25/FR	N/a	Silver	Metric Nickel Plated Brass	M20/M25	18,5	6	15	Bis +200C
M25M32/FR	N/a	Silver	Metric Nickel Plated Brass	M25/M32	20,5	7	21	Bis +200C
M32M40/FR	N/a	Silver	Metric Nickel Plated Brass	M32/M40	23,5	8	26	Bis +200C
M40M50/FR	N/a	Silver	Metric Nickel Plated Brass	M40/M50	30	8	34	Bis +200C
M50M63/FR	N/a	Silver	Metric Nickel Plated Brass	M50/M63	32,5	9	44	Bis +200C

EMC Cutting Locknuts



50.212 MPOT	N/a	Silver	Metric Nickel Plated Brass	M12	5,5	4,5	N/a	-60 to +200C
50.216 MPOT	N/a	Silver	Metric Nickel Plated Brass	M16	5,5	4,5	N/a	-60 to +200C
50.220 MPOT	N/a	Silver	Metric Nickel Plated Brass	M20	5,5	4,5	N/a	-60 to +200C
50.225 MPOT	N/a	Silver	Metric Nickel Plated Brass	M25	5,5	4,5	N/a	-60 to +200C
50.232 MPOT	N/a	Silver	Metric Nickel Plated Brass	M32	5,5	4,5	N/a	-60 to +200C
50.240 MPOT	N/a	Silver	Metric Nickel Plated Brass	M40	6	5	N/a	-60 to +200C
50.250 MPOT	N/a	Silver	Metric Nickel Plated Brass	M50	6	5	N/a	-60 to +200C
50.263 MPOT	N/a	Silver	Metric Nickel Plated Brass	M63	7	6	N/a	-60 to +200C

Multihole Sealing Insert



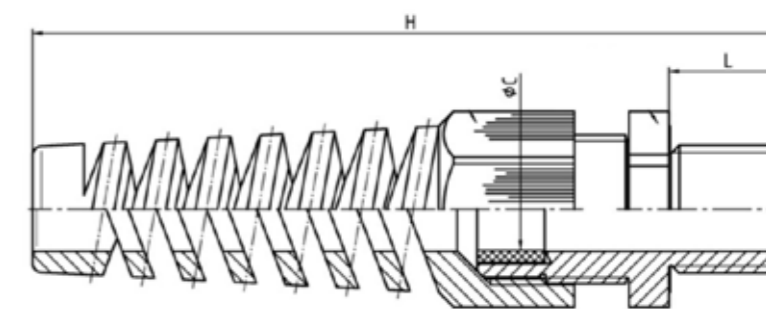
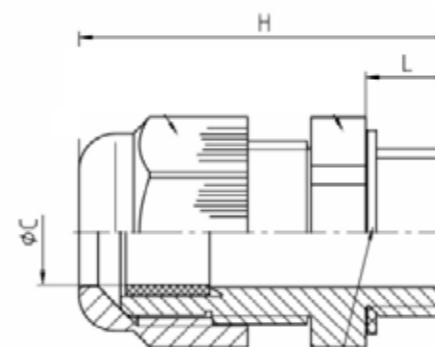
WJ-DM 12/3x2.3	M12	N/a	6.6	3x2.3	8.5	-.30c to +100c	Evoprene TPE
WJ-DM 16/2x4.5	M16	N/a	7.6	2x4.5	11.7	-.30c to +100c	Evoprene TPE
WJ-DM 16/4x2.3	M16	N/a	7.6	4x2.3	11.7	-.30c to +100c	Evoprene TPE
WJ-DM 20/2x4	M20	N/a	7.5	2x4	15.1	-.30c to +100c	Evoprene TPE
WJ-DM 20/2x6	M20	N/a	7.5	2x6	15.1	-.30c to +100c	Evoprene TPE
WJ-DM 20/4x5	M20	N/a	7.5	4x5	15.1	-.30c to +100c	Evoprene TPE
WJ-DM 25/3x6	M25	N/a	9.3	3x6	19.8	-.30c to +100c	Evoprene TPE
WJ-DM 25/3x7	M25	N/a	9.3	3x7	19.8	-.30c to +100c	Evoprene TPE
WJ-DM 25/4x5	M25	N/a	9.3	4x5	19.8	-.30c to +100c	Evoprene TPE
WJ-DM 25/4x6	M25	N/a	9.3	4x6	19.8	-.30c to +100c	Evoprene TPE
WJ-DM 32/4x7	M32	N/a	12.5	4x7	25.1	-.30c to +100c	Evoprene TPE
WJ-DM 32/4x8	M32	N/a	12.5	4x8	25.1	-.30c to +100c	Evoprene TPE

IP68 Nylon Metric Perfect



Features:

- Upto IP68 at 5Bar
- Includes PG/ Metric Perfect Range where Sealing range and dome nut dimensions are identical to pg - series
- Reducing cable range versions included
- PA6 V0 Options Available
- Temp Rating of -20C to +100C



Kwik Fix IP68 Metric Cable Glands

Features:

- IP68
- Temp range -20C to +100C
- Quick and easy installation without special tools
- Assemble from one side only - no separate lock nut, saves time so saves money.
- Wall thickness 1-4mm

IP68 Metric Perfect Nylon Cable Gland



Part Code	Colour	Material	Size	H (mm)	ØC (mm)
K341-1016-00	Grey RAL7035	Polyamide PA6 V2	M16	38.5	5-10
K341-1020-00	Grey RAL7035	Polyamide PA6 V2	M20	42.5	8-13
K341-1025-00	Grey RAL7035	Polyamide PA6 V2	M25	48	11-17
K341-1016-01	Grey RAL7001	Polyamide PA6 V2	M16	38.5	5-10
K341-1020-01	Grey RAL7001	Polyamide PA6 V2	M20	42.5	8-13
K341-1025-01	Grey RAL7001	Polyamide PA6 V2	M25	48	11-17
K341-1016-02	Black RAL9005	Polyamide PA6 V2	M16	38.5	5-10
K341-1020-02	Black RAL9005	Polyamide PA6 V2	M20	42.5	8-13
K341-1025-02	Black RAL9005	Polyamide PA6 V2	M25	48	11-17

IP68 Metric Perfect Nylon Cable Gland



Part Code	Colour	Material	Size	H (mm)	L (mm)	ØC (mm)
50.612 PA7001	RAL7001 - Silver Grey	Nylon PA6	M12	31	8	3-6
50.616 PA7001	RAL7001 - Silver Grey	Nylon PA6	M16	35,5	8	5-10
50.620 PA7001	RAL7001 - Silver Grey	Nylon PA6	M20	36	8	8-13
50.625 PA7001	RAL7001 - Silver Grey	Nylon PA6	M25	43	8	11-17
50.632 PA7001	RAL7001 - Silver Grey	Nylon PA6	M32	50	10	15-21
50.640 PA7001	RAL7001 - Silver Grey	Nylon PA6	M40	51	10	19-28
50.650 PA7001	RAL7001 - Silver Grey	Nylon PA6	M50	61,5	12	27-35
50.663 PA7001	RAL7001 - Silver Grey	Nylon PA6	M63	65,5	12	32-42
50.612 PA7035	RAL7035 - Light Grey	Nylon PA6	M12	31	8	3-6
50.616 PA7035	RAL7035 - Light Grey	Nylon PA6	M16	35,5	8	5-10
50.620 PA7035	RAL7035 - Light Grey	Nylon PA6	M20	36	8	8-13
50.625 PA7035	RAL7035 - Light Grey	Nylon PA6	M25	43	8	11-17
50.632 PA7035	RAL7035 - Light Grey	Nylon PA6	M32	50	10	15-21
50.640 PA7035	RAL7035 - Light Grey	Nylon PA6	M40	51	10	19-28
50.650 PA7035	RAL7035 - Light Grey	Nylon PA6	M50	61,5	12	27-35
50.663 PA7035	RAL7035 - Light Grey	Nylon PA6	M63	65,5	12	32-42
50.612 PA/SW	RAL9005 - Black	Nylon PA6	M12	31	8	3-6
50.616 PA/SW	RAL9005 - Black	Nylon PA6	M16	35,5	8	5-10
50.620 PA/SW	RAL9005 - Black	Nylon PA6	M20	36	8	8-13
50.625 PA/SW	RAL9005 - Black	Nylon PA6	M25	43	8	11-17
50.632 PA/SW	RAL9005 - Black	Nylon PA6	M32	50	10	15-21
50.640 PA/SW	RAL9005 - Black	Nylon PA6	M40	51	10	19-28
50.650 PA/SW	RAL9005 - Black	Nylon PA6	M50	61,5	12	27-35
50.663 PA/SW	RAL9005 - Black	Nylon PA6	M63	65,5	12	32-42

Other Styles Of Gland Are Available

Krallen Cable Gland:



Features:

- IP65 rated
- Polyamide PA6 GF30
- Sizes M12-M40
- Temp Rating of -30C to +100C
- Cable Range 4-6mm to 18-24mm

Favorit Nylon Cable Glands:



Features:

- IP55 rated
- Polyamide PA6 GF30
- Sizes M12-M40
- Temp Rating of -30C to +80C
- Cable Range 5,5-7,5mm to 18-25mm

Conus Simple & Multiple Sealing Ring



Features:

- IP65 rated
- Polyamide PA6 GF30
- Sizes M12 - M63
- Temp Rating of -30C To +80C
- RAL7035

- Simple Sealing ring cable range 6-8mm to 43-44mm
- Multiple sealing ring cable range 4-8mm to 35-45mm

Metric Nylon Cable Glands For Flat Cable:



Features:

- IP55 rated
- Material Polyamide PA6 GF30
- Sizes M25-M63
- Temp Rating of -30C to +80C
- Cable range 5x15mm to 16x45mm

IP68 Nylon Metric Perfect



IP68 Perfect Nylon Cable Gland With Reducing Insert

Part Code	Colour	Material	Size	H (mm)	L (mm)	ØC (mm)
50.612 PA/R	RAL7001 - Silver Grey	Nylon PA6	M12	31	8	2-5
50.616 PA/R	RAL7001 - Silver Grey	Nylon PA6	M16	35,5	8	3-10
50.620 PA/R	RAL7001 - Silver Grey	Nylon PA6	M20	36	8	5-13
50.625 PA/R	RAL7001 - Silver Grey	Nylon PA6	M25	43	8	8-17
50.632 PA/R	RAL7001 - Silver Grey	Nylon PA6	M32	50	10	12-21
50.640 PA/R	RAL7001 - Silver Grey	Nylon PA6	M40	51	10	16-28
50.650 PA/R	RAL7001 - Silver Grey	Nylon PA6	M50	61,5	12	21-35
50.663 PA/R	RAL7001 - Silver Grey	Nylon PA6	M63	65,5	12	27-48
50.612 PA/R7035	RAL7035 - Light Grey	Nylon PA6	M12	31	8	2-5
50.616 PA/R7035	RAL7035 - Light Grey	Nylon PA6	M16	35,5	8	3-10
50.620 PA/R7035	RAL7035 - Light Grey	Nylon PA6	M20	36	8	5-13
50.625 PA/R7035	RAL7035 - Light Grey	Nylon PA6	M25	43	8	8-17
50.632 PA/R7035	RAL7035 - Light Grey	Nylon PA6	M32	50	10	12-21
50.640 PA/R7035	RAL7035 - Light Grey	Nylon PA6	M40	51	10	16-28
50.650 PA/R7035	RAL7035 - Light Grey	Nylon PA6	M50	61,5	12	21-35
50.663 PA/R7035	RAL7035 - Light Grey	Nylon PA6	M63	65,5	12	27-48
50.612 PA/RSW	RAL9005 - Black	Nylon PA6	M12	31	8	2-5
50.616 PA/RSW	RAL9005 - Black	Nylon PA6	M16	35,5	8	3-10
50.620 PA/RSW	RAL9005 - Black	Nylon PA6	M20	36	8	5-13
50.625 PA/RSW	RAL9005 - Black	Nylon PA6	M25	43	8	8-17
50.632 PA/RSW	RAL9005 - Black	Nylon PA6	M32	50	10	12-21
50.640 PA/RSW	RAL9005 - Black	Nylon PA6	M40	51	10	16-28
50.650 PA/RSW	RAL9005 - Black	Nylon PA6	M50	61,5	12	21-35
50.663 PA/RSW	RAL9005 - Black	Nylon PA6	M63	65,5	12	27-48

IP66 Perfect Nylon Cable Gland For Flat Profile Cable

50.620 PA7035FK1	RAL7035 - Light Grey	Nylon PA6	M20	36	8	5x12max, 2x8min
50.625 PA7035FK1	RAL7035 - Light Grey	Nylon PA6	M25	43	8	6x16.3max, 2x10min
50.632 PA7035FK1	RAL7035 - Light Grey	Nylon PA6	M32	50	10	9x20max, 3x12min
50.640 PA7035FK1	RAL7035 - Light Grey	Nylon PA6	M40	51	10	10x27max, 3x19min
50.650 PA7035FK1	RAL7035 - Light Grey	Nylon PA6	M50	61,6	12	13x34max, 4x23min
50.663 PA7035FK1	RAL7035 - Light Grey	Nylon PA6	M63	65,5	12	15x46max, 6x32min
50.620 PASWFK1	RAL9005 - Black	Nylon PA6	M20	36	8	5x12max, 2x8min
50.625 PASWFK1	RAL9005 - Black	Nylon PA6	M25	43	8	6x16.3max, 2x10min
50.632 PASWFK1	RAL9005 - Black	Nylon PA6	M32	50	10	9x20max, 3x12min
50.640 PASWFK1	RAL9005 - Black	Nylon PA6	M40	51	10	10x27max, 3x19min
50.650 PASWFK1	RAL9005 - Black	Nylon PA6	M50	61,6	12	13x34max, 4x23min
50.663 PASWFK1	RAL9005 - Black	Nylon PA6	M63	65,5	12	15x46max, 6x32min



IP68 Perfect Nylon Cable Gland With Spiral Top Cable Protector

Part Code	Colour	Material	Size	H (mm)	L (mm)	ØC (mm)
50007M12BSSW	RAL9005 - Black	Nylon PA6	M12	63,5	8	3-6,5
50011M16BSSW	RAL9005 - Black	Nylon PA6	M16	94,5	15	5-10
50013M20BSSW	RAL9005 - Black	Nylon PA6	M20	101,5	11	6-12
50016M20BSSW	RAL9005 - Black	Nylon PA6	M20	116	15	10-14
50021M25BSSW	RAL9005 - Black	Nylon PA6	M25	132,5	15	13-18
50007M12PABS	RAL7001 - Silver Grey	Nylon PA6	M12	63,5	8	3-6,5
50011M16PABS	RAL7001 - Silver Grey	Nylon PA6	M16	94,5	15	5-10
50013M20PABS	RAL7001 - Silver Grey	Nylon PA6	M20	101,5	11	6-12
50016M20PABS	RAL7001 - Silver Grey	Nylon PA6	M20	116	15	10-14
50021M25PABS	RAL7001 - Silver Grey	Nylon PA6	M25	132,5	15	13-18
50007M12BS7035	RAL7035 - Light Grey	Nylon PA6	M12	63,5	8	3-6,5
50011M16BS7035	RAL7035 - Light Grey	Nylon PA6	M16	94,5	15	5-10
50013M20BS7035	RAL7035 - Light Grey	Nylon PA6	M20	101,5	11	6-12
50016M20BS7035	RAL7035 - Light Grey	Nylon PA6	M20	116	15	10-14
50021M25BS7035	RAL7035 - Light Grey	Nylon PA6	M25	132,5	15	13-18

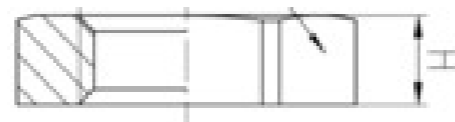
IP68 Nylon Metric Perfect

Metric Nylon Accessories



Features:

- Locknut available in V0 material
- Thread adaptors have a Temperature Range of -30c to +100C
- Flange Locknuts available



Locknuts

Part Code	Colour	Size	H (mm)	L (mm)	ØC (mm)	IP Rating	Material	Temperature Rating
50.212 PA7001	Ral7001 - Grey	M12	5	N/a	N/a	N/a	PA6 GF30	-20 to +100C
50.216 PA7001	Ral7001 - Grey	M16	5	N/a	N/a	N/a	PA6 GF30	-20 to +100C
50.220 PA7001	Ral7001 - Grey	M20	6	N/a	N/a	N/a	PA6 GF30	-20 to +100C
50.225 PA7001	Ral7001 - Grey	M25	6	N/a	N/a	N/a	PA6 GF30	-20 to +100C
50.232 PA7001	Ral7001 - Grey	M32	7	N/a	N/a	N/a	PA6 GF30	-20 to +100C
50.240 PA7001	Ral7001 - Grey	M40	7	N/a	N/a	N/a	PA6 GF30	-20 to +100C
50.250 PA7001	Ral7001 - Grey	M50	8	N/a	N/a	N/a	PA6 GF30	-20 to +100C
50.263 PA7001	Ral7001 - Grey	M63	8	N/a	N/a	N/a	PA6 GF30	-20 to +100C
50.212 PA7035	Ral7035 - Light Grey	M12	5	N/a	N/a	N/a	PA6 GF30	-20 to +100C
50.216 PA7035	Ral7035 - Light Grey	M16	5	N/a	N/a	N/a	PA6 GF30	-20 to +100C
50.220 PA7035	Ral7035 - Light Grey	M20	6	N/a	N/a	N/a	PA6 GF30	-20 to +100C
50.225 PA7035	Ral7035 - Light Grey	M25	6	N/a	N/a	N/a	PA6 GF30	-20 to +100C
50.232 PA7035	Ral7035 - Light Grey	M32	7	N/a	N/a	N/a	PA6 GF30	-20 to +100C
50.240 PA7035	Ral7035 - Light Grey	M40	7	N/a	N/a	N/a	PA6 GF30	-20 to +100C
50.250 PA7035	Ral7035 - Light Grey	M50	8	N/a	N/a	N/a	PA6 GF30	-20 to +100C
50.263 PA7035	Ral7035 - Light Grey	M63	8	N/a	N/a	N/a	PA6 GF30	-20 to +100C
50.212 PA/SW	Ral9005 - Black	M12	5	N/a	N/a	N/a	PA6 GF30	-20 to +100C
50.216 PA/SW	Ral9005 - Black	M16	5	N/a	N/a	N/a	PA6 GF30	-20 to +100C
50.220 PA/SW	Ral9005 - Black	M20	6	N/a	N/a	N/a	PA6 GF30	-20 to +100C
50.225 PA/SW	Ral9005 - Black	M25	6	N/a	N/a	N/a	PA6 GF30	-20 to +100C
50.232 PA/SW	Ral9005 - Black	M32	7	N/a	N/a	N/a	PA6 GF30	-20 to +100C
50.240 PA/SW	Ral9005 - Black	M40	7	N/a	N/a	N/a	PA6 GF30	-20 to +100C
50.250 PA/SW	Ral9005 - Black	M50	8	N/a	N/a	N/a	PA6 GF30	-20 to +100C
50.263 PA/SW	Ral9005 - Black	M63	8	N/a	N/a	N/a	PA6 GF30	-20 to +100C



Flange Locknuts

Part Code	Colour	Size	H (mm)	L (mm)	SW (mm)	IP Rating	Material	Temperature Rating
DLN16B	Ral9005 - Black	M16	7	N/a	N/a	N/a	Nylon 6	
DLN20B	Ral9005 - Black	M20	7	N/a	N/a	N/a	Nylon 6	
DLN25B	Ral9005 - Black	M25	8	N/a	N/a	N/a	Nylon 6	
DLN16G	Ral7035 - Light Grey	M16	7	N/a	N/a	N/a	Nylon 6	
DLN20G7035	Ral7035 - Light Grey	M20	7	N/a	N/a	N/a	Nylon 6	
DLN25G	Ral7035 - Light Grey	M25	8	N/a	N/a	N/a	Nylon 6	
DLN16W	Ral9010 - White	M16	7	N/a	N/a	N/a	Nylon 6	
DLN20W	Ral9010 - White	M20	7	N/a	N/a	N/a	Nylon 6	
DLN20G7001	Ral7001 - Grey	M20	7	N/a	N/a	N/a	Nylon 6	
DLN20R	Ral3000 - Flame Red	M20	7	N/a	N/a	N/a	Nylon 6	

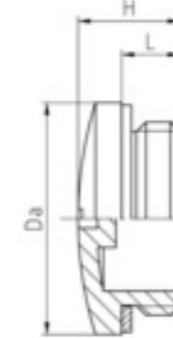
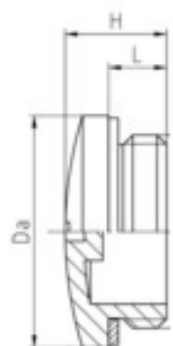
Metric Nylon Reducing Thread Adaptor

M16M12 PA/SW	Ral9005 - Black	M16M12	12	8	24	N/a	PA6	-30 to +100C
M20M12 PA/SW	Ral9005 - Black	M20M12	12	8	24	N/a	PA6	-30 to +100C
M20M16 PA/SW	Ral9005 - Black	M20M16	12	8	24	N/a	PA6	-30 to +100C
M25M12 PA/SW	Ral9005 - Black	M25M12	14	8	29	N/a	PA6	-30 to +100C
M25M16 PA/SW	Ral9005 - Black	M25M16	14	8	29	N/a	PA6	-30 to +100C
M25M20 PA/SW	Ral9005 - Black	M25M20	14	8	29	N/a	PA6	-30 to +100C
M32M12 PA/SW	Ral9005 - Black	M32M12	16	10	36	N/a	PA6	-30 to +100C
M32M16 PA/SW	Ral9005 - Black	M32M16	16	10	36	N/a	PA6	-30 to +100C
M32M20 PA/SW	Ral9005 - Black	M32M20	16	10	36	N/a	PA6	-30 to +100C
M32M25 PA/SW	Ral9005 - Black	M32M25	16	10	36	N/a	PA6	-30 to +100C
M40M16 PA/SW	Ral9005 - Black	M40M16	16	10	46	N/a	PA6	-30 to +100C
M40M20 PA/SW	Ral9005 - Black	M40M20	16	10	46	N/a	PA6	-30 to +100C
M40M25 PA/SW	Ral9005 - Black	M40M25	16	10	46	N/a	PA6	-30 to +100C
M40M32 PA/SW	Ral9005 - Black	M40M32	16	10	55	N/a	PA6	-30 to +100C
M50M20 PA/SW	Ral9005 - Black	M50M20	18	12	55	N/a	PA6	-30 to +100C
M50M25 PA/SW	Ral9005 - Black	M50M25	18	12	55	N/a	PA6	-30 to +100C
M50M32 PA/SW	Ral9005 - Black	M50M32	18	12	55	N/a	PA6	-30 to +100C
M50M40 PA/SW	Ral9005 - Black	M50M40	18	12	55	N/a	PA6	-30 to +100C
M63M25 PA/SW	Ral9005 - Black	M63M25	18	12	68	N/a	PA6	-30 to +100C
M63M32 PA/SW	Ral9005 - Black	M63M32	18	12	68	N/a	PA6	-30 to +100C
M63M40 PA/SW	Ral9005 - Black	M63M40	18	12	68	N/a	PA6	-30 to +100C
M63M50 PA/SW	Ral9005 - Black	M63M50	18	12	68	N/a	PA6	-30 to +100C

IP68 Nylon Metric Perfect

IP65 Metric Nylon Blanking Plug With Simple Sealing Ring

Part Code	Colour	Size	H (mm)	L (mm)	Da (mm)	IP Rating	Material	Temperature Rating
10.1215 PAV	Ral7001 - Grey	M12	10	6	15	IP65	PA6	-30 to +100C
10.1615 PAV	Ral7001 - Grey	M16	10,5	6	20	IP65	PA6	-30 to +100C
10.2015 PAV	Ral7001 - Grey	M20	10,5	6	24	IP65	PA6	-30 to +100C
10.2515 PAV	Ral7001 - Grey	M25	13	8	30	IP65	PA6	-30 to +100C
10.3125 PAV	Ral7001 - Grey	M32	13,5	8	37	IP65	PA6	-30 to +100C
10.4015 PAV	Ral7001 - Grey	M40	14	8	46	IP65	PA6	-30 to +100C
10.5015 PAV	Ral7001 - Grey	M50	16,5	10	56	IP65	PA6	-30 to +100C
10.6315 PAV	Ral7001 - Grey	M63	17	12	70	IP65	PA6	-30 to +100C
10.1215 PAV7035	Ral7035 - Light Grey	M12	10	6	15	IP65	PA6	-30 to +100C
10.1615 PAV7035	Ral7035 - Light Grey	M16	10,5	6	20	IP65	PA6	-30 to +100C
10.2015 PAV7035	Ral7035 - Light Grey	M20	10,5	6	24	IP65	PA6	-30 to +100C
10.2515 PAV7035	Ral7035 - Light Grey	M25	13	8	30	IP65	PA6	-30 to +100C
10.3125 PAV7035	Ral7035 - Light Grey	M32	13,5	8	37	IP65	PA6	-30 to +100C
10.4015 PAV7035	Ral7035 - Light Grey	M40	14	8	46	IP65	PA6	-30 to +100C
10.5015 PAV7035	Ral7035 - Light Grey	M50	16,5	10	56	IP65	PA6	-30 to +100C
10.6315 PAV7035	Ral7035 - Light Grey	M63	17	12	70	IP65	PA6	-30 to +100C
10.1215 PAVSW	Ral9005 - Black	M12	10	6	15	IP65	PA6	-30 to +100C
10.1615 PAVSW	Ral9005 - Black	M16	10,5	6	20	IP65	PA6	-30 to +100C
10.2015 PAVSW	Ral9005 - Black	M20	10,5	6	24	IP65	PA6	-30 to +100C
10.2515 PAVSW	Ral9005 - Black	M25	13	8	30	IP65	PA6	-30 to +100C
10.3125 PAVSW	Ral9005 - Black	M32	13,5	8	37	IP65	PA6	-30 to +100C
10.4015 PAVSW	Ral9005 - Black	M40	14	8	46	IP65	PA6	-30 to +100C
10.5015 PAVSW	Ral9005 - Black	M50	16,5	10	56	IP65	PA6	-30 to +100C
10.6315 PAVSW	Ral9005 - Black	M63	17	12	70	IP65	PA6	-30 to +100C



IP54 Metric Nylon Blanking Plug - No Sealing Ring

Part Code	For Use With	Size	H(mm)	n x Di (mm)	ØC (mm)	IP Rating	Material	Temp Rating
10.1215 PA	Ral7001 - Grey	M12	10	6	15	IP54	PA6	-30 to +100C
10.1615 PA	Ral7001 - Grey	M16	10,5	6	20	IP54	PA6	-30 to +100C
10.2015 PA	Ral7001 - Grey	M20	10,5	6	24	IP54	PA6	-30 to +100C
10.2515 PA	Ral7001 - Grey	M25	13	8	30	IP54	PA6	-30 to +100C
10.3125 PA	Ral7001 - Grey	M32	13,5	8	37	IP54	PA6	-30 to +100C
10.4015 PA	Ral7001 - Grey	M40	14	8	46	IP54	PA6	-30 to +100C
10.5015 PA	Ral7001 - Grey	M50	16,5	10	56	IP54	PA6	-30 to +100C
10.6315 PA	Ral7001 - Grey	M63	17	12	70	IP54	PA6	-30 to +100C
10.1215 PA7035	Ral7035 - Light Grey	M12	10	6	15	IP54	PA6	-30 to +100C
10.1615 PA7035	Ral7035 - Light Grey	M16	10,5	6	20	IP54	PA6	-30 to +100C
10.2015 PA7035	Ral7035 - Light Grey	M20	10,5	6	24	IP54	PA6	-30 to +100C
10.2515 PA7035	Ral7035 - Light Grey	M25	13	8	30	IP54	PA6	-30 to +100C
10.3125 PA7035	Ral7035 - Light Grey	M32	13,5	8	37	IP54	PA6	-30 to +100C
10.4015 PA7035	Ral7035 - Light Grey	M40	14	8	46	IP54	PA6	-30 to +100C
10.5015 PA7035	Ral7035 - Light Grey	M50	16,5	10	56	IP54	PA6	-30 to +100C
10.6315 PA7035	Ral7035 - Light Grey	M63	17	12	70	IP54	PA6	-30 to +100C
10.1215 PASW	Ral9005 - Black	M12	10	6	15	IP54	PA6	-30 to +100C
10.1615 PASW	Ral9005 - Black	M16	10,5	6	20	IP54	PA6	-30 to +100C
10.2015 PASW	Ral9005 - Black	M20	10,5	6	24	IP54	PA6	-30 to +100C
10.2515 PASW	Ral9005 - Black	M25	13	8	30	IP54	PA6	-30 to +100C
10.3125 PASW	Ral9005 - Black	M32	13,5	8	37	IP54	PA6	-30 to +100C
10.4015 PASW	Ral9005 - Black	M40	14	8	46	IP54	PA6	-30 to +100C
10.5015 PASW	Ral9005 - Black	M50	16,5	10	56	IP54	PA6	-30 to +100C
10.6315 PASW	Ral9005 - Black	M63	17	12	70	IP54	PA6	-30 to +100C

IP65 Metric Nylon Blanking Plug With Simple Sealing Ring

WJ-DM 12/3x2.3	Perfect series 50.6xx PAzzzz & Perfect series 50.1xx Pazzzz. Other sizes and hole configurations also available - please request details.	M12	6.6	3x2.3	8.5	N/a	Evoprene TPE	-30c to +100c
WJ-DM 16/2x4.5		M16	7.6	2x4.5	11.7	N/a	Evoprene TPE	-30c to +100c
WJ-DM 16/4x2.3		M16	7.6	4x2.3	11.7	N/a	Evoprene TPE	-30c to +100c
WJ-DM 20/2x4		M20	7.5	2x4	15.1	N/a	Evoprene TPE	-30c to +100c
WJ-DM 20/2x6		M20	7.5	2x6	15.1	N/a	Evoprene TPE	-30c to +100c
WJ-DM 20/4x5		M20	7.5	4x5	15.1	N/a	Evoprene TPE	-30c to +100c
WJ-DM 25/3x6		M25	9.3	3x6	19.8	N/a	Evoprene TPE	-30c to +100c
WJ-DM 25/3x7		M25	9.3	3x7	19.8	N/a	Evoprene TPE	-30c to +100c
WJ-DM 25/4x5		M25	9.3	4x5	19.8	N/a	Evoprene TPE	-30c to +100c
WJ-DM 25/4x6		M25	9.3	4x6	19.8	N/a	Evoprene TPE	-30c to +100c
WJ-DM 32/4x7		M32	12.5	4x7	25.1	N/a	Evoprene TPE	-30c to +100c
WJ-DM 32/4x8		M32	12.5	4x8	25.1	N/a	Evoprene TPE	-30c to +100c
WJ-DM 32/4x8.5		M32	12.5	4x8.5	25.1	N/a	Evoprene TPE	-30c to +100c
WJ-DM 40/5x8.5		M40	15	5x8.5	32.3	N/a	Evoprene TPE	-30c to +100c
WJ-DM 12 STO	M12	6.6		8.5	N/a	Evoprene TPE	-30c to +100c	



Perfect Metric Stainless Steel Cable Glands



Features:

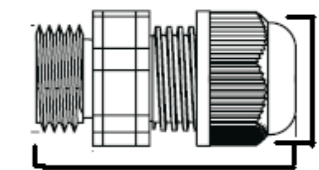
- Stainless Steel
- Integrated anchorage
- Protection against twisting
- Wide sealing & clamping ranges
- Easy to install

TeeGlands



Features:

- One piece Bi-material moulded gland body
- Incorporates cable sealing ring and sealing washer in one unit - No additional gaskets required.
- Saves time on assembly
- Suitable for applications in all major industry sections.
- Moulded sealing material - Grey TPE-V std. Other colours available to order on request



- 2 Hole Insert

IP68 Perfect Stainless Steel Cable Gland



Part Code	Size	H (mm)	L (mm)	ØC (mm)	Temp Rating
50.612 ES	M12	25	5	3-6	-20 to +100C
50.616 ES	M16	30	5	5-9	-20 to +100C
50.620 ES	M20	33,5	6	9-13	-20 to +100C
50.625 ES	M25	36,5	7	11-16	-20 to +100C
50.632 ES	M32	38	8	14-21	-20 to +100C
50.640 ES	M40	41	8	19-27	-20 to +100C
50.650 ES	M50	49,5	9	24-35	-20 to +100C
50.663 ES	M63	52,5	10	32-42	-20 to +100C

IP68 Perfect EMC Gland Stainless Steel



50.616 ES/EMV	M16	30	5	5-9	-20 to +100C
50.620 ES/EMV	M20	33,5	6	9-13	-20 to +100C
50.625 ES/EMV	M25	36,5	7	11-16	-20 to +100C
50.632 ES/EMV	M32	38	8	14-21	-20 to +100C

IP65 WADI EMC Cable Gland NBR Sealing Insert



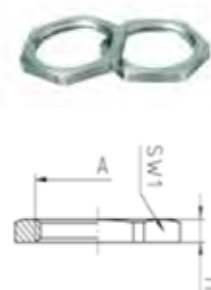
101011M16ES	M16	25	6	7-11,5	-30 to +100C
101016M20ES	M20	26	6	8-15	-30 to +100C
101021M25ES	M25	31	7,5	13-20	-30 to +100C
101029M32ES	M32	32	8	18-25,5	-30 to +100C

IP65 WADI EMC High Temp Cable Gland Viton Sealing Insert



101011M16ES	M16	25	6	7-11,5	-18 to +200C
101016M20ES	M20	26	6	8-15	-18 to +200C
101021M25ES	M25	31	7,5	13-20	-18 to +200C
101029M32ES	M32	32	8	18-25,5	-18 to +200C

Stainless Steel Locknut



Part Code	Size	H (mm)	SW1 (mm)	A (mm)	Temp Rating
50.212 ES	M12	2,8	14	M12x1,5	Upto +200C
50.216ES	M16	2,8	19	M16x1,5	Upto +200C
50.220ES	M20	3	24	M20x1,5	Upto +200C
50.225ES	M25	3,5	30	M25x1,5	Upto +200C
50.232ES	M32	4	36	M32x1,5	Upto +200C
50.240ES	M40	5	46	M40x1,5	Upto +200C
50.250ES	M50	5	60	M50x1,5	Upto +200C
50.263ES	M63	6	70	M63x1,5	Upto +200C

Metric TeeGlands

Product Code	IP Rating	Colour	Material	H (mm)	Size	Thread Length (mm)	Cable Diameter (mm)
THB.450.A0A	68	Black	Nylon 66	35	M16	8	4 to 7.5
THB.450.A0E	68	Grey	Nylon 66	35	M16	8	4 to 7.5
THB.450.B0A	68	Black	Nylon 66	35	M16	8	7.5 to 9.5
THB.450.B0E	68	Grey	Nylon 66	35	M16	8	7.5 to 9.5
THB.451.A0A	68	Black	Nylon 66	38	M20	8	2x6mm max
THB.451.A0E	68	Grey	Nylon 66	38	M20	8	2x6mm max
THB.451.B0A	68	Black	Nylon 66	38	M20	8	7 to 10.5
THB.451.B0E	68	Grey	Nylon 66	38	M20	8	7 to 10.5
THB.451.B0A	68	Black	Nylon 66	38	M20	8	10.5 to 14
THB.451.B0E	68	Grey	Nylon 66	38	M20	8	10.5 to 14
THB.452.A1A	68	Black	Nylon 66	38	M25	8	2x6mm max
THB.452.A1E	68	Grey	Nylon 66	38	M25	8	2x6mm max
THB.452.B1A	68	Black	Nylon 66	38	M25	8	7 to 10.5
THB.452.B1E	68	Grey	Nylon 66	38	M25	8	7 to 10.5
THB.452.B1A	68	Black	Nylon 66	38	M25	8	10.5 to 14
THB.452.B1E	68	Grey	Nylon 66	38	M25	8	10.5 to 14

Plastic TeeGlands

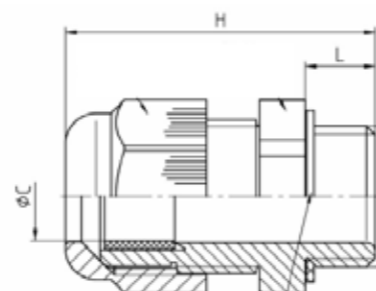
THB.451.A1A	68	Black	Nylon 66	35	PG9	8	4 to 7.5
THB.451.A1E	68	Grey	Nylon 66	35	PG9	8	4 to 7.5
THB.451.B1A	68	Black	Nylon 66	35	PG9	8	7.5 to 9.5
THB.451.B1E	68	Grey	Nylon 66	35	PG9	8	7.5 to 9.5
THB.451.A1A	68	Black	Nylon 66	38	PG13.5	8	2x6mm max
THB.451.A1E	68	Grey	Nylon 66	38	PG13.5	8	2x6mm max
THB.451.B1A	68	Black	Nylon 66	38	PG13.5	8	7 to 10.5
THB.451.B1E	68	Grey	Nylon 66	38	PG13.5	8	7 to 10.5
THB.451.B1A	68	Black	Nylon 66	38	PG13.5	8	10.5 to 14
THB.451.B1E	68	Grey	Nylon 66	38	PG13.5	8	10.5 to 14
THB.452.A2A	68	Black	Nylon 66	38	PG16	8	2x6mm max
THB.452.A2E	68	Grey	Nylon 66	38	PG16	8	2x6mm max
THB.452.B2A	68	Black	Nylon 66	38	PG16	8	7 to 10.5
THB.452.B2E	68	Grey	Nylon 66	38	PG16	8	7 to 10.5
THB.452.B2A	68	Black	Nylon 66	38	PG16	8	10.5 to 14
THB.452.B2E	68	Grey	Nylon 66	38	PG16	8	10.5 to 14

Perfect PG Nickel Plated Brass Cable Glands



Features:

- PG Nickel Plated Brass
- Easy to install
- 50.0xx range offers protection against twisting and also offers integrated anchorage
- EMC Versions available



IP68 Perfect Nickel Plated Brass Cable Gland

Part Code	IP Rating	Size	H (mm)	L (mm)	ØC (mm)	Temp Rating
50.007	IP68	Pg 7	24	5	3 -6,5	-20 to +100C
50.009	IP68	Pg 9	29	6	4-8	-20 to +100C
50.011	IP68	Pg 11	29,5	6	5-10	-20 to +100C
50.013	IP68	Pg 13,5	31,5	6,5	6-12	-20 to +100C
50.016	IP68	Pg 16	31,5	6,5	10-14	-20 to +100C
50.021	IP68	Pg 21	34	7	13-18	-20 to +100C
50.029	IP68	Pg 29	39	8	18-25	-20 to +100C
50.036	IP68	Pg 36	45	9	24-32	-20 to +100C
50.042	IP68	Pg 42	49	10	30-38	-20 to +100C
50.048	IP68	Pg 48	52	10	34-44	-20 to +100C

IP68 Perfect Nickel Plated Reducing Brass Cable Gland

50.007 R	IP68	Pg 7	24	5	2 -5	-20 to +100C
50.009 R	IP68	Pg 9	29	6	2 -6	-20 to +100C
50.011 R	IP68	Pg 11	29,5	6	3 -7	-20 to +100C
50.013 R	IP68	Pg 13,5	31,5	6,5	5 -9	-20 to +100C
50.016 R	IP68	Pg 16	31,5	6,5	7 -12	-20 to +100C
50.021 R	IP68	Pg 21	34	7	9 -16	-20 to +100C
50.029 R	IP68	Pg 29	39	8	12 -20	-20 to +100C
50.036 R	IP68	Pg 36	45	9	20 -26	-20 to +100C

IP68 Perfect Nickel Plated Brass Emv Cable Gland

50.007/EMV	IP68	Pg 7	24	5	3 -6,5	-20 to +100C
50.009/EMV	IP68	Pg 9	29	6	4-8	-20 to +100C
50.011/EMV	IP68	Pg 11	29,5	6	5-10	-20 to +100C
50.013/EMV	IP68	Pg 13,5	31,5	6,5	6-12	-20 to +100C
50.016/EMV	IP68	Pg 16	31,5	6,5	10-14	-20 to +100C
50.021/EMV	IP68	Pg 21	34	7	13-18	-20 to +100C
50.029/EMV	IP68	Pg 29	39	8	18-25	-20 to +100C
50.036/EMV	IP68	Pg 36	45	9	24-32	-20 to +100C
50.042/EMV	IP68	Pg 42	49	10	30-38	-20 to +100C
50.048/EMV	IP68	Pg 48	52	10	34-44	-20 to +100C



Accessories

Features:

- MPOT locknuts allow for equipotential bonding
- Locknuts are Nickel plated brass
- Locknuts have a temperature rating of -60c to 200c
- Sealing rings Are Constructed from Evoprene TPE

Brass Hexagonal Locknuts

Part Code	IP Rating	Size	H (mm)	L (mm)	ØC (mm)	Temp Rating
207M	N/a	PG7	2,8	N/a	N/a	-60 to +200C
209M	N/a	PG9	2,8	N/a	N/a	-60 to +200C
211M	N/a	PG11	3	N/a	N/a	-60 to +200C
213M	N/a	PG13,5	3	N/a	N/a	-60 to +200C
216M	N/a	PG16	3	N/a	N/a	-60 to +200C
221M	N/a	PG21	3,5	N/a	N/a	-60 to +200C
229M	N/a	PG29	4	N/a	N/a	-60 to +200C
236M	N/a	PG36	5	N/a	N/a	-60 to +200C
242M	N/a	PG42	5	N/a	N/a	-60 to +200C
248M	N/a	PG48	5,5	N/a	N/a	-60 to +200C

Hexagonal Locknuts EMC

207 MPOT	N/a	PG7	4,7	3,7	N/a	-60 to +200C
209 MPOT	N/a	PG9	4,7	3,7	N/a	-60 to +200C
211 MPOT	N/a	PG11	4,7	3,7	N/a	-60 to +200C
213 MPOT	N/a	PG13,5	4,7	3,7	N/a	-60 to +200C

Hexagonal Locknuts EMC (Continued)

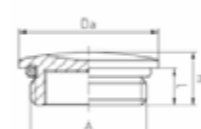
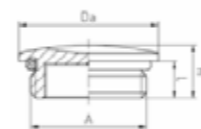
216 MPOT	N/a	PG16	4,7	3,7	N/a	-60 to +200C
221 MPOT	N/a	PG21	5,2	4,2	N/a	-60 to +200C
229 MPOT	N/a	PG29	5,7	4,7	N/a	-60 to +200C
236 MPOT	N/a	PG36	6	5	N/a	-60 to +200C
242 MPOT	N/a	PG42	6	5	N/a	-60 to +200C
248 MPOT	N/a	PG48	6,5	5,5	N/a	-60 to +200C
1007 M	IP54	PG7	6	5	14	-60 to +200C

IP54 Screw Plug Top With Slot Top Silver Nickel Plated Brass

1009 M	IP54	PG9	9	6	17	-60 to +200C
1011 M	IP54	PG11	9	6	20	-60 to +200C
1013 M	IP54	PG13	9,5	6,5	22	-60 to +200C
1016 M	IP54	PG16	9,5	6,5	24	-60 to +200C
1021 M	IP54	PG21	11	7	30	-60 to +200C
1029 M	IP54	PG29	12	8	39	-60 to +200C
1036 M	IP54	PG36	15	9	50	-60 to +200C
1042 M	IP54	PG42	16	10	57	-60 to +200C
1048 M	IP54	PG48	16	10	64	-60 to +200C

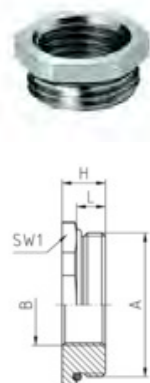
IP68 Screw Plug With O Ring And Slot Top

1007 M/G	IP68	PG7	7	4,5	16	-30 to +100C
1009 M/G	IP68	PG9	8	4,5	19	-30 to +100C
1011 M/G	IP68	PG11	8	4,5	22	-30 to +100C
1013 M/G	IP68	PG13	10	6	24	-30 to +100C
1016 M/G	IP68	PG16	10	6	26	-30 to +100C
1021 M/G	IP68	PG21	10	6,5	32	-30 to +100C
1029 M/G	IP68	PG29	12	8	39	-30 to +100C
1036 M/G	IP68	PG36	15	9	50	-30 to +100C
1042 M/G	IP68	PG42	16	10	57	-30 to +100C
1048 M/G	IP68	PG48	16	10	64	-30 to +100C



Perfect PG Nickel Plated Brass Cable Glands

IP68 Reducing Adaptor With O Ring Seal And Hex Collar



Part Code	IP Rating	Size	H (mm)	L (mm)	ØC (mm)	Temp Rating
60907/OM	IP68	PG9PG7	8,5	6	N/a	-30 to +100C
61107/OM	IP68	PG11PG7	8,5	6	N/a	-30 to +100C
61109/OM	IP68	PG11PG9	8,5	6	N/a	-30 to +100C
61307/OM	IP68	PG13PG7	9,5	6,5	N/a	-30 to +100C
61309/OM	IP68	PG13PG9	9,5	6,5	N/a	-30 to +100C
61311/OM	IP68	PG13PG11	9,5	6,5	N/a	-30 to +100C
61607/OM	IP68	PG16PG7	9,5	6,5	N/a	-30 to +100C
61609/OM	IP68	PG16PG9	9,5	6,5	N/a	-30 to +100C
61611/OM	IP68	PG16PG11	9,5	6,5	N/a	-30 to +100C
61613/OM	IP68	PG16PG13	9,5	6,5	N/a	-30 to +100C
62111/OM	IP68	PG21PG11	10	7	N/a	-30 to +100C
62113/OM	IP68	PG21PG13	10	7	N/a	-30 to +100C
62116/OM	IP68	PG21PG16	10	7	N/a	-30 to +100C
62916/OM	IP68	PG29PG16	11,5	8	N/a	-30 to +100C
62921/OM	IP68	PG29PG21	11,5	8	N/a	-30 to +100C
63621/OM	IP68	PG36PG21	12,5	9	N/a	-30 to +100C
63629/OM	IP68	PG36PG29	12,5	9	N/a	-30 to +100C
64236/OM	IP68	PG42PG36	14	10	N/a	-30 to +100C

Multihole Sealing insert



Part Code	For Use With	Size	IP Rating	H (mm)	n x Di (mm)	ØC (mm)	Temp Rating	Material
WJ-D 9/3x2	Perfect series 50.0xx & Perfect series 50.1xx Other sizes and hole configurations also available - please request details.	PG9	N/a	7.5	3x2	10.6	-.30c to +100c	Evoprene TPE
WJ-D 9/3x3.5		PG9	N/a	7.5	3x3.5	10.6	-.30c to +100c	Evoprene TPE
WJ-D 11/2x5		PG11	N/a	8.5	2x5	13.3	-.30c to +100c	Evoprene TPE
WJ-D 11/3x3		PG11	N/a	8.5	3x3	13.3	-.30c to +100c	Evoprene TPE
WJ-D 11/3x4		PG11	N/a	8.5	3x4	13.3	-.30c to +100c	Evoprene TPE
WJ-D 13/2x5		PG13.5	N/a	8.5	2x5	15.3	-.30c to +100c	Evoprene TPE
WJ-D 13/2x6		PG13.5	N/a	8.5	2x6	15.3	-.30c to +100c	Evoprene TPE
WJ-D 13/3x4		PG13.5	N/a	8.5	3x4	15.3	-.30c to +100c	Evoprene TPE
WJ-D16/3x6		PG16	N/a	9	3x6	17.4	-.30c to +100c	Evoprene TPE
WJ-D16/3x6.5		PG16	N/a	9	3x6.5	17.4	-.30c to +100c	Evoprene TPE
WJ-D 16/3x7		PG16	N/a	9	3x7	17.4	-.30c to +100c	Evoprene TPE
WJ-D 16/4x4		PG16	N/a	9	4x4	17.4	-.30c to +100c	Evoprene TPE
WJ-D 21/3x7		PG21	N/a	11	3x7	22.2	-.30c to +100c	Evoprene TPE
WJ-D 21/3x8		PG21	N/a	11	3x8	22.2	-.30c to +100c	Evoprene TPE
WJ-D 21/4x5		PG21	N/a	11	4x5	22.2	-.30c to +100c	Evoprene TPE
WJ-D 21/4x6.5		PG21	N/a	11	4x6.5	22.2	-.30c to +100c	Evoprene TPE
WJ-D 29/6x5	PG29	N/a	13	6x5	29.8	-.30c to +100c	Evoprene TPE	
WJ-D 29/6x7.5	PG29	N/a	13	6x7.5	29.8	-.30c to +100c	Evoprene TPE	

Other Styles Of Gland Are Available

Gland With Clamping Jaw



- Features:**
- IP55
 - Material PG Nickel Plated Brass
 - Temp Rating Of -30°C to 100°C
 - Sizes Ranges PG7 to PG48

Favorit Cable Glands:



- Features:**
- IP55
 - PG Nickel Plated Brass
 - Temp Rating of -30c to +100c
 - Sizes Range PG9 To PG29
 - Also Available With Rubber Bushing

Favorit Pressure Screw



- Features:**
- PG Nickel plated Brass
 - Temp Rating Of -60C to +200C
 - Sizes Range PG9 to PG29

Cable Glands For Flat Cables



- Features:**
- IP55
 - PG Nickel Plated Brass
 - Sizes M25-M63
 - Temp Rating Of -30C to + 80C
 - Sizes Range PG16 to PG48

Kompakt Pressure Screw



- Features:**
- PG Nickel plated Brass
 - Temp Rating Of -60c +200c
 - Sizes Range PG9 to PG29

Kompakt Cable Glands



- Features:**
- IP55
 - PG Nickel Plated Brass
 - Temp Rating Of -30C To +100c
 - Sizes Range PG9 to PG48
 - Also Available With Rubber Bushing

Cable Gland With Bend protection



- Features:**
- IP65
 - PG Nickel plated brass
 - Temp Rating Of -30c to +100C
 - Sizes Range PG9 To PG29

Multiple & Simple Sealing rings



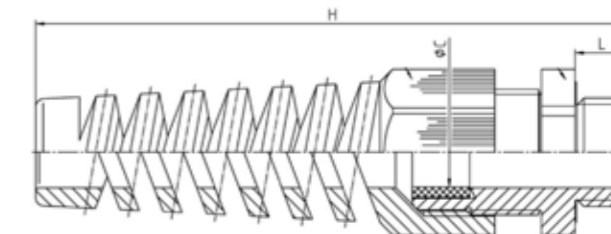
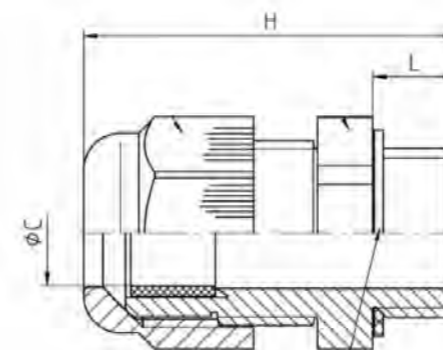
- Features:**
- IP55
 - PG nickel plated brass
 - Temp rating of -30c to +100c
 - Size Range PG9 to PG48

Perfect PG Nylon Cable Glands



Features:

- PG Nylon
- Easy to install
- 50.0xx range offers protection against twisting and also offers integrated anchorage
- Temperature rating -20c to + 100c



IP68 Pg Perfect Nylon Cable Gland

Part Code	Colour	Size	H (mm)	L (mm)	ØC (mm)	Material
50.007 PA	RAL7001 - Silver Grey	Pg 7	30,5	8	3-6,5	Polyamide PA6 V-2
50.009 PA	RAL7001 - Silver Grey	Pg 9	34	8	4-8	Polyamide PA6 V-2
50.011 PA	RAL7001 - Silver Grey	Pg 11	37	8	5-10	Polyamide PA6 V-2
50.013 PA	RAL7001 - Silver Grey	Pg 13,5	39	9	6-12	Polyamide PA6 V-2
50.016 PA	RAL7001 - Silver Grey	Pg 16	42,5	10	10-14	Polyamide PA6 V-2
50.021 PA	RAL7001 - Silver Grey	Pg 21	47,5	11	13-18	Polyamide PA6 V-2
50.029 PA	RAL7001 - Silver Grey	Pg 29	53	11	18-25	Polyamide PA6 V-2
50.036 PA	RAL7001 - Silver Grey	Pg 36	61	13	22-32	Polyamide PA6 V-2
50.042 PA	RAL7001 - Silver Grey	Pg 42	65	13	30-38	Polyamide PA6 V-2
50.048 PA	RAL7001 - Silver Grey	Pg 48	67	14	34-44	Polyamide PA6 V-2
50.007 PA7035	RAL7035 - Light Grey	Pg 7	30,5	8	3-6,5	Polyamide PA6 V-2
50.009 PA7035	RAL7035 - Light Grey	Pg 9	34	8	4-8	Polyamide PA6 V-2
50.011 PA7035	RAL7035 - Light Grey	Pg 11	37	8	5-10	Polyamide PA6 V-2
50.013 PA7035	RAL7035 - Light Grey	Pg 13,5	39	9	6-12	Polyamide PA6 V-2
50.016 PA7035	RAL7035 - Light Grey	Pg 16	42,5	10	10-14	Polyamide PA6 V-2
50.021 PA7035	RAL7035 - Light Grey	Pg 21	47,5	11	13-18	Polyamide PA6 V-2
50.029 PA7035	RAL7035 - Light Grey	Pg 29	53	11	18-25	Polyamide PA6 V-2
50.036 PA7035	RAL7035 - Light Grey	Pg 36	61	13	22-32	Polyamide PA6 V-2
50.042 PA7035	RAL7035 - Light Grey	Pg 42	65	13	30-38	Polyamide PA6 V-2
50.048 PA7035	RAL7035 - Light Grey	Pg 48	67	14	34-44	Polyamide PA6 V-2
50.007 PA/SW	RAL9005 - Black	Pg 7	30,5	8	3-6,5	Polyamide PA6 V-2
50.009 PA/SW	RAL9005 - Black	Pg 9	34	8	4-8	Polyamide PA6 V-2
50.011 PA/SW	RAL9005 - Black	Pg 11	37	8	5-10	Polyamide PA6 V-2
50.013 PA/SW	RAL9005 - Black	Pg 13,5	39	9	6-12	Polyamide PA6 V-2
50.016 PA/SW	RAL9005 - Black	Pg 16	42,5	10	10-14	Polyamide PA6 V-2
50.021 PA/SW	RAL9005 - Black	Pg 21	47,5	11	13-18	Polyamide PA6 V-2
50.029 PA/SW	RAL9005 - Black	Pg 29	53	11	18-25	Polyamide PA6 V-2
50.036 PA/SW	RAL9005 - Black	Pg 36	61	13	22-32	Polyamide PA6 V-2
50.042 PA/SW	RAL9005 - Black	Pg 42	65	13	30-38	Polyamide PA6 V-2
50.048 PA/SW	RAL9005 - Black	Pg 48	67	14	34-44	Polyamide PA6 V-2



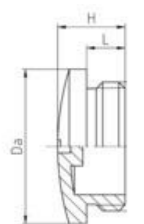
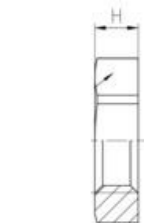
IP68 Perfect Nylon Cable Gland With Spiral Top Cable Protector

Part Code	Colour	Size	H (mm)	L (mm)	ØC (mm)	Material
50.007 PA/BS	RAL7001 - Silver Grey	Pg 7	63	8	3-6,5	Polyamide PA6 V-2
50.009 PA/BS	RAL7001 - Silver Grey	Pg 9	74	8	4-8	Polyamide PA6 V-2
50.011 PA/BS	RAL7001 - Silver Grey	Pg 11	87	8	5-10	Polyamide PA6 V-2
50.013 PA/BS	RAL7001 - Silver Grey	Pg 13,5	98	9	6-12	Polyamide PA6 V-2
50.016 PA/BS	RAL7001 - Silver Grey	Pg 16	112	10	10-14	Polyamide PA6 V-2
50.021 PA/BS	RAL7001 - Silver Grey	Pg 21	130	11	13-18	Polyamide PA6 V-2
50.007 PABSSW	RAL9005 - Black	Pg 7	63	8	3-6,5	Polyamide PA6 V-2
50.009 PABSSW	RAL9005 - Black	Pg 9	74	8	4-8	Polyamide PA6 V-2
50.011 PABSSW	RAL9005 - Black	Pg 11	87	8	5-10	Polyamide PA6 V-2
50.013 PABSSW	RAL9005 - Black	Pg 13,5	98	9	6-12	Polyamide PA6 V-2
50.016 PABSSW	RAL9005 - Black	Pg 16	112	10	10-14	Polyamide PA6 V-2
50.021 PABSSW	RAL9005 - Black	Pg 21	130	11	13-18	Polyamide PA6 V-2
50007PABS7035	RAL7035 - Light Grey	Pg 7	63	8	3-6,5	Polyamide PA6 V-2
50009PABS7035	RAL7035 - Light Grey	Pg 9	74	8	4-8	Polyamide PA6 V-2
50011PABS7035	RAL7035 - Light Grey	Pg 11	87	8	5-10	Polyamide PA6 V-2
50013PABS7035	RAL7035 - Light Grey	Pg 13,5	98	9	6-12	Polyamide PA6 V-2
50016PABS7035	RAL7035 - Light Grey	Pg 16	112	10	10-14	Polyamide PA6 V-2
50021PABS7035	RAL7035 - Light Grey	Pg 21	130	11	13-18	Polyamide PA6 V-2

Perfect PG Nylon Cable Glands

Accessories

LockNuts



Part Code	Colour	Size	IP Rating	H (mm)	L (mm)	ØC (mm)	Temp Rating	Material
207 PA	RAL7001 - Silver Grey	Pg7	N/a	5	N/a	N/a	-20 to +100C	PA6 GF30
209 PA	RAL7001 - Silver Grey	PG9	N/a	5	N/a	N/a	-20 to +100C	PA6 GF30
211 PA	RAL7001 - Silver Grey	PG11	N/a	5	N/a	N/a	-20 to +100C	PA6 GF30
213 PA	RAL7001 - Silver Grey	PG13	N/a	6	N/a	N/a	-20 to +100C	PA6 GF30
216 PA	RAL7001 - Silver Grey	PG16	N/a	6	N/a	N/a	-20 to +100C	PA6 GF30
221 PA	RAL7001 - Silver Grey	PG21	N/a	7	N/a	N/a	-20 to +100C	PA6 GF30
229 PA	RAL7001 - Silver Grey	PG29	N/a	7	N/a	N/a	-20 to +100C	PA6 GF30
236 PA	RAL7001 - Silver Grey	PG36	N/a	8	N/a	N/a	-20 to +100C	PA6 GF30
242 PA	RAL7001 - Silver Grey	PG42	N/a	8	N/a	N/a	-20 to +100C	PA6 GF30
248 PA	RAL7001 - Silver Grey	PG48	N/a	8	N/a	N/a	-20 to +100C	PA6 GF30
207 PG	RAL7035 - Light Grey	Pg7	N/a	5	N/a	N/a	-20 to +100C	PA6 GF30
209 PG	RAL7035 - Light Grey	PG9	N/a	5	N/a	N/a	-20 to +100C	PA6 GF30
211 PG	RAL7035 - Light Grey	PG11	N/a	5	N/a	N/a	-20 to +100C	PA6 GF30
213 PG	RAL7035 - Light Grey	PG13	N/a	6	N/a	N/a	-20 to +100C	PA6 GF30
216 PG	RAL7035 - Light Grey	PG16	N/a	6	N/a	N/a	-20 to +100C	PA6 GF30
221 PG	RAL7035 - Light Grey	PG21	N/a	7	N/a	N/a	-20 to +100C	PA6 GF30
229 PG	RAL7035 - Light Grey	PG29	N/a	7	N/a	N/a	-20 to +100C	PA6 GF30
236 PG	RAL7035 - Light Grey	PG36	N/a	8	N/a	N/a	-20 to +100C	PA6 GF30
242 PG	RAL7035 - Light Grey	PG42	N/a	8	N/a	N/a	-20 to +100C	PA6 GF30
248 PG	RAL7035 - Light Grey	PG48	N/a	8	N/a	N/a	-20 to +100C	PA6 GF30
207 PA/SW	RAL9005 - Black	Pg7	N/a	5	N/a	N/a	-20 to +100C	PA6 GF30
209 PA/SW	RAL9005 - Black	PG9	N/a	5	N/a	N/a	-20 to +100C	PA6 GF30
211 PA/SW	RAL9005 - Black	PG11	N/a	5	N/a	N/a	-20 to +100C	PA6 GF30
213 PA/SW	RAL9005 - Black	PG13	N/a	6	N/a	N/a	-20 to +100C	PA6 GF30
216 PA/SW	RAL9005 - Black	PG16	N/a	6	N/a	N/a	-20 to +100C	PA6 GF30
221 PA/SW	RAL9005 - Black	PG21	N/a	7	N/a	N/a	-20 to +100C	PA6 GF30
229 PA/SW	RAL9005 - Black	PG29	N/a	7	N/a	N/a	-20 to +100C	PA6 GF30
236 PA/SW	RAL9005 - Black	PG36	N/a	8	N/a	N/a	-20 to +100C	PA6 GF30
242 PA/SW	RAL9005 - Black	PG42	N/a	8	N/a	N/a	-20 to +100C	PA6 GF30
248 PA/SW	RAL9005 - Black	PG48	N/a	8	N/a	N/a	-20 to +100C	PA6 GF30

IP54 Screw Plug



Part Code	Colour	Size	IP Rating	H (mm)	L (mm)	Da (mm)	Temp Rating	Material
1007 PA	RAL7035 - Light Grey	PG7	IP54	10	6	15	-30C to +90C	PA6
1009 PA	RAL7035 - Light Grey	PG9	IP54	10	6	19	-30C to +90C	PA6
1011 PA	RAL7035 - Light Grey	PG11	IP54	10	6	22	-30C to +90C	PA6
1013 PA	RAL7035 - Light Grey	PG13	IP54	10	6	25	-30C to +90C	PA6
1016 PA	RAL7035 - Light Grey	PG16	IP54	10	6	27	-30C to +90C	PA6
1021 PA	RAL7035 - Light Grey	PG21	IP54	12,5	8	33	-30C to +90C	PA6
1029 PA	RAL7035 - Light Grey	PG29	IP54	13	8	44,5	-30C to +90C	PA6
1036 PA	RAL7035 - Light Grey	PG36	IP54	15	10	55,5	-30C to +90C	PA6
1042 PA	RAL7035 - Light Grey	PG42	IP54	15,5	10	62,5	-30C to +90C	PA6
1048 PA	RAL7035 - Light Grey	PG48	IP54	17	12	69,5	-30C to +90C	PA6

Multihole Sealing Insert



Part Code	For Use With	Size	IP Rating	H(mm)	n x Di (mm)	ØC (mm)	Temp Rating	Material
WJ-D 9/3x2	Perfect series 50.0xx Pazzzzz & Perfect series 50.1xx Pazzzzz. Other sizes and hole configurations also available - please request details.	PG9	N/a	7.5	3x2	10.6	-30C to +90C	Evoprene TPE
WJ-D 9/3x3.5		PG9	N/a	7.5	3x3.5	10.6	-30C to +90C	Evoprene TPE
WJ-D 11/2x5		PG11	N/a	8.5	2x5	13.3	-30C to +90C	Evoprene TPE
WJ-D 11/3x3		PG11	N/a	8.5	3x3	13.3	-30C to +90C	Evoprene TPE
WJ-D 11/3x4		PG11	N/a	8.5	3x4	13.3	-30C to +90C	Evoprene TPE
WJ-D 13/2x5		PG13.5	N/a	8.5	2x5	15.3	-30C to +90C	Evoprene TPE
WJ-D 13/2x6		PG13.5	N/a	8.5	2x6	15.3	-30C to +90C	Evoprene TPE
WJ-D 13/3x4		PG13.5	N/a	8.5	3x4	15.3	-30C to +90C	Evoprene TPE
WJ-D16/3x6		PG16	N/a	9	3x6	17.4	-30C to +90C	Evoprene TPE
WJ-D16/3x6.5		PG16	N/a	9	3x6.5	17.4	-30C to +90C	Evoprene TPE
WJ-D 16/3x7		PG16	N/a	9	3x7	17.4	-30C to +90C	Evoprene TPE
WJ-D 16/4x4		PG16	N/a	9	4x4	17.4	-30C to +90C	Evoprene TPE
WJ-D 21/3x7		PG21	N/a	11	3x7	22.2	-30C to +90C	Evoprene TPE
WJ-D 21/3x8		PG21	N/a	11	3x8	22.2	-30C to +90C	Evoprene TPE
WJ-D 21/4x5		PG21	N/a	11	4x5	22.2	-30C to +90C	Evoprene TPE
WJ-D 21/4x6.5		PG21	N/a	11	4x6.5	22.2	-30C to +90C	Evoprene TPE
WJ-D 29/6x5		PG29	N/a	13	6x5	29.8	-30C to +90C	Evoprene TPE
WJ-D 29/6x7.5		PG29	N/a	13	6x7.5	29.8	-30C to +90C	Evoprene TPE

Other Styles Of Gland Are Available

Krallen Cable Gland



Features:

- Protection rating IP65
- Temp Rating -30C to +100C
- Sizes Range PG7 to PG29
- Material Polyamide PA6 GF30
- Bend Protection Versions also available
- Ral 7035

Conus Cable Gland



Features:

- Protection rating IP55
- Temp Rating Of -30 to +80C
- Size range of PG7 to Pg48
- Material Polyamide PA6 GF30
- Multiple sealing ring version also available
- Ral7035

UNI Dicht Cable Gland



Features:

- Protection rating IP68
- Temp Rating Of -20 +100C
- Size range PG9/11 to PG36
- Material Polyamide PA6
- Ral7035

Favorit Cable Gland



Features:

- Protection rating IP55
- Temp Rating Of -30C to +80C
- Size Range PG 9 To PG29
- Material Polyamide PA6 GF30
- Ral7035

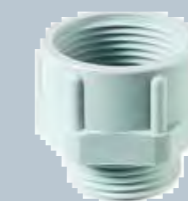
Reducers



Features:

- Material PA6 GF30
- Temp Rating '-30C to +100C
- Size Range PG9 to PG48
- RAL7035 & RAL 9005
- Two designs available

Enlargers



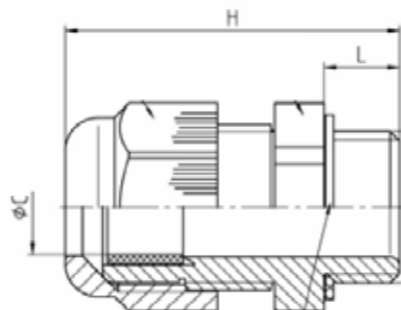
Features:

- Material PA6 GF30
- Temp Rating '-30C to +100C
- Size From PG7 To pg42
- Ral7035

PG Stainless Steel Cable Glands



- Features:**
- Stainless Steel
 - Suitable For high temperature applications
 - Easy to install with a wide sealing range

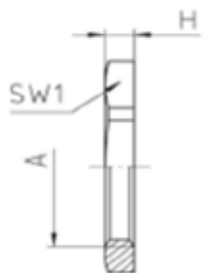


IP65 WADI EMC With Viton Sealing Insert



Part Code	Size	H(mm)	L (mm)	ØC (mm)	Temp Rating
129007	Pg 7	22	6	4-7	-18 to +200C
129009	Pg 9	23,5	6,5	5-10	-18 to +200C
129011	Pg 11	24	6	7-12	-18 to +200C
129013	Pg 13,5	27	6	7-15	-18 to +200C
129016	Pg 16	27	6	7-15	-18 to +200C
129021	Pg 21	30,5	7,5	9-20	-18 to +200C

PG Stainless Steel Locknuts



Part Code	Size	H(mm)	SW1 (mm)	ØC (mm)	Temp Rating
129207	Pg 7	3	14	N/a	-60c / +200c
129209	Pg 9	3	19	N/a	-60c / +200c
129211	Pg 11	3	22	N/a	-60c / +200c
129213	Pg 13,5	3	24	N/a	-60c / +200c
129216	Pg 16	3	27	N/a	-60c / +200c
129221	Pg 21	3,5	32	N/a	-60c / +200c
129229	Pg 29	4	41	N/a	-60c / +200c
129236	Pg 36	5	50	N/a	-60c / +200c

Steatite High Temperature Terminal Blocks



- Features:**
- Chemical Resistance
 - Non-Flammability
 - Heat resistance
 - Corrosion resistance
 - Temp Rating of -5 to +350
 - Max Voltage 450V

2 Pole Steatite Terminal Block For High Temp. Applications

Product Code	Colour	Material	H (mm)	W (mm)	L (mm)	Fixing Holes: Dia	Max Conductor Size (mm)	Max Current (A)	Poles
2-402Z-2/ST	Beige/Matt	Steatite	15	18	21	5.5	2.5	24	2
2-1602-2/ST	Beige/Matt	Steatite	21	22	24	5.5	4	32	2
2-2021-2/ST	Beige/Matt	Steatite	23	30	34	5.5	6	57	2

3 Pole Steatite Terminal Block For High Temp. Applications

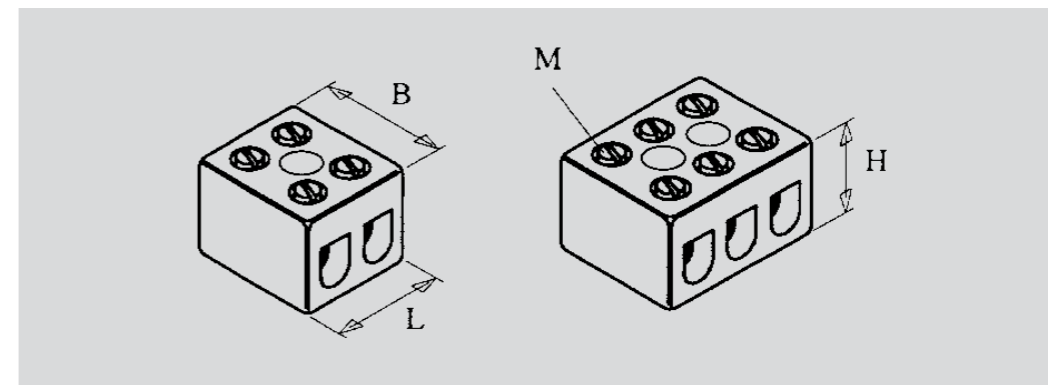
2-403Z-3/ST	Beige/Matt	Steatite	15	18	33	5.5	2.5	24	3
2-1603-3/ST	Beige/Matt	Steatite	21	22	38	5.5	4	32	3
2-2031-3/ST	Beige/Matt	Steatite	23	30	53	5.5	6	57	3



2 Pole Steatite Terminal Block For High Temp. Applications



3 Pole Steatite Terminal Block For High Temp. Applications



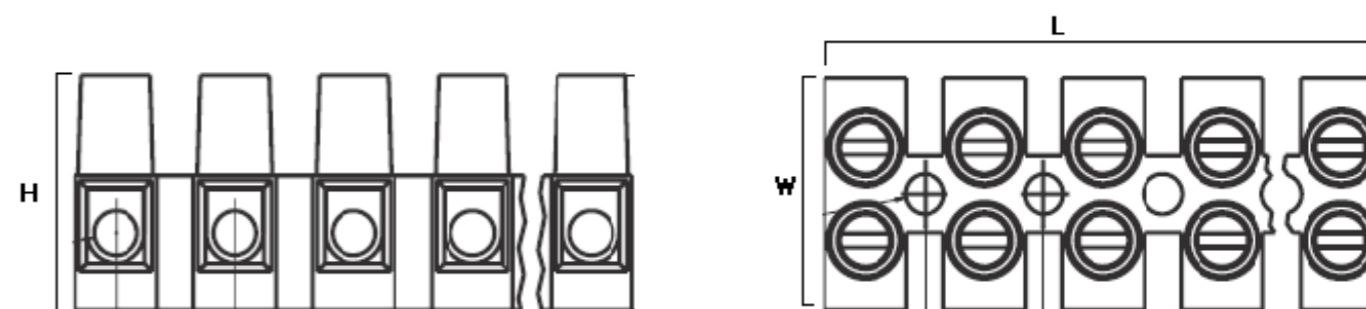
Nylon Pillar Terminal Blocks

Kwik Snap is a new range of Polypropylene terminal blocks that can be 'snapped' into useable pole sizes without tools but with the pole dividers still being capable of supporting fixing screws. Supplied in 24-72 Amp options, these products offer a superior quality with a rapid installation.



Features:

- New Kwik Snap range saves time, saves money
- Large diverse range of pillar style terminal blocks available
- Product available in nylon pa66 and no flame, depending on item
- Steel insert products available
- Raised base is standard across range



VDE Approved Kwik Snap Terminal Blocks In Polypropylene

Product Code	Colour	Material	H (mm)	W (mm)	L (mm)	Fixing Hole (mm)	Pitch (mm)	Flamability Rating	Max Conductor Size (mm)	Max Current (A)	Max Voltage (V)	Poles	Temp Rating
HYKS-02412PP	White	Polypropylene	12.2	17.8	93.5	3.2	8	94-V2	4.0	24	450	12	T85-T110°C
HYKS-03212PP	White	Polypropylene	14	20	116.5	3.2	10	94-V2	6.0	32	450	12	T85-T110°C
HYKS-05712PP	White	Polypropylene	16.3	23.4	139.3	4.0	12	94-V2	10.0	57	450	12	T85-T110°C
HYKS-07612PP	White	Polypropylene	20.9	27.7	169.5	4.0	14.5	94-V2	16.0	76	450	12	T85-T110°C



12 Pole Nylon Pillar Terminal Block

PA35	Natural	Nylon PA6.6	15.2	15	93.5	2.6	8	UL94-V2	2.5	24	450	1 to 12	-5 to +125
PA27XA1F01-12	Natural	Nylon PA6.6	17.8	20	117	3.2	10	UL94-V2	2.5	32	450	1 to 12	-5 to +125
PA44	Natural	Nylon PA6.6	20	23	139.3	3.2	12	UL94-V2	6	41	750	1 to 12	-5 to +110
PA76	Natural	Nylon PA6.6	25.5	25	174.5	4.2	15	UL94-V2	10	57	750	1 to 12	-5 to +125
PA220	Natural	Nylon PA6.6	32	30	175.2	4.5	15	UL94-V2	16	76	750	1 to 12	-5 to +110



12 Pole Nylon Pillar Terminal Block, Wire Protection

PA35WP	Natural	Nylon PA6.6	15.2	15	93.5	2.6	8	UL94-V2	1.5	17.5	450	1 to 12	-5 to +125
PA27XA1F01-12P	Natural	Nylon PA6.6	17.8	20	117	3.2	10	UL94-V2	2.5	24	450	1 to 12	-5 to +125
PA44WP	Natural	Nylon PA6.6	20	23	139.3	3.2	12	UL94-V2	4	32	750	1 to 12	-5 to +110
PA76WP	Natural	Nylon PA6.6	25.5	25	174.5	4.2	15	UL94-V2	6	41	750	1 to 12	-5 to +125



12 Pole Pillar Terminal Block, High Temp. Glass Filled Nylon

PA35FV	Red/Brown	Polyamide Glass Fibre reinforced	15.2	15	93.5	2.6	8	UL94-V0	2.5	24	450	1 to 12	-5 to +150
FV27XA1F01-12	Red/Brown	Polyamide Glass Fibre reinforced	17.8	20	117	3.2	10	UL94-V0	4	32	450	1 to 12	-5 to +150
PA44FV	Red/Brown	Polyamide glass fibre reinforced	20	23	139.3	3.2	12	UL94-V0	6	41	750	1 to 12	-5 to +150
PA76FV	Red/Brown	Polyamide Glass Fibre reinforced	25.5	25	174.5	4.2	15	UL94-V0	10	57	750	1 to 12	-5 to +150
PA220FV	Red/Brown	Polyamide Glass Fibre reinforced	32	30	175.2	4.5	15	UL94-V0	16	76	750	1 to 12	-5 to +150



12 Pole Pillar Terminal Block, High Temp. Glass Filled Nylon With Wire Protection

PA35FVWP	Red/Brown	Polyamide Glass Fibre reinforced	15.2	15	93.5	2.6	8	UL94-V0	1.5	17.5	450	1 to 12	-5 to +150
FV27XA1F01-12P	Red/Brown	Polyamide Glass Fibre reinforced	17.8	20	117	3.2	10	UL94-V0	2.5	24	450	1 to 12	-5 to +150
PA44FVWP	Red/Brown	Polyamide Glass Fibre reinforced	20	23	139.3	3.2	12	UL94-V0	4	32	750	1 to 12	-5 to +150
PA76FVWP	Red/Brown	Polyamide Glass Fibre reinforced	25.5	25	174.5	4.2	15	UL94-V0	6	41	750	1 to 12	-5 to +150



Nylon Pillar Terminal Blocks

Features:

- 12 way plug and socket terminal strip can be cut to pole lengths required
- IP 30 plg/skt connectors in 3,4 & 5 pole with latch options for lighting applications
- Modular assembly allows rapid disconnection/reconnection for testing and/or replacement units
- GST Style connectors VDE Approved to mate with Wieland and Adels equivalents



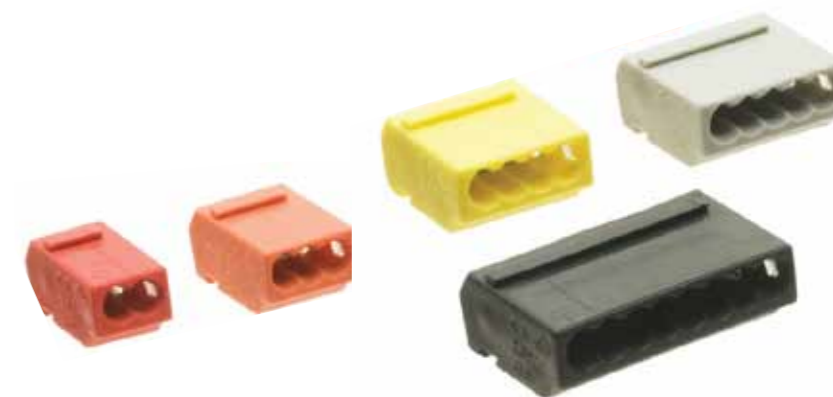
12 way plug & Skt connector strip

Product Code	Colour	Poles	Material	H (mm)	W (mm)	L (mm)	Fixing Hole (mm)	Pitch (mm)	Flamibility Rating	Max Conductor Size (mm)	Max Current (A)	Max Voltage (V)	Temp Rating	Description
HYPS-01712	Natural	12	Polyamide	14	23	115	3.0	9.6	UL94-V2	2.5	17.5	250	110 C Max	



IP30 Plug & Socket Lighting Connectors

HYGST-30PSK	Black	3	Polyamide						UL94-V2	2.5	16	250	110 C Max	Plug and Socket including Covers
HYGST-3LPSK	Black	3	Polyamide						UL94-V2	2.5	16	250	110 C Max	Plug and Socket with latch including Covers
HYGST-4LPSK	Black	4	Polyamide						UL94-V2	2.5	16	250	110 C Max	Plug and Socket with latch including Covers
HYGST-5LPSK	Black	5	Polyamide						UL94-V2	2.5	16	250	110 C Max	Plug and Socket with latch including Covers



Kwik Wire Connector

Features:

- Temp range :-20 to 100°C
- Colour coded Thermoplastic 94-V2
- 2-8 way commoning blocks - Pushwire
- Moulded Dovetail for stacking.
- Push insertion and twist release and with test slot



Product Code	Colour	Poles	H (mm)	W (mm)	L (mm)	Max Conductor Size (mm)	Max Current (A)	Max Voltage (V)
HYKW-02	Red	2	10	18	10	2.5	20	450
HYKW-03	Orange	3	10	18	12	2.5	20	450
HYKW-04	Yellow	4	10	18	17	2.5	20	450
HYKW-05	Grey	5	10	18	20	2.5	20	450
HYKW-08	Black	8	10	18	30	2.5	20	450



T: +44 (0)1933 234400 ■ E: sales@hylec-apl.com
F: +44 (0)1933 234411 ■ W: www.hylec-apl.com
6 Stanton Close, Finedon Road Industrial Estate, Wellingborough, Northants, NN8 4HN