

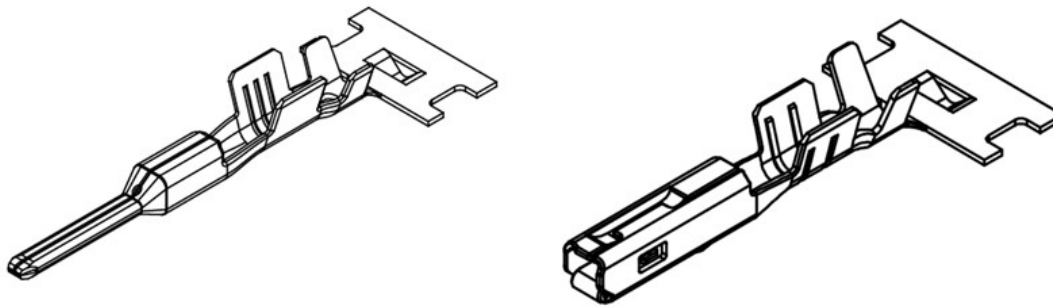


Product Change Notification

Date Issued :	October 26, 2023	PCN Number :	514468
Reason for Change :	Change Supplier		
Description of Change :	This notification is to inform you that a supplier to Molex Lincoln Nebraska is going to add an additional supplier source. There will be no changes to the product based on this additional source. Molex Lincoln Nebraska will still receive the material from our current supplier.		
Assessment of Change :	Reliability Test Report/s Dimension analysis		
Planned Implementation Date :	August 30, 2024		
Sample Availability Date:	February 28, 2024		
Internal Molex Qualification Date :	June 21, 2024		
Last date to request Samples by Customer :	February 16, 2024		
Traceability Code Markings / Date :	Product made after planned implementation date can contain the change		

Before Picture

- Material Supplier to Add Second Source



Photos are for reference only and represent some but not all affected product

After Picture

Overview

- **Additional Supplier Source for Supplier**
 - Raw Material Supplier to Molex Lincoln Nebraska is adding an addition supplier source
 - Addition supplier source will only affect product produced out of North America
 - Added to ensure ability to provide for current and future demand
 - Supplier source to Molex Lincoln will be unchanged

- There is NO impact to fit, form or function
- **Part Number Impact**
 - See attached impacted parts list

- Qualification Reports, PPAPs and samples available upon request after the date shown above

- Questions/concerns contact your Molex Account manager

RELEASED

You may address inquires regarding this PCN by clicking on the below link
mailto:pcn_coordinator@molex.com?subject=PCN_Notification:514468
or contact your Local Sales Engineer.

Note: While responding, please retain " PCN Notification : **PCN Notification: 514468** " in the e-mail Subject line for faster response.

[Molex, LLC](#)
2222 Wellington Court
Lisle, IL 60532
TEL (800) 786-6539
www.molex.com