

Ball Casters · plastic
22751.0122

Product Description

Ball casters are module for transport systems, conveyances, to working and packing facilities. For example, parts can be easily moved, turned and controlled. Thanks to the technical properties of the plastic, the component does not require maintenance or lubrication and is also resistant to abrasion. In contrast to the steel model, the plastic model offers additional benefits such as electrical insulation and anti-magnetic characteristics thanks to the properties of its material.

Material

Cap

- Plastic, white

Housing

- Plastic, white

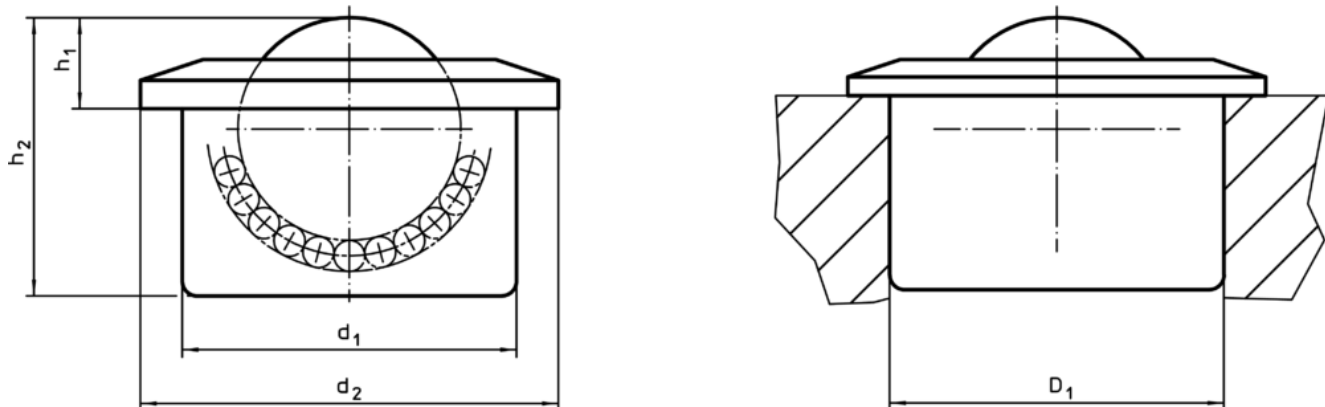
Ball

- Thermoplastic POM, white

Bearing ball

- stainless steel

Drawing



Order information

Dimensions					Location hole	Dynamic	Temperature		Weight	Art. No.
d_1	ball diameter	d_2	h_1	h_2	D_1 H7 [mm]	carrying figure C [N]	min.	max.	[g]	
[mm]							[°C]			
Bearing ball: stainless steel										
36	24	45	9.8	30	35.95	500	-40	80	30	22751.0122

Compliance

RoHS compliant

Compliant according to Directive 2011/65/EU and Directive 2015/863

Does not contain SVHC substances

No SVHC substances with more than 0.1% w/w contained - SVHC list [REACH] as of 10.06.2022

Does not contain Proposition 65 substances

No Proposition 65 substances included
<https://www.P65Warnings.ca.gov/>

Free from Conflict Minerals

This product does not contain any substances designated as "conflict minerals" such as tantalum, tin, gold or tungsten from the Democratic Republic of Congo or adjacent countries.