

## Dot laser, red, 650 nm, 1 mW

LFD650-1-3(6x17)-ADJ  
Order Number: 70115420

Main Parameters (*)	min	typ	max	Unit
Wavelength		650		nm
Optical Diode Power		1		mW
Operating Voltage	2.7	3	3.3	V DC
Operating Current	5	10	15	mA
Operating Temperature	-20		40	°C
Storage Temperature	-40		80	°C

### Main Data

Warranty 1 years

### Technical Parameters

Lifetime > 3,000 h  
RoHS yes

### Optical Parameters

Beam Shape Dot  
Laser Class 2  
Divergence H - 1.0 mrad  
Size of Laserdot adjustable  
Operating Distance 10 m  
Optics acryl lense  
Laser technology diode  
Focus adjustable

### Electrical Parameters

Potential of Housing VDD(+)

### Mechanical Parameters

Size Ø6x17 mm  
Material Brass  
Cable length 70 mm  
Output Aperture 3 mm  
Weight 2 g

(\*) Over the complete operating temperature range

## Features

- Operating Voltage 3 V DC
- Laser Class 2
- Low power consumption
- Compact size
- Low cost

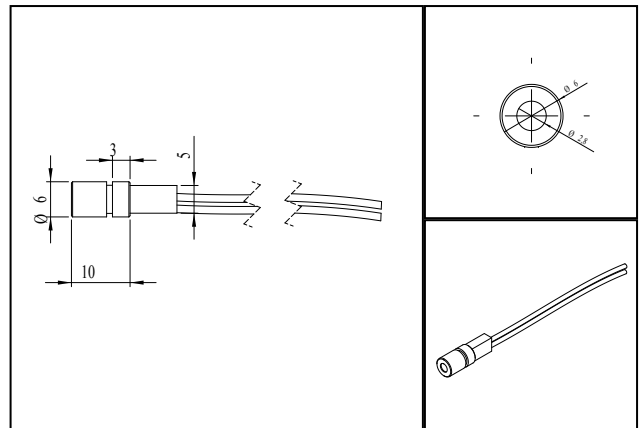
## Picture



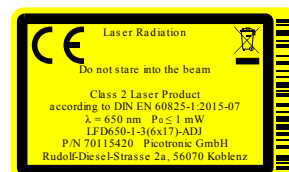
## Cable color

Ground		white	GND
positive		red	2.7 - 3.3, typ 3 V DC

## Drawing



## Safety Label



**Valid Revision**

---

3 | 16-SEP-2021