

## Dot laser, red, 650 nm, 0.3 mW

LASERTIGER-ORIGINAL  
Order Number: 70133257

Main Parameters (*)	min	typ	max	Unit
Wavelength		650		nm
Optical Diode Power		0.3		mW
Operating Voltage	3	3	4.5	V DC
Operating Current	10	15	25	mA
Operating Temperature	-20		40	°C
Storage Temperature	-40		80	°C

### Main Data

Warranty	1 years
----------	---------

### Technical Parameters

Lifetime	> 3,000 h
RoHS	yes

### Optical Parameters

Beam Shape	Dot
Laser Class	1
Divergence	H - 1.0 mrad
Beam Diameter	3 mm
Size of Laserdot	<4..6mm@5m
Operating Distance	5 m
Optics	acryl lense
Laser technology	Single Mode Diode
Focus	fixed (5.0m)

### Electrical Parameters

Potential of Housing	VDD(+)
----------------------	--------

### Mechanical Parameters

Size	Ø15x68 mm
Material	aluminium
Output Aperture	3 mm
Housing Color	black
Weight	27 g

(\*) Over the complete operating temperature range

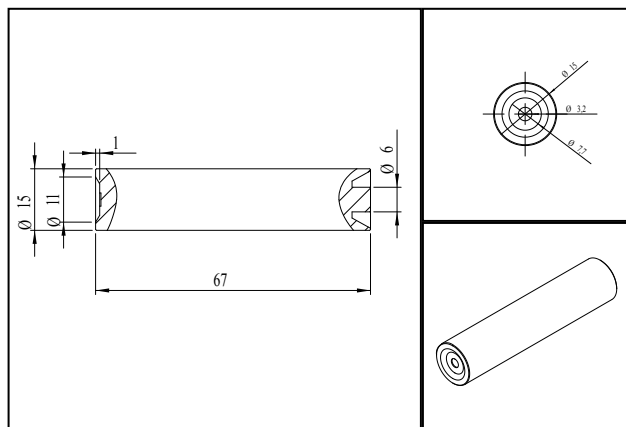
## Features

- Laser class 1
- Eye safe for cats
- Red laser 650 nm
- Low laser power
- 2x battery pack LR44

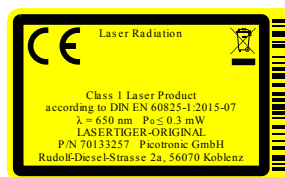
## Picture



## Drawing



## Safety Label



## Valid Revision

| 01-JUL-2020