

## Line laser, red, 650 nm, 90 °, 5 mW

LI650-5-5(8x26)90DEG-F250  
Order Number: 70150254

Main Parameters (*)	min	typ	max	Unit
Wavelength		650		nm
Optical Output Power		5		mW
Operating Voltage	4.5	5	5.5	V DC
Operating Current	15	34	45	mA
Operating Temperature	-20		50	°C
Storage Temperature	-40		80	°C

### Main Data

Warranty 1 years

### Technical Parameters

Lifetime > 10,000 h  
RoHS yes

### Optical Parameters

Beam Shape	Line
Laser Class	1
Divergence	1 - 1.5 mrad
Fan Angle	90 °
Line Thickness	<0.5mm@0.25m
Operating Distance	0.25 m
Optics	glass lens AR coated
Laser technology	Single Mode Diode
Focus	fixed (250mm)

### Electrical Parameters

Potential of Housing isolated  
Power Supply LFNT-5

### Mechanical Parameters

Size	Ø8x26 mm
Material	aluminium
Cable length	100 mm
Wire type	26AWG, 0,14mm <sup>2</sup>
Output Aperture	3 mm
Housing Color	black
Weight	4 g
Stripping of wire	5 mm

(\*) Over the complete operating temperature range

## Features

- Laser Class 1
- Low power consumption
- For medical devices
- Uniform line thickness
- Image processing

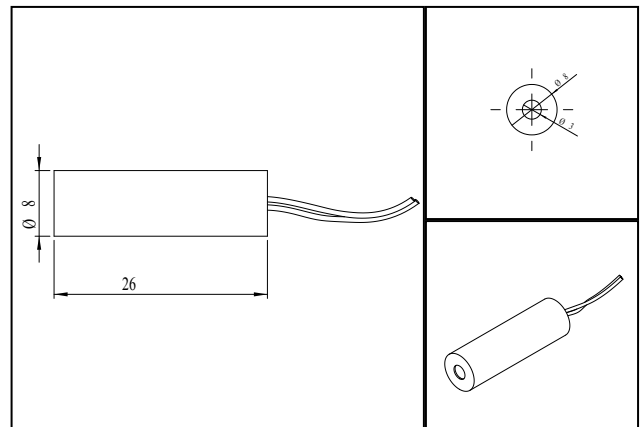
## Picture



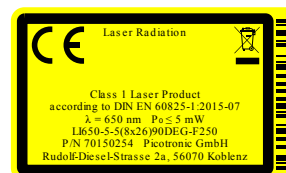
## Cable color

Ground		green	GND
positive		red	4.5 - 5.5, typ 5 V DC

## Drawing



## Safety Label



## Valid Revision

| 20-NOV-2020