

## Product information

# 92 22 07

## Universal Tweezers



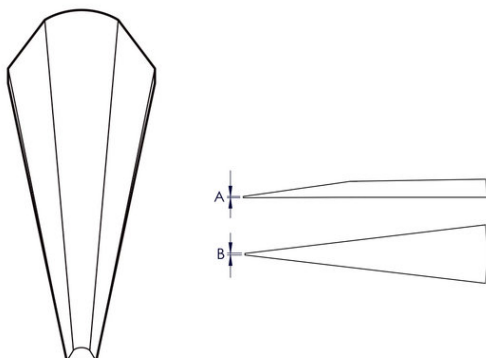
- Universal Tweezers are suitable for demanding standard applications and precision tasks
- Wide range of designs: straight, angled, gripping surfaces and handles smooth or serrated, with needle points, narrow or blunt tips, as well as different lengths
- For the electronics industry, watchmakers and jewellers
- High quality stainless steel: extremely tough and very good corrosion resistance against a variety of atmospheric environments and many corrosive materials
- Stainless steel

### General

|                   |                          |
|-------------------|--------------------------|
| Article No.       | 92 22 07                 |
| Reference number  | 3.SA.B                   |
| EAN               | 4003773054689            |
| Material          | stainless steel          |
| Gripping surfaces | smooth gripping surfaces |
| Weight            | 15 g                     |
| Dimensions        | 125 x 11 x 10 mm         |
| REACH compliant   | does not contain SVHC    |
| RoHS compliant    | not applicable           |

### Technical details

|                      |                        |
|----------------------|------------------------|
| Surface              | matt finish            |
| Finish               | straight               |
| Tips width (A)       | 0.2 mm                 |
| Tips width (B)       | 0.25 mm                |
| Tweezers tip version | needle-point           |
| Corrosion-resistant  | yes                    |
| Acid resistance      | very good              |
| ESD-tested           | no                     |
| VDE tested           | no                     |
| Sectors              | Industry electronics   |
| Magnetic             | non-magnetisable (80%) |



technical change and errors excepted