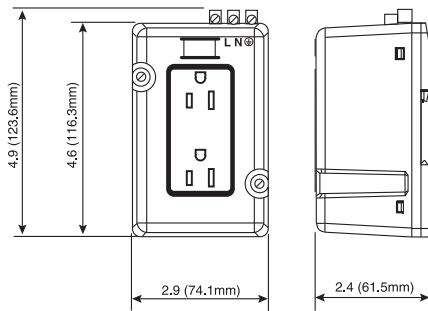


DIN-Rail Receptacles

Dimensional Drawing



15 Amp Duplex



15 Amp GFCI



Technical data

Voltage	125 VAC	125 VAC
Current	15A	15A
Operating Frequency	50 - 60 Hz	50 - 60 Hz
Dielectric Voltage	Withstands 2000V per UL498	Withstands 1500V per UL498
Short-Circuit Current Rating (SCCR)	10 kA	2 kA
Current Interrupting	N/A	10 kA
Trip Level	N/A	5±1 mA
Termination Wire Size	#20 - #10 AWG solid or stranded	#20 - #10 AWG solid or stranded
Terminal Torque	7 lb.-in. (.79 Nm)	7 lb.-in. (.79 Nm)
Temperature:		
Operating	-35°C to 60°C	-35°C to 60°C
Storage	-25°C to 80°C	-25°C to 80°C
Material Listing		
Enclosure Cover, Flammibility	PBT/polycarbonate blend, UL94 rating V0 @ .63mm	PBT/polycarbonate blend, UL94 rating V0 @ .63mm
Enclosure Base, Flammibility	Polyamide 6/6 30% GF, UL94 rating V0 @ .63mm	Polyamide 6/6 30% GF, UL94 rating V0 @ .63mm
Spring	Stainless Steel	Stainless Steel

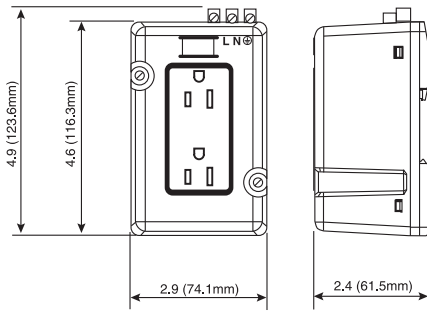
Ordering data

Type	Part No.	Type	Part No.
DRAC DP 15	6720005421	DRAC GF 15	6720005422

Approvals/Certifications

Description	Description
TUL 508A (file # E223801)	TUL 508A (file # E223801)
cULus	cULus
UL498	UL 943
NEMA WD-6	NEMA WD-6
NEMA 5-15R	NEMA 5-15R

Dimensional Drawing



20 Amp Duplex



20 Amp GFCI



Technical data

	20 Amp Duplex	20 Amp GFCI
Voltage	125 VAC	125 VAC
Current	20A	20A
Operating Frequency	50 - 60 Hz	50 - 60 Hz
Dielectric Voltage	Withstands 2000V per UL498	Withstands 1500V per UL498
Short-Circuit Current Rating (SCCR)	10 kA	2 kA
Current Interrupting	N/A	10 kA
Trip Level	N/A	5±1 mA
Termination Wire Size	#20 - #10 AWG solid or stranded	#20 - #10 AWG solid or stranded
Terminal Torque	7 lb.-in. (.79 Nm)	7 lb.-in. (.79 Nm)
Temperature:		
Operating	-35°C to 60°C	-35°C to 60°C
Storage	-25°C to 80°C	-25°C to 80°C
Material Listing		
Enclosure Cover, Flammibility	PBT/polycarbonate blend, UL94 rating V0 @ .63mm	PBT/polycarbonate blend, UL94 rating V0 @ .63mm
Enclosure Base, Flammibility	Polyamide 6/6 30% GF, UL94 rating V0 @ .63mm	Polyamide 6/6 30% GF, UL94 rating V0 @ .63mm
Spring	Stainless Steel	Stainless Steel

Ordering data

Type	Part No.	Type	Part No.
DRAC DP 20	6720005420	DRAC GF 20	6720005423

Approvals/Certifications

Description	Description
TUL 508A (file # E223801)	TUL 508A (file # E223801)
cULus	cULus
UL498	UL 943
NEMA WD-6	NEMA WD-6
NEMA 5-20R	NEMA 5-20R