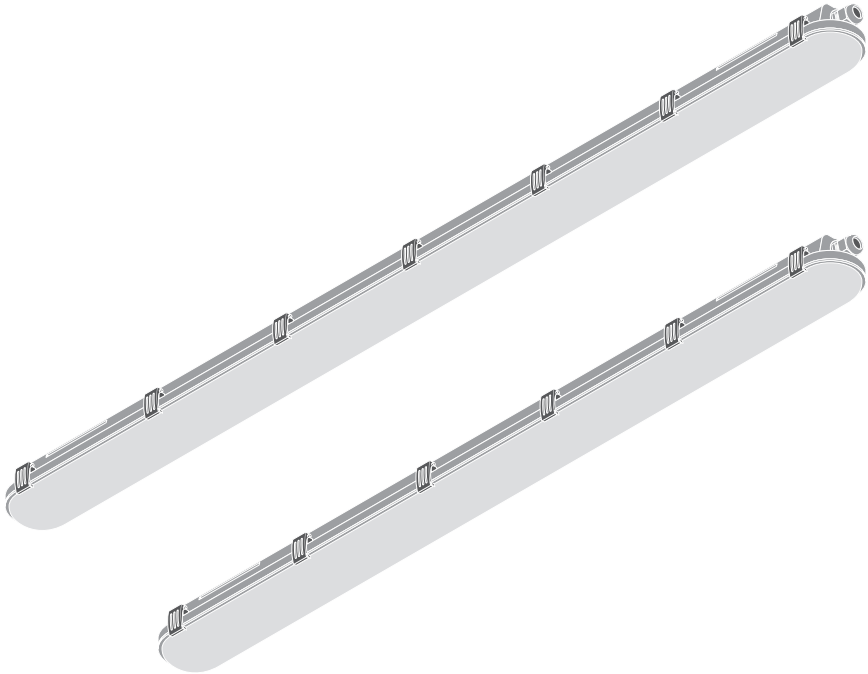


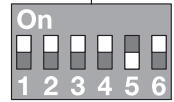
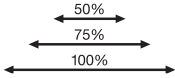
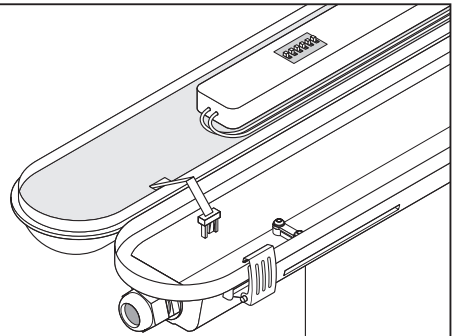
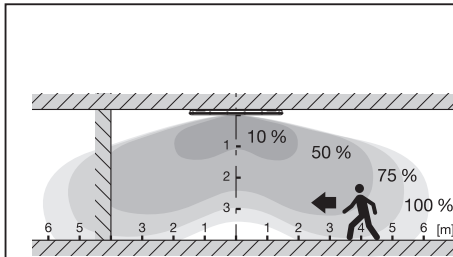
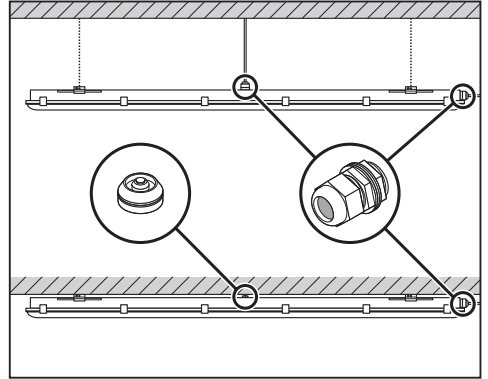
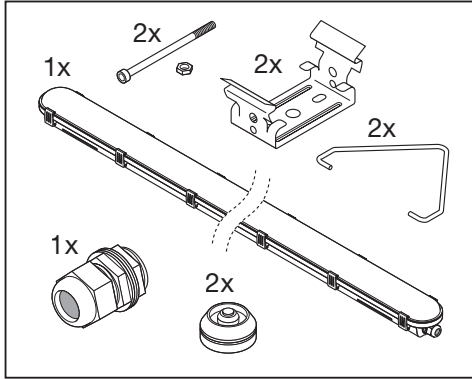
DAMPPROOF SENSOR IP65



	EAN	l x w x h [mm]	W	V _{AC}	Hz	lm	lm/W	K
DP S 1200 18W 840 IP65 GY	4058075836068	1200 x 82 x 68	18	220-240V	50/60Hz	2400	135	4000
DP S 1200 32W 840 IP65 GY	4058075541962	1200 x 82 x 68	32	220-240V	50/60Hz	4400	138	4000
DP S 1500 26W 840 IP65 GY	4058075836082	1500 x 82 x 68	26	220-240V	50/60Hz	3500	135	4000
DP S 1500 46W 840 IP65 GY	4058075541986	1500 x 82 x 68	46	220-240V	50/60Hz	6400	139	4000
DP S 1500 58W 840 IP65 GY	4058075542006	1500 x 82 x 68	58	220-240V	50/60Hz	8000	138	4000

	EAN	IP	IK	∠	R _a	° (°C)	PF	👤
DP S 1200 18W 840 IP65 GY	4058075836068	65	08	110	> 80	-20...+40	> 0.9	1.4 kg
DP S 1200 32W 840 IP65 GY	4058075541962	65	08	110	> 80	-20...+40	> 0.9	1.6 kg
DP S 1500 26W 840 IP65 GY	4058075836082	65	08	110	> 80	-20...+40	> 0.9	1.7 kg
DP S 1500 46W 840 IP65 GY	4058075541986	65	08	110	> 80	-20...+40	> 0.9	1.9 kg
DP S 1500 58W 840 IP65 GY	4058075542006	65	08	110	> 80	-20...+40	> 0.9	1.9 kg

DAMPProof SENSOR IP65



Detection Area

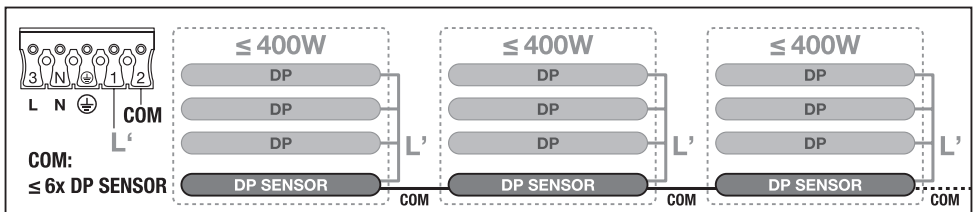
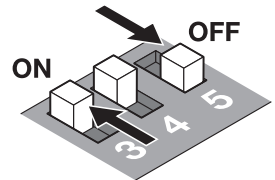
Hold Time

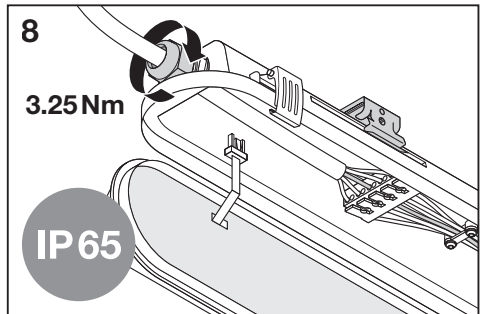
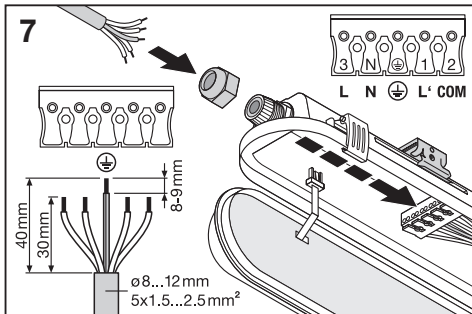
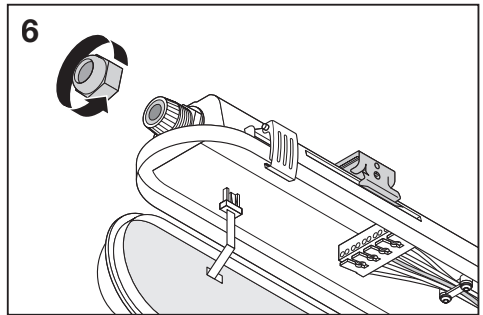
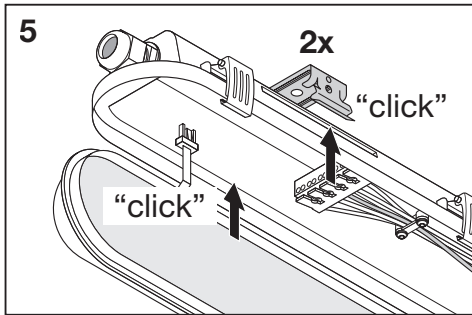
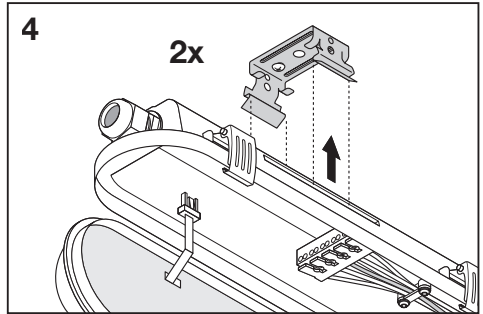
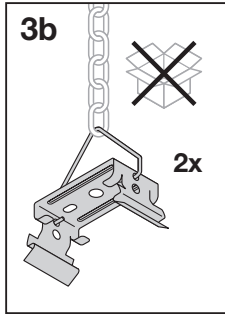
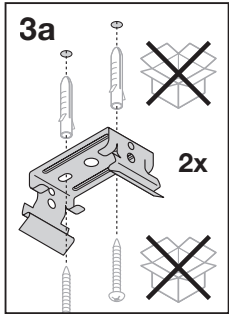
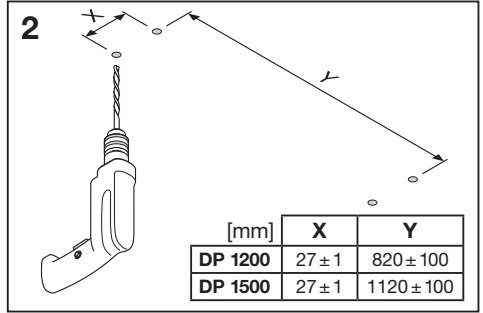
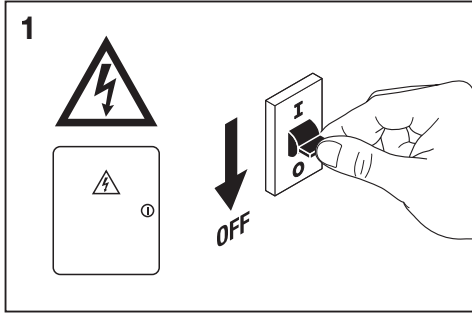
Daylight threshold

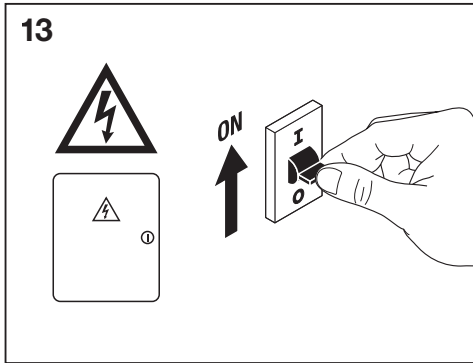
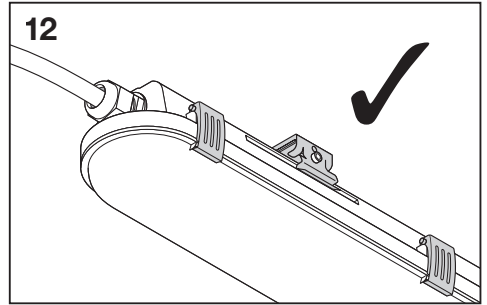
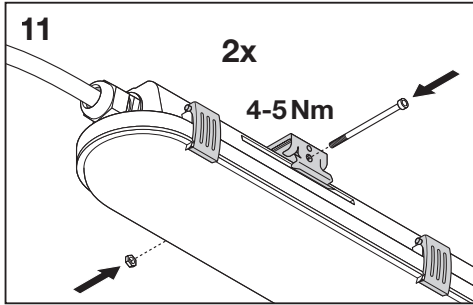
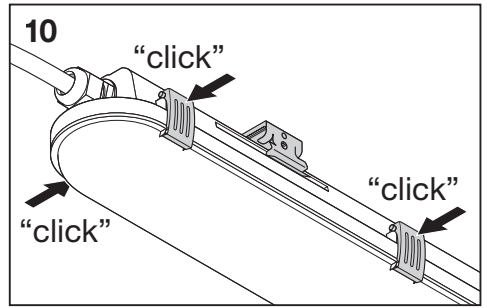
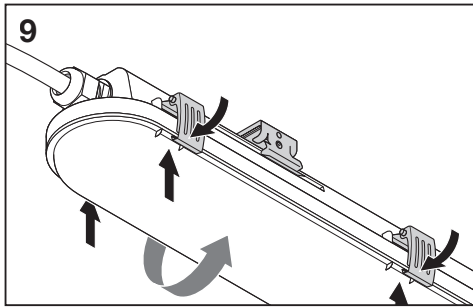
1	2	
ON	ON	100 %
-	ON	75 %
ON	-	50 %
-	-	10 %

3	4	
ON	ON	5 s
-	ON	90 s
ON	-	5 min
-	-	15 min

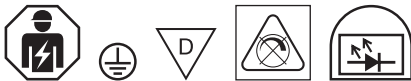
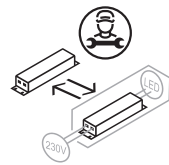
5	6	
ON	ON	Disable
-	ON	50 lux
ON	-	10 lux
-	-	2 lux







nx	B16	C10	C16
DP S 1200 18W 840	n=58	n=46	n=73
DP S 1200 32W 840	n=27	n=24	n=39
DP S 1500 26W 840	n=56	n=44	n=71
DP S 1500 46W 840	n=26	n=23	n=37
DP S 1500 58W 840	n=26	n=23	n=38



LEDVANCE GmbH
Steinerne Furt 62
86167 Augsburg, Germany
www.ledvance.com

C10449057
G11181561
21.11.23

© LEDVANCE Ltd, Aquila House
Delta Crescent, Westbrook, Warrington
WA5 7NR, United Kingdom