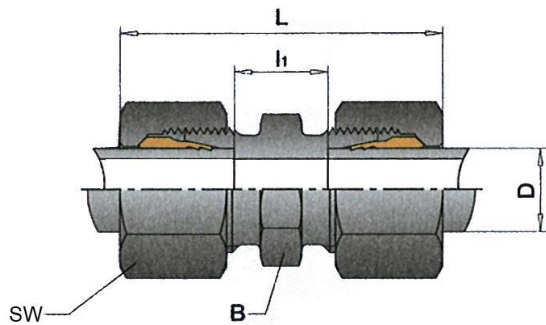


ES 35

Gerade Einschraubverschraubungen, Gewinde nach ISO 7-1

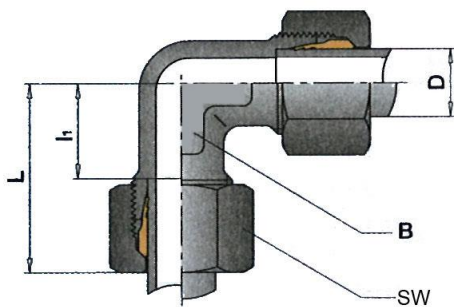
Artikel Nr.	Typen Nr.	PN	Ø D mm	Gewinde	i mm	SW mm	B mm	L mm	l ₁ mm
112371	ES 21	100	4	R 1/8	8,0	10	10,0	25,5	16,0
112372	ES 23	100	6	R 1/8	8,0	12	11,0	26,0	14,5
112373	ES 24	100	8	R 1/8	8,0	14	12,0	28,0	16,5
112374	ES 25	315	6	R 1/8	8,0	14	12,0	30,5	16,0
112375	ES 26	315	8	R 1/8	8,0	17	14,0	34,2	16,0
112376	ES 28	315	6	R 1/4	12,0	14	14,0	34,5	20,0
112377	ES 29	315	8	R 1/4	12,0	17	14,0	35,0	20,0
112378	ES 30	315	10	R 1/4	12,0	19	17,0	36,0	21,0
112379	ES 31	315	12	R 1/4	12,0	22	19,0	40,6	22,0
112380	ES 33	315	6	R 3/8	12,0	14	17,0	38,5	21,0
112381	ES 34	315	8	R 3/8	12,0	17	17,0	39,2	21,0
112382	ES 35	315	10	R 3/8	12,0	19	17,0	36,0	21,0
112383	ES 36	315	12	R 3/8	12,0	22	19,0	37,0	22,0
112384	ES 37	315	15	R 3/8	12,0	27	24,0	42,3	23,0
112385	ES 38	315	8	R 1/2	14,0	17	22,0	42,2	24,0
112386	ES 39	315	10	R 1/2	14,0	19	22,0	42,8	24,0
112387	ES 40	315	12	R 1/2	14,0	22	22,0	39,0	24,0
112388	ES 41	315	15	R 1/2	14,0	27	24,0	40,0	25,0
112389	ES 42	315	18	R 1/2	14,0	32	27,0	42,0	25,5
112390	ES 43	315	18	R 3/4	16,0	32	32,0	49,2	28,5
112391	ES 44	160	22	R 3/4	16,0	36	32,0	46,0	29,5



ES 55

Gerade Verschraubungen

Artikel Nr.	Typen Nr.	PN	Ø D mm	SW mm	B mm	L mm	l ₁ mm
112392	ES 50	100	4	10	9,0	31,0	12,0
112393	ES 52	100	6	12	11,0	32,0	9,0
112394	ES 53	100	8	14	12,0	35,0	12,0
112395	ES 54	315	6	14	12,0	39,0	10,
112396	ES 55	315	8	17	14,0	40,0	11,0
112397	ES 56	315	10	19	17,0	42,0	13,0
112398	ES 57	315	12	22	19,0	43,0	14,0
112399	ES 58	315	15	27	24,0	46,0	16,0
112400	ES 59	315	18	32	27,0	48,0	16,0
112401	ES 60	160	22	36	32,0	52,0	20,0



ES 75

Winkel-Verschraubungen

Artikel Nr.	Typen Nr.	PN	Ø D mm	SW mm	B mm	L mm	l ₁ mm
112402	ES 70	100	4	10	9,0	21,0	11,0
112403	ES 72	100	6	12	9,0	21,0	9,5
112404	ES 73	100	8	14	12,0	23,0	11,5
112405	ES 74	315	6	14	12,0	27,0	12,0
112406	ES 75	315	8	17	12,0	29,0	14,0
112407	ES 76	315	10	19	14,0	30,0	15,0
112408	ES 77	315	12	22	17,0	32,0	17,0
112409	ES 78	315	15	27	19,0	36,0	21,0
112410	ES 79	315	18	32	24,0	40,0	23,5