

**CF FUSE RATED 58V**



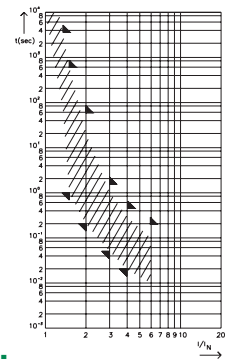
**Specifications**

Insulating Body: Out of ceramic  
 Cover: Out of thermoplast (UL 94-V0, heat resistant)  
 Visible melting-element  
 Interrupting Rating: 2,000A @58 VDC  
 Complies with: ISO 8820-6  
 DIN 72581-5  
 UL 248 Special Purpose Fuses  
 cULus Recognized: File No. E211637

**Ordering Information**

| Part Number   | Package Size |
|---------------|--------------|
| 155.0892.xxx1 | 100          |

**Pre-Arcing Time-Limits**



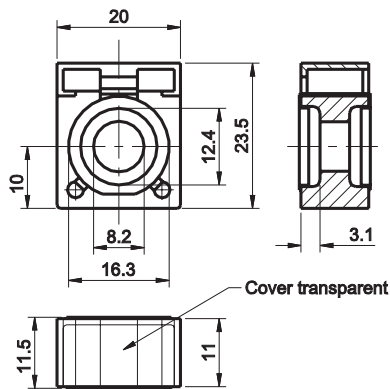
FI = 1.25 (max. operating current:  
 0.8 x I<sub>rat</sub> at 23°C)

**Description**

Main Fuse for mounting with battery clamp on the battery pole.  
 Voltage rating 58 VDC, Current rating 50A - 300A. With transparent cover for visual inspection of melting element.

**Dimensions**

Dimensions in mm



Cover transparent

**Time-Current Characteristics**

| % of Rating | Opening Time Min / Max (s) |
|-------------|----------------------------|
| 100         | 360,000 s / -              |
| 135         | - / 3,600 s                |
| 150         | 1 s / 600 s                |
| 200         | 0.200 s / 60 s             |
| 300         | 0.050 s / 1.5 s            |
| 400         | 0.020 s / 0.50 s           |
| 600         | - / 0.20 s                 |

**Ratings**

| Part Number   | Current Rating | Typ. Voltage Drop | Cold Resistance | I²t         |
|---------------|----------------|-------------------|-----------------|-------------|
| 155.0892.5501 | 50 A           | 100 mV            | 1.20 mΩ         | 1,900 A²s   |
| 155.0892.5751 | 75 A           | 90 mV             | 0.60 mΩ         | 12,000 A²s  |
| 155.0892.6101 | 100 A          | 80 mV             | 0.60 mΩ         | 14,000 A²s  |
| 155.0892.6121 | 125 A          | 75 mV             | 0.45 mΩ         | 51,000 A²s  |
| 155.0892.6151 | 150 A          | 70 mV             | 0.35 mΩ         | 63,800 A²s  |
| 155.0892.6171 | 175 A          | 70 mV             | 0.25 mΩ         | 120,000 A²s |
| 155.0892.6201 | 200 A          | 65 mV             | 0.25 mΩ         | 172,800 A²s |
| 155.0892.6251 | 250 A          | 70 mV             | 0.20 mΩ         | 330,000 A²s |
| 155.0892.6301 | 300 A          | 70 mV             | 0.15 mΩ         | 372,000 A²s |

Insert CF8-Fuse links only in conjunction with the insulating nuts, see Section "Fuse Holders."  
 Corresponding battery clamp see Section "Fuse Holders."