



DEUTSCH | DEUTSCH 38999 Series III

TE Internal #: YDTS26W15-19SNC001

Standard Circular Connectors, Cable-to-Panel, 19 Position, Sealable, Wire & Cable, Signal, Panel Mount, Cadmium, O.D., DEUTSCH 38999 Series III

[View on TE.com >](#)

Connectors > Circular Connectors > Standard Circular Connectors > D38999: Straight Plug, 15-19 Insert



Connector System: **Cable-to-Panel**

Number of Positions: **19**

Sealable: **Yes**

Connector & Contact Terminates To: **Wire & Cable**

Contact Current Rating (Max): **7.5 A**

[All D38999: Straight Plug, 15-19 Insert \(71\)](#)

Features

Product Type Features

Product Type	Connector
Connector System	Cable-to-Panel
Sealable	Yes
Connector & Contact Terminates To	Wire & Cable
Circular Connector Type	Plug
Shell Type	Straight Plug

Configuration Features

Number of Positions	19
Number of Power Positions	0
Number of Signal Positions	19
Contacts Preloaded	No

Body Features

Shell Plating Material	Cadmium, O.D.
Shell Base Material	Aluminum 6061-T6
Circular Connector Insulation Material Type	Hard Dielectric/Silicone
Hermetically Sealed	No



Contact Features

Contact Current Rating (Max)	7.5 A
Reverse Gender	No
Contact Layout Arrangement	15 – 19
Circular Connector Contact Type	Socket

Mechanical Attachment

Connector Mounting Type	Panel Mount
Polarization Code	N
Mating Alignment Type	Keyed
Mating Retention	With

Housing Features

Circular Connector Shell Size	15
Alignment Keyed	Clocking

Dimensions

Wire Size	.2 – .52 mm ²
-----------	--------------------------

Usage Conditions

Operating Temperature Range	-65 – 200 °C[-85 – 392 °F]
-----------------------------	----------------------------

Operation/Application

Circuit Application	Signal
Shielded	Yes

Product Compliance

[For compliance documentation, visit the product page on TE.com>](#)

EU RoHS Directive 2011/65/EU	Not Compliant
EU ELV Directive 2000/53/EC	Not Compliant
China RoHS 2 Directive MIIT Order No 32, 2016	Restricted Materials Above Threshold

EU REACH Regulation (EC) No. 1907/2006

Current ECHA Candidate List: JUNE 2022 (224)
 Candidate List Declared Against: JAN 2022 (223)
 SVHC > Threshold:
 Cd (1.52% in Plating)
 Decamethylcyclopentasiloxane (D5) (5% in Insert subassembly)

Article Safe Usage Statements:

Use personal protective equipment as required. Do not eat, drink or smoke when using this product. Wash thoroughly after handling. Recycle if possible and dispose



of the article by following all applicable governmental regulations relevant to your geographic location.

Halogen Content

Not Yet Reviewed for halogen content

Solder Process Capability

Not reviewed for solder process capability

Product Compliance Disclaimer

This information is provided based on reasonable inquiry of our suppliers and represents our current actual knowledge based on the information they provided. This information is subject to change. The part numbers that TE has identified as EU RoHS compliant have a maximum concentration of 0.1% by weight in homogenous materials for lead, hexavalent chromium, mercury, PBB, PBDE, DBP, BBP, DEHP, DIBP, and 0.01% for cadmium, or qualify for an exemption to these limits as defined in the Annexes of Directive 2011/65/EU (RoHS2). Finished electrical and electronic equipment products will be CE marked as required by Directive 2011/65/EU. Components may not be CE marked. Additionally, the part numbers that TE has identified as EU ELV compliant have a maximum concentration of 0.1% by weight in homogenous materials for lead, hexavalent chromium, and mercury, and 0.01% for cadmium, or qualify for an exemption to these limits as defined in the Annexes of Directive 2000/53/EC (ELV). Regarding the REACH Regulation, the information TE provides on SVHC in articles for this part number is based on the latest European Chemicals Agency (ECHA) 'Guidance on requirements for substances in articles' posted at this URL: <https://echa.europa.eu/guidance-documents/guidance-on-reach>

Also in the Series | **DEUTSCH 38999 Series III**



Standard Circular Connectors(37354)

Customers Also Bought



TE Part #794188-1
04P MINI UMNL2 PLUG HSG UL94V0



TE Part #YDTS26W09-35SNV001
PLUG ASSY



TE Part #HDP26-24-21PE-L017
DEUTSCH HDP20 HOUSINGS



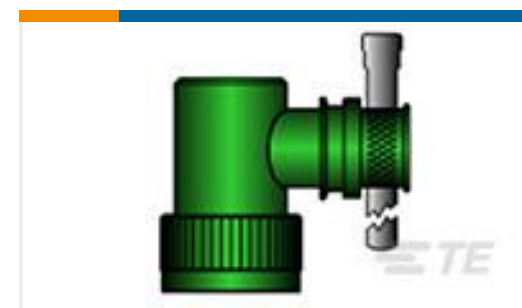
TE Part #YDTS24W13-35SNV001
RECP ASSY



TE Part #CW2823-000
R85049/128-3



TE Part #5-520183-2
ULTRA-FAST 250 ASY REC 22-18 AWG
TPBR



TE Part #CW3823-000
R85049/90-13W03



Documents

Product Drawings

[PLUG ASSY](#)

English

Datasheets & Catalog Pages

[MIL-DTL-38999 Series III](#)

English

[DEUTSCH DTS Series Connectors for 38999 QRG](#)

English