

# RJ45 connector - VS-08-RJ45-5-Q/IP67 - 1656990

Please be informed that the data shown in this PDF Document is generated from our Online Catalog. Please find the complete data in the user's documentation. Our General Terms of Use for Downloads are valid (<http://download.phoenixcontact.com>)



RJ45 connector, IP20, CAT5e, 8-pos., with QUICKON fast connection technology, for 26 ... 24 AWG 1-wire and 7-wire conductors, for cable diameter of 5.0 mm ... 8.0 mm, labeling: TIA 568 B, color: gray

## Ethernet

### Key commercial data

package_quantity	1
GTIN	4046356081399

### Technical data

#### Mechanical characteristics

Number of positions	8
Connection profile	RJ45 8(8)
Shielded	Yes
Insertion/withdrawal cycles	≥ 1000
Connection method	IDC fast connection
Conductor cross section	0.13 mm <sup>2</sup> ... 0.32 mm <sup>2</sup> (solid)
Conductor cross section	0.14 mm <sup>2</sup> ... 0.36 mm <sup>2</sup> (stranded)
Connection cross section AWG	26 ... 24 (solid)
Connection cross section AWG	26 ... 24 (stranded)
External cable diameter	5 mm ... 8 mm
Cable exit	Straight
Color	Military gray RAL 7042

#### Ambient conditions

Ambient temperature (operation)	-20 °C ... 70 °C
Degree of protection	IP67

#### Material data

Inflammability class according to UL 94	V0
Housing material	PA
Contact carrier material	PC
Contact material	Copper alloy
Contact surface material	Gold over nickel
Material, O-ring	FPM
Cable seal material	NBR

# RJ45 connector - VS-08-RJ45-5-Q/IP67 - 1656990

## Technical data

### Material data

Material housing intermediate seal	NBR
------------------------------------	-----

### Electrical characteristics

Number of positions	8
Transmission characteristics (category)	CAT5 (IEC 11801:2002), CAT5e (TIA 568B:2001)
Rated current	1.75 A
Surge voltage category	I
Pollution degree	2

## classifications

### eCl@ss

eCl@ss 4.0	27140816
eCl@ss 4.1	27260701
eCl@ss 5.0	27260701
eCl@ss 5.1	27260701
eCl@ss 6.0	27260705
eCl@ss 7.0	27440309
eCl@ss 8.0	27440309

### ETIM

ETIM 2.0	EC000764
ETIM 3.0	EC001121
ETIM 4.0	EC001121
ETIM 5.0	EC002641

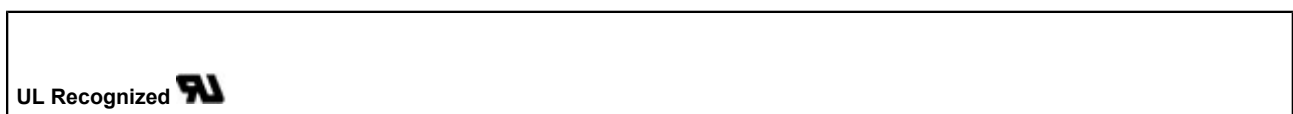
### UNSPSC

UNSPSC 6.01	31261501
UNSPSC 7.0901	31261501
UNSPSC 11	31261501
UNSPSC 12.01	31261501
UNSPSC 13.2	31261501

## approvals

UL Recognized / cUL Recognized / cULus Recognized /

### Approval details



# RJ45 connector - VS-08-RJ45-5-Q/IP67 - 1656990

## approvals

Nominal voltage UN	50 V
Nominal current IN	1.75 A
mm <sup>2</sup> /AWG/kcmil	22

<b>cUL Recognized</b>	
Nominal voltage UN	50 V
Nominal current IN	1.75 A
mm <sup>2</sup> /AWG/kcmil	22

<b>cULus Recognized</b>	
-------------------------	--

## accessories

VS-ZBFM-8-SET - 0814775

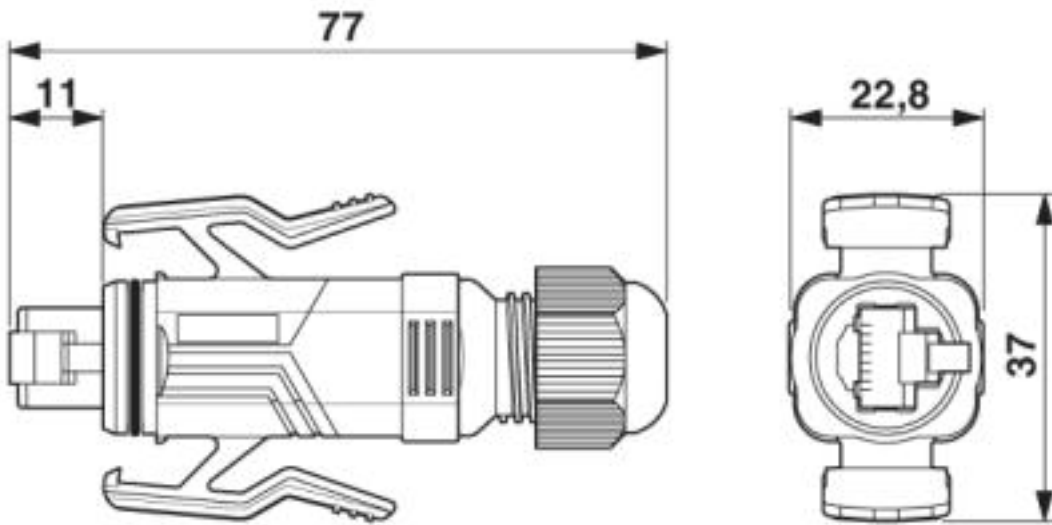


---

## Drawings

## RJ45 connector - VS-08-RJ45-5-Q/IP67 - 1656990

Dimensioned drawing



RJ45 connectors, IP67, QUICKON fast connection technology

© Phoenix Contact 2013 - all rights reserved  
<http://www.phoenixcontact.com>