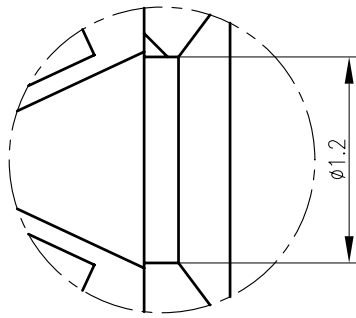
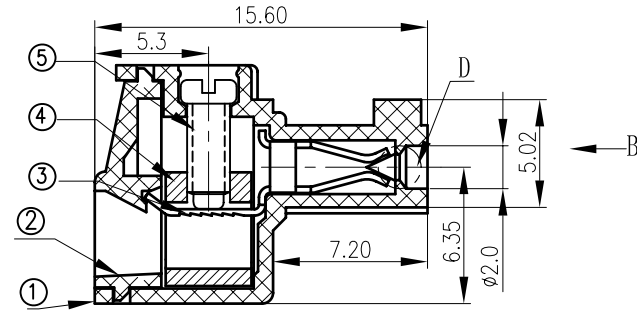
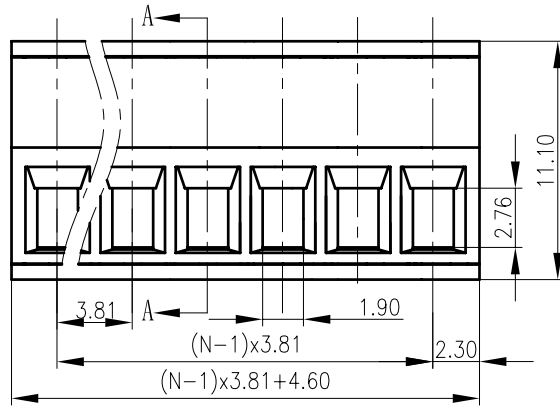


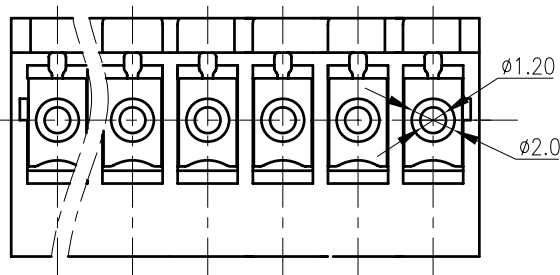
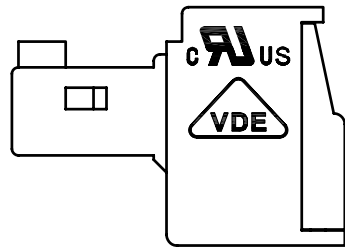
REVISION RECORD				
REV	ECN	DESCRIPTION	DRFT	DATE



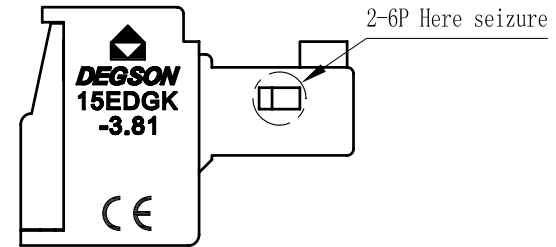
D Local amplification (8:1)



SECTION A-A



VIEW B



NOTES:

- PITCH: 3.81MM POLES: 2-24P
- RATED VOLTAGE/CURRENT: UL 300V/8A  
VDE 250V/7A
- INSULATION RESISTANCE: 5000MΩ/DC1000V
- WITHSTANDING VOLTAGE: AC2000V/1MIN
- WIRE RANGE: 28-16AWG, 0.5-1.5MM<sup>2</sup>
- TEMP. RANGE: -40° C~+105° C
- TORQUE: M2, 2.04KGF.CM
- UNDIMENSIONED TOLERANCES:

Pitch range in mm		Nominal dimension range in mm					
to 6	over 6 to 10	over 10 to 24	over 30 to 60	over 60 to 100	over 100 to 150		
±0.10	±0.15	±0.25	±0.2	±0.3	±0.5	±1.0	
						0.05/0.10	

ITEM	NAME OF PART	NO. OF PART	QTY	MATERIAL	NOTES
5	15EDG-Screws	S000001360(H)	XX	Steel	Cr <sup>3+</sup> Zn
4	15EDG-Brass cage	X000000010(H)	XX	Brass	Ni plated
3	15EDG-Clamp	1001B00010(H)	XX	Phospor Bronze	SnCe
2	15EDGK-3.81-Cover	1010C0YXXA(H)	1	PA66	UL94V-0

1	15EDGK-3.81-Housing	1010A0YXXA (H)	1	PA66	UL94V-0
---	---------------------	----------------	---	------	---------

DETACHED LISTS		MATERIAL:		FINISH:		PART NO.:		NAME:	
TOLERANCES EXCEPT AS NOTED		.XX ±		.XX ±		.XXX ±		.XXX ±	
ANGLES ± 1°		APPD:		TITLE: ASSEMBLY DRAWING		REV		T6	
THIRD ANGLE PROJECTION		CHKD:		DRAWING NO.: 15EDGK-3.81-E04		DO NOT SCALE DRAWING		SCALE N/A SHEET 1/1	
		DRFT: Zhuwm 07/24/'04							



15EDGK-3.81-XXP-1Y-00A(H)

H  
G  
F  
E  
D  
C  
B  
A

H  
G  
F  
E  
D  
C  
B  
A