

DTS20F21-39SN ✓ ACTIVE

DEUTSCH | DEUTSCH 38999, DEUTSCH 38999 Series III

TE Internal #: DTS20F21-39SN

Standard Circular Connectors, Cable-to-Panel, 39 Position,
Sealable, Wire & Cable, Power & Signal, Panel Mount, DEUTSCH
38999 Series III

[View on TE.com >](#)



Connectors > Circular Connectors > Standard Circular Connectors > D38999: Square Flange, 21-39 insert



Connector System: **Cable-to-Panel**

Number of Positions: **39**

Sealable: **Yes**

Connector & Contact Terminates To: **Wire & Cable**

Contact Current Rating (Max): **13 A**

[All D38999: Square Flange, 21-39 insert \(65\)](#)

Features

Product Type Features

| | |
|-----------------------------------|--------------------------|
| Product Type | Connector |
| Assembly Type | Electrical Connector |
| Connector System | Cable-to-Panel |
| Sealable | Yes |
| Connector & Contact Terminates To | Wire & Cable |
| Circular Connector Type | Receptacle |
| Shell Type | Square Flange Receptacle |

Configuration Features

| | |
|---------------------------------------|-----------------------|
| Keying & Polarized Position Locations | N |
| Factory Installed Backshell | No |
| Keying | Keyway Polarization N |
| Number of Positions | 39 |
| Number of Power Positions | 2 |
| Number of Signal Positions | 37 |
| Contacts Preloaded | No |

Electrical Characteristics



| | |
|-------------------|-----------|
| Operating Voltage | 600 VAC |
| Voltage | 1800 Vrms |

Body Features

| | |
|---|--|
| Peripheral Seal Material | Silicone |
| Environmental Protection | Yes |
| Weight | 29.8 g[.0658 lb] |
| Feedthrough Type | No |
| Environmental Protection Type | Elastomer Sealed |
| Entry Style | Rear Insertion |
| Fluid Type | Coolanol 25, M2-V, MIL-DTL-5624 (JP-4,JP-5), MIL-DTL-83133 (JP-8), MIL-PRF-23699, MIL-PRF-5606, MIL-PRF-7808, SEA-AMS1424 Type I |
| Shell Plating Material | Electroless Nickel |
| Shell Base Material | Aluminum 6061-T6 |
| Circular Connector Insulation Material Type | Hard Dielectric/Silicone |
| Hermetically Sealed | No |

Contact Features

| | |
|---------------------------------|---------|
| Contact Quantity (Size 20) | 37 |
| Contact Quantity (Size 16) | 2 |
| Contact Current Rating (Max) | 13 A |
| Reverse Gender | No |
| Contact Layout Arrangement | 21 – 39 |
| Circular Connector Contact Type | Socket |

Mechanical Attachment

| | |
|--------------------------|-----------------------|
| Mating Retention Type | Triple Start Threaded |
| Panel Mount Feature | With |
| Panel Mount Feature Type | Square Flange |
| Connector Mounting Type | Panel Mount |
| Polarization Code | N |
| Mating Alignment Type | Keyed |
| Mating Retention | With |

Housing Features

| | |
|-------------------------------|----|
| Circular Connector Shell Size | 21 |
|-------------------------------|----|



Alignment Keyed

Clocking

Dimensions

Assembly Length

31.5 mm[1.24 in]

Wire Size

.52 – 1.31 mm²

Usage Conditions

Fluid Resistance

Yes

Operating Temperature Range

-65 – 200 °C[-85 – 392 °F]

Operation/Application

Durability Rating

500 Cycles

Circuit Application

Power & Signal

Shielded

Yes

Packaging Features

Packaging Quantity

1

Other

Position Locations Omitted

All

Product Compliance

[For compliance documentation, visit the product page on TE.com>](#)

EU RoHS Directive 2011/65/EU

Compliant with Exemptions

EU ELV Directive 2000/53/EC

Compliant with Exemptions

China RoHS 2 Directive MIIT Order No 32, 2016

Restricted Materials Above Threshold

EU REACH Regulation (EC) No. 1907/2006

Current ECHA Candidate List: JUNE 2022 (224)
 Candidate List Declared Against: JAN 2022 (223)
 SVHC > Threshold:
 Pb (1.2% in Contact Lead-Copper Alloy)
 Decamethylcyclopentasiloxane (D5) (5% in Insert Assembly)

Article Safe Usage Statements:

Do not eat, drink or smoke when using this product. Wash thoroughly after handling. Recycle if possible and dispose of the article by following all applicable governmental regulations relevant to your geographic location.

Halogen Content

Not Yet Reviewed for halogen content

Solder Process Capability

Not reviewed for solder process capability

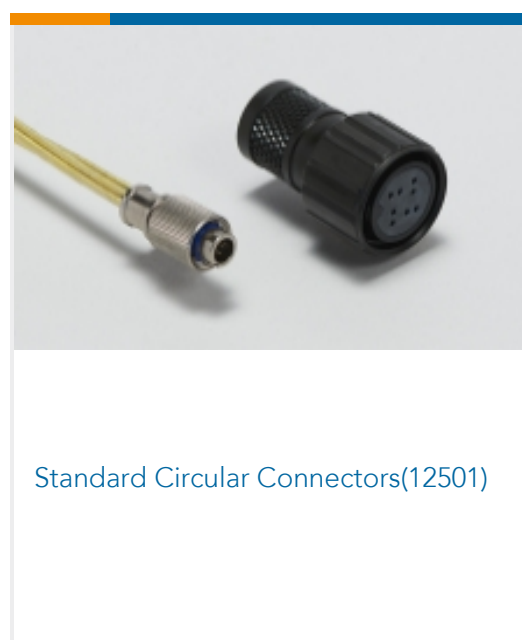
Product Compliance Disclaimer

This information is provided based on reasonable inquiry of our suppliers and represents our current actual knowledge based on the information they provided. This information is subject to change. The part numbers that TE has identified as EU RoHS compliant have a maximum concentration of 0.1% by weight in homogenous materials for lead, hexavalent chromium, mercury, PBB, PBDE, DBP, BBP, DEHP, DIBP, and 0.01% for cadmium, or qualify for an exemption to these limits as defined in the Annexes of Directive 2011/65/EU (RoHS2). Finished electrical and electronic equipment products will be CE marked as required by Directive 2011/65/EU. Components may not be CE marked. Additionally, the part numbers that TE has identified as EU ELV compliant have a maximum concentration of 0.1% by weight in homogenous materials for lead, hexavalent chromium, and mercury, and 0.01% for cadmium, or qualify for an exemption to these limits as defined in the Annexes of Directive 2000/53/EC (ELV). Regarding the REACH Regulation, the information TE provides on SVHC in articles for this part number is based on the latest European Chemicals Agency (ECHA) 'Guidance on requirements for substances in articles' posted at this URL: <https://echa.europa.eu/guidance-documents/guidance-on-reach>

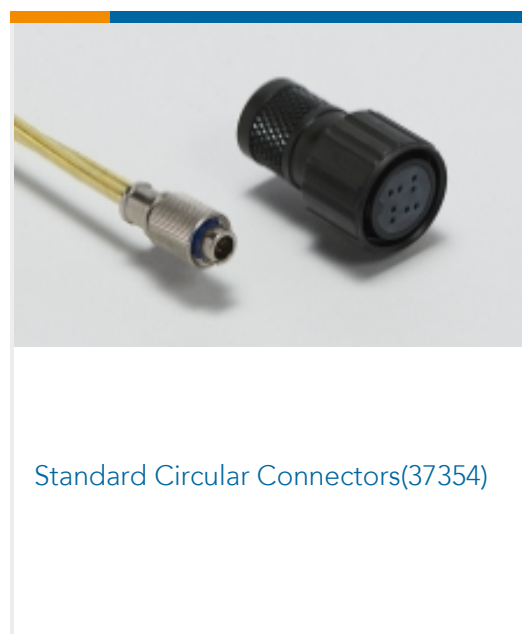
Compatible Parts



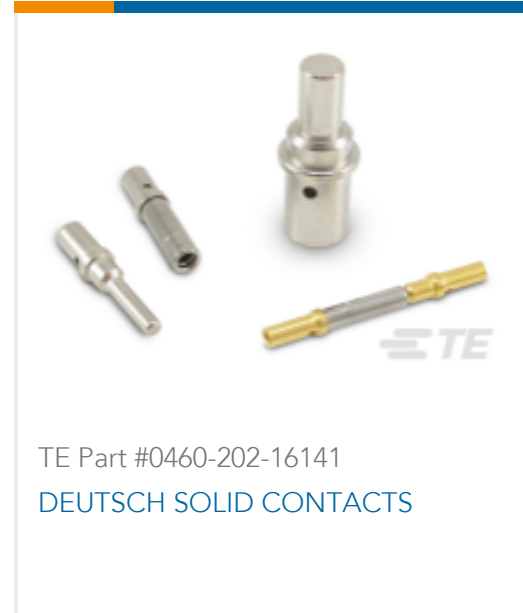
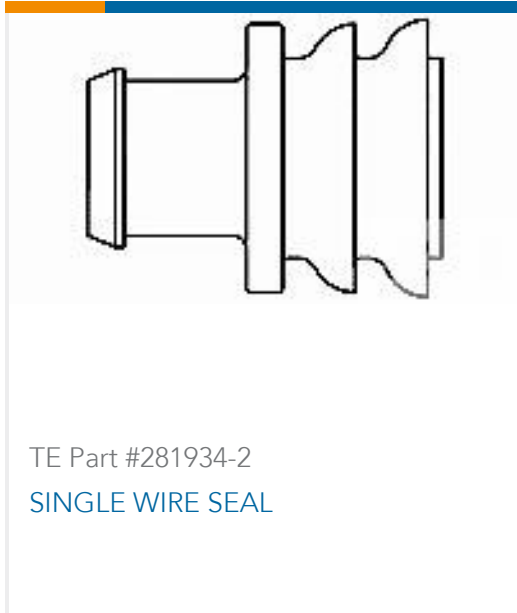
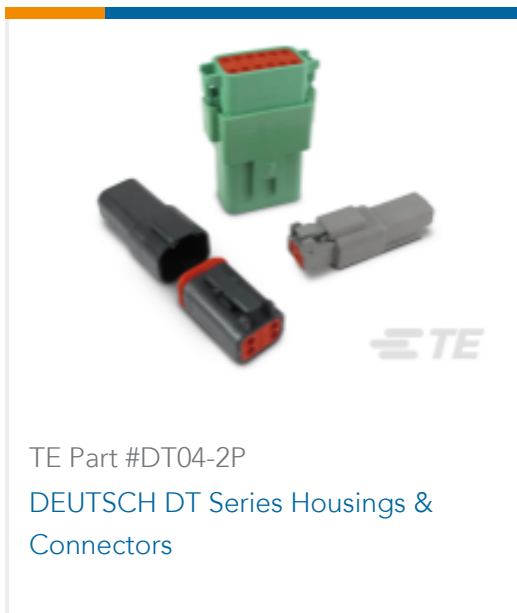
Also in the Series | DEUTSCH 38999



Also in the Series | DEUTSCH 38999 Series III



Customers Also Bought



Documents

[Datasheets & Catalog Pages](#)

[DEUTSCH MIL-DTL-38999 Connectors Quick Reference Guide](#)

English