

# TPCM 201610



Sample image

**Order symbol :** TPCM 201610

**Product nr :** 5824025

**Description :** Enclosure, PC

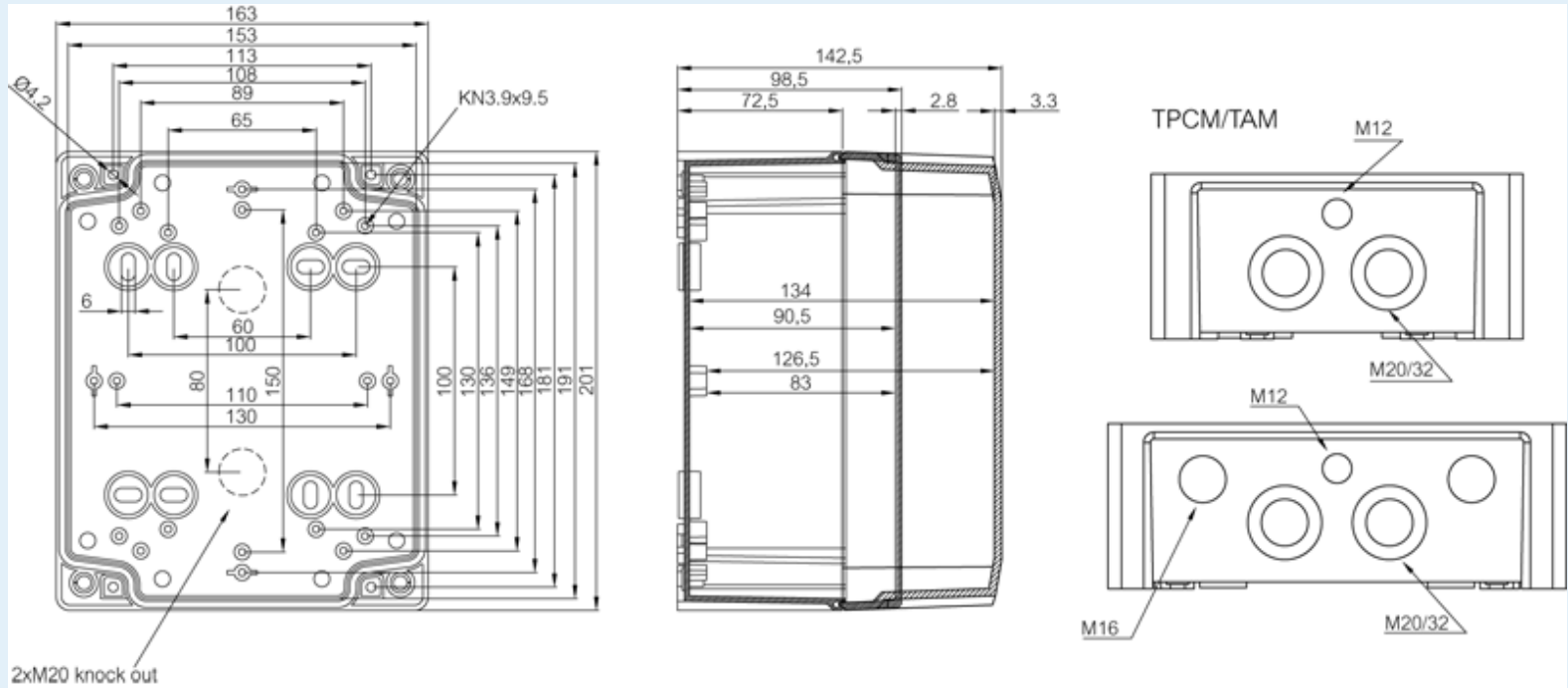
**Remarks :** Grey cover

**EAN :** 6418074087171

**Including :**

**El. number :**

- Finland :
- Denmark :
- Sweden :



Dimensions :	Height	Width	Depth
mm :	201	163	99
inch :	7.91	6.42	3.9

**Materials :**

Material : Polycarbonate  
 Base colour :  
 Cover colour :  
 Gasket material :

**Accessories :**

- ARH 2320 DIN-35 Mounting rail, for enclosures: (180 x 35 x 1)
- MP 2016 Mounting plate, for enclosures: (155 x 140 x 0)
- DH-3 DIN-35 Mounting rail, for enclosures: (140 x 35 x 1)
- FP 10674 Wall fastening lug (2 pcs) incl. screws

**Rating :**

Ingress protection (EN 60529): IP65;  
 Impact Resistance (EN 62262): IK07; IK08;

**Temperatures :**

Temperature °C (short term) :	-40 ... 120
Temperature °C (continuous) :	
Temperature °F (short term) :	-40 ... 250
Temperature °F (continuous) :	-40 ... 175

Electrical insulation :	Totally insulated
Halogen free (DIN/VDE 0472, Part 815):	1
UV resistance :	-
Flammability Rating :	UL 746C 5"
Glow Wire Test (IEC 695-2-1) °C :	960 °C
NEMA Class	

**Certificates :**

Certificate FI 40343