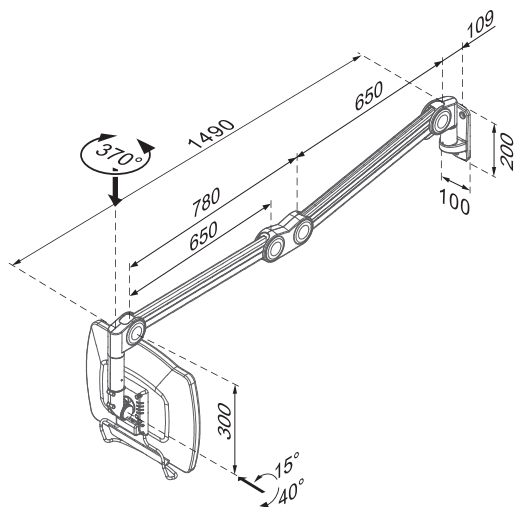


# Neomounts®



## FPMA-HAW200

EN Medical mount

NL Medische steun

DE Medizinische Halterung

FR Support médical

IT Supporto medico

ES Soporte médico

PT Suporte medico

DK Medicinsk beslag

NO Medisinsk feste

SE Medicinsk fäste

FI Medical teline

PL Uchwyt medyczny

CS Držák pro lékařské účely

SK Držiak na lekárske vybavenie

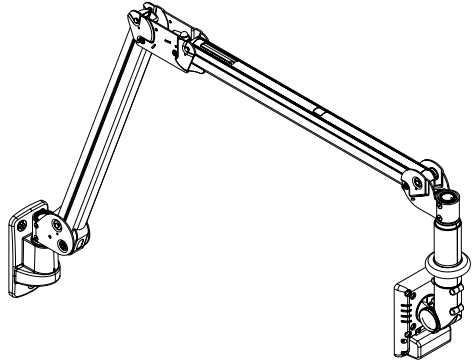
RO Suport medical

## FPMA-HAW200



## INDEX

Before starting assembly	p. 2
Parts	p. 3
Arm operation	p. 5
Serviceable range	p. 6
Wall assembly	p. 7
Cable assembly	p. 9
Monitor assembly	p. 13
Adjustment for loading	p. 15
Replacement of the arm covers	p. 18
Adjusting universal joint tension	p. 21
Safety notes	p. 22



## BEFORE STARTING ASSEMBLY

- Please read this manual thoroughly, before assembling the product.
- Some drawings are enlarged to clarify the steps.
- Do not discard any of the packaging until you have checked all the parts.
- If you are missing any of the parts, please contact your supplier.

### Note

Only if required, the fastening hardware may be replaced by the installer at their own risk, based on the requirements of the wall composition; Neomounts shall not be held liable if any fastening hardware supplied by third parties fails to sufficiently secure the wall mount to the wall.

### Cleaning recommendations

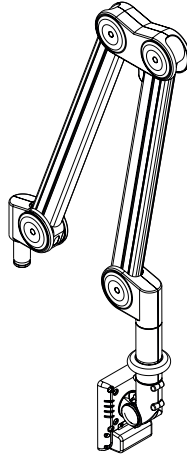
- Please use non-abrasive or diluted products to clean the plastic components of this product, such as soap water or diluted alcohol.
- Use a soft cloth with 91% isopropyl alcohol to remove pen or marker spots on the surface of the arm.
- For any other stains like iodine spots, a soft cloth with above cleansers is suggested for cleaning.
- The following chemicals are strictly forbidden to use cleaning the arm: abrasive cleansers, acetone, mineral spirits, paint thinner or any other harsh or toxic chemicals.



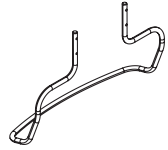
THE INSTALLATION SHOULD BE PERFORMED BY A QUALIFIED TECHNICIAN AND SHOULD MEET THE REQUIREMENTS OF LOCAL REGULATIONS

# PARTS

1. (x1)



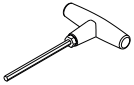
2. (x1)



3. (x1)



4. (x1)



5. (x1)



6. 3 mm (x1)



7. (x8)



8. M4x12 (x4)



9. M6x30 (x4)



10. M4x25 (x4)



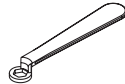
11. (x4)



12. 2,5 mm (x1)



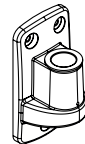
13. 4 mm (x1)



14. (x2)



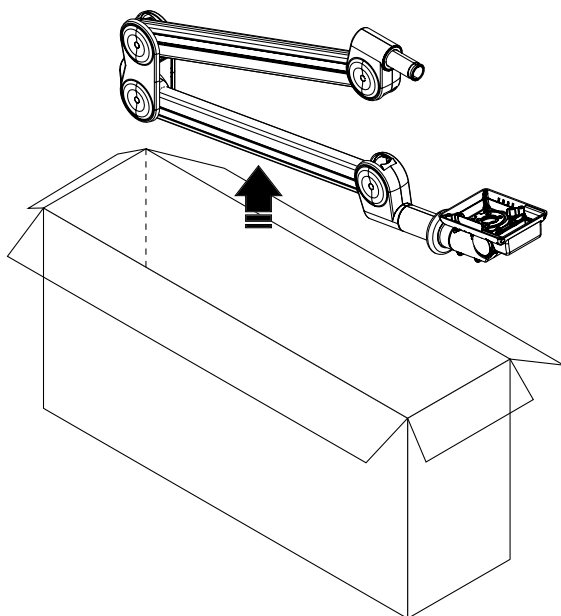
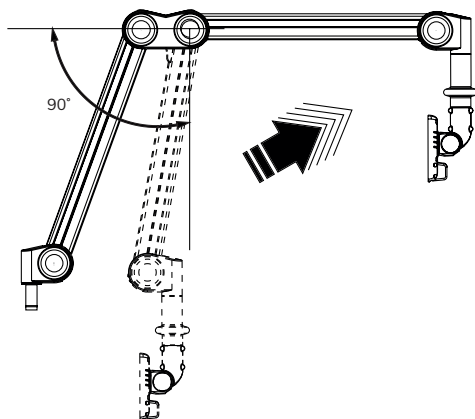
15. (x1)



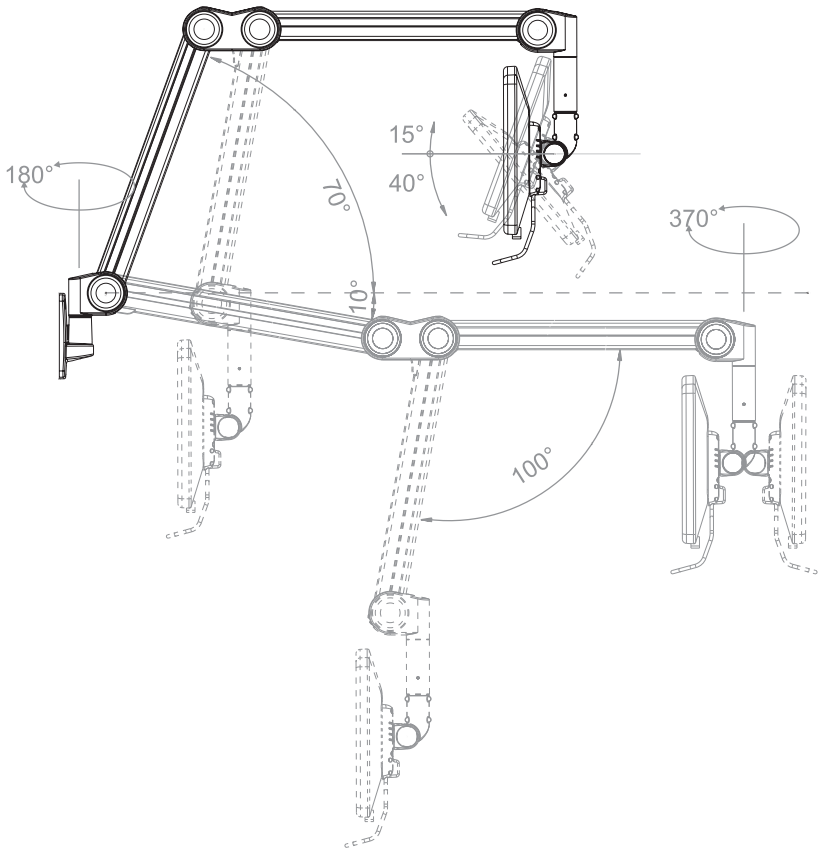
16. (x1)

## ATTENTION

The arm will bounce up with a vertical movement going past 90°.

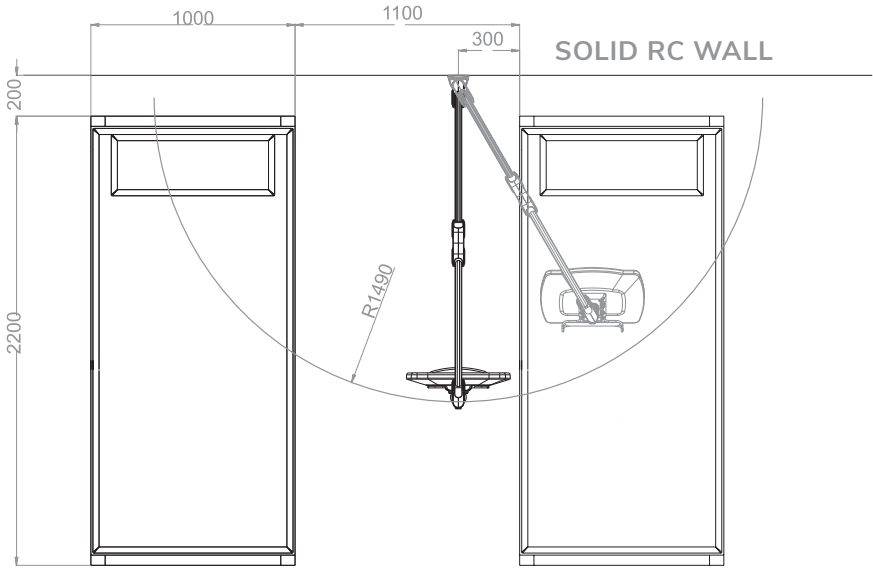


# ARM OPERATION

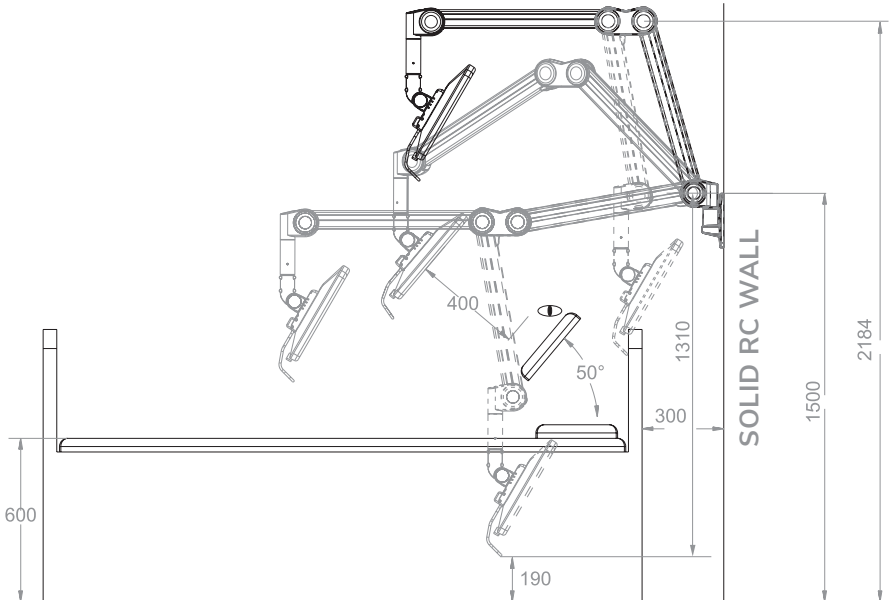


# SERVICEABLE RANGE

Top view  
Unit: mm

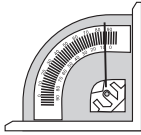


Right view  
Unit: mm

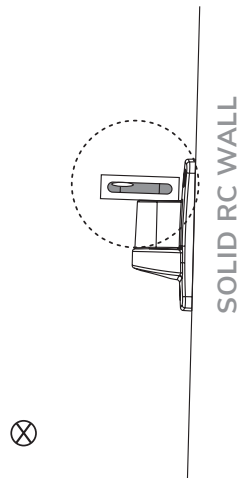
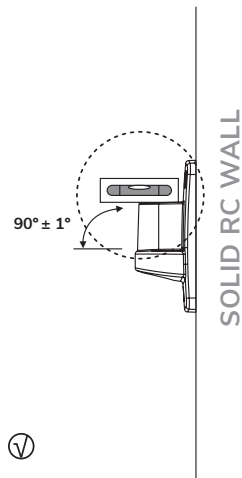
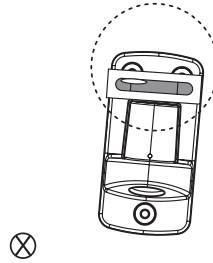
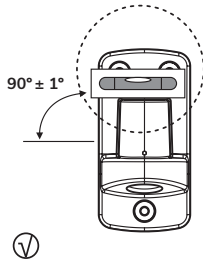
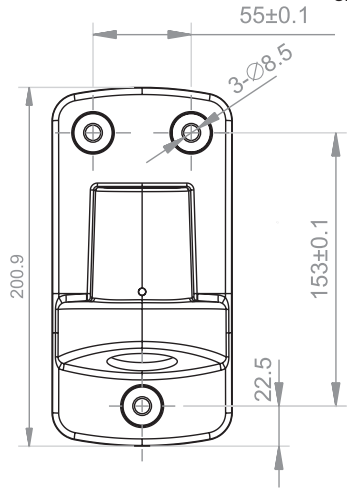


# WALL ASSEMBLY

Unit: mm



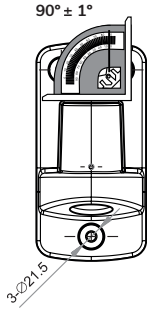
NOTE: use level gauge or protractor to help the wall mount installation



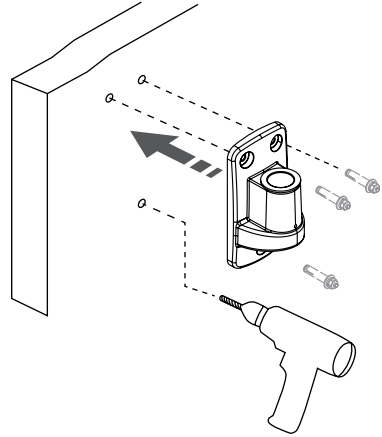
## STEP 1

### Install the wall mount firmly to a solid wall

1. Choose the exact place and height you want to fix the wall mount on the wall and mark the 3 drill holes.
2. Attach the wall mount to the wall with 3 expansion bolts (not included).



Use level gauge to help the wall mount installation.

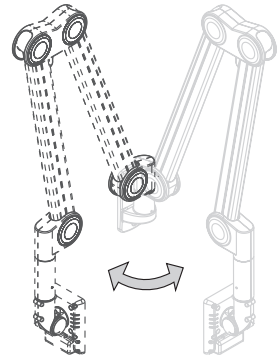
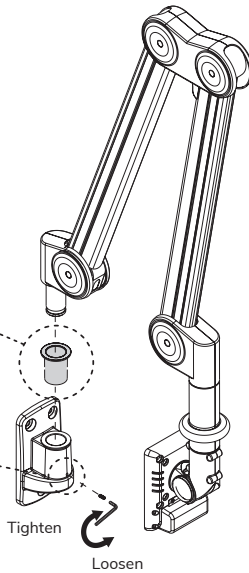


## STEP 2

### Place the arm onto the spindle

Make sure the plastic bushing is already inserted in the wall mount before putting the arm onto the wall mount.

Use a 2.5mm allen key to secure the pole to the wall mount. Loosen the screw a half turn if resistance is felt.



Move the arm from side to side to verify if the arm moves correctly.

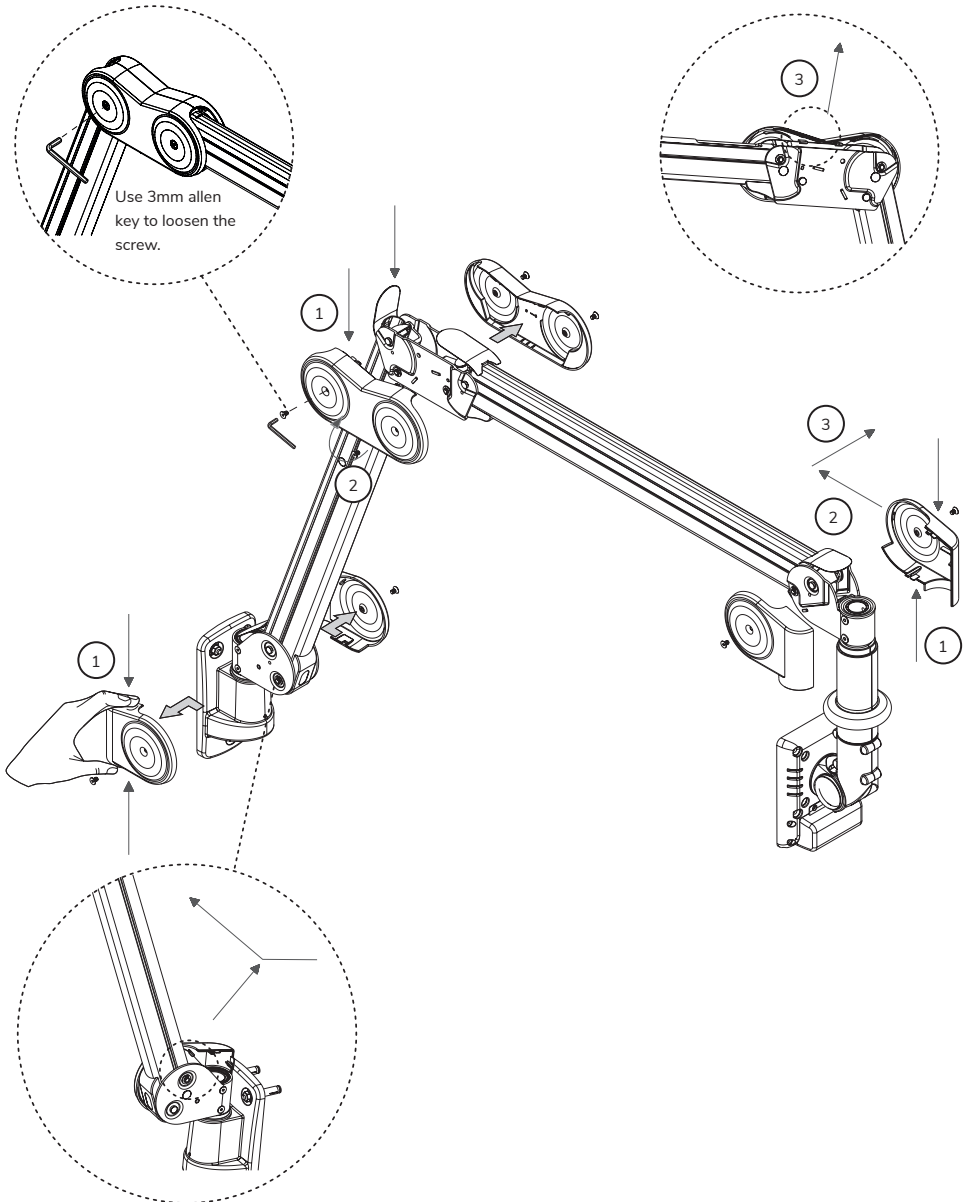


# CABLE ASSEMBLY

## STEP 3.1

Remove the arm covers:

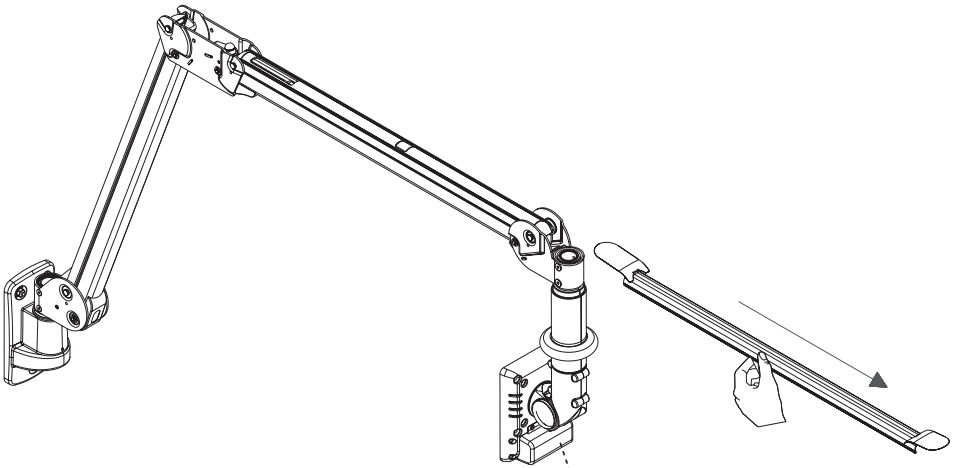
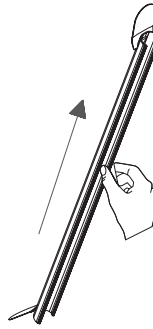
Remove the screws and remove the covers as instructed.



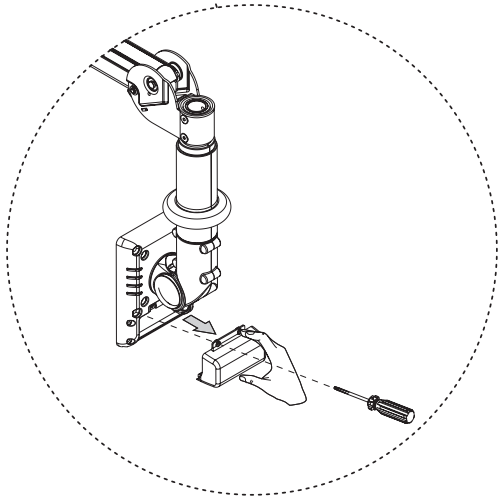
## STEP 3.2

Remove the cable covers.

Carefully slide the cable cover out of the arm slot, as shown.



Remove the VESA cable cover with a screw driver (not provided), as shown. Save the screws for reattachment after the installation of the monitor.

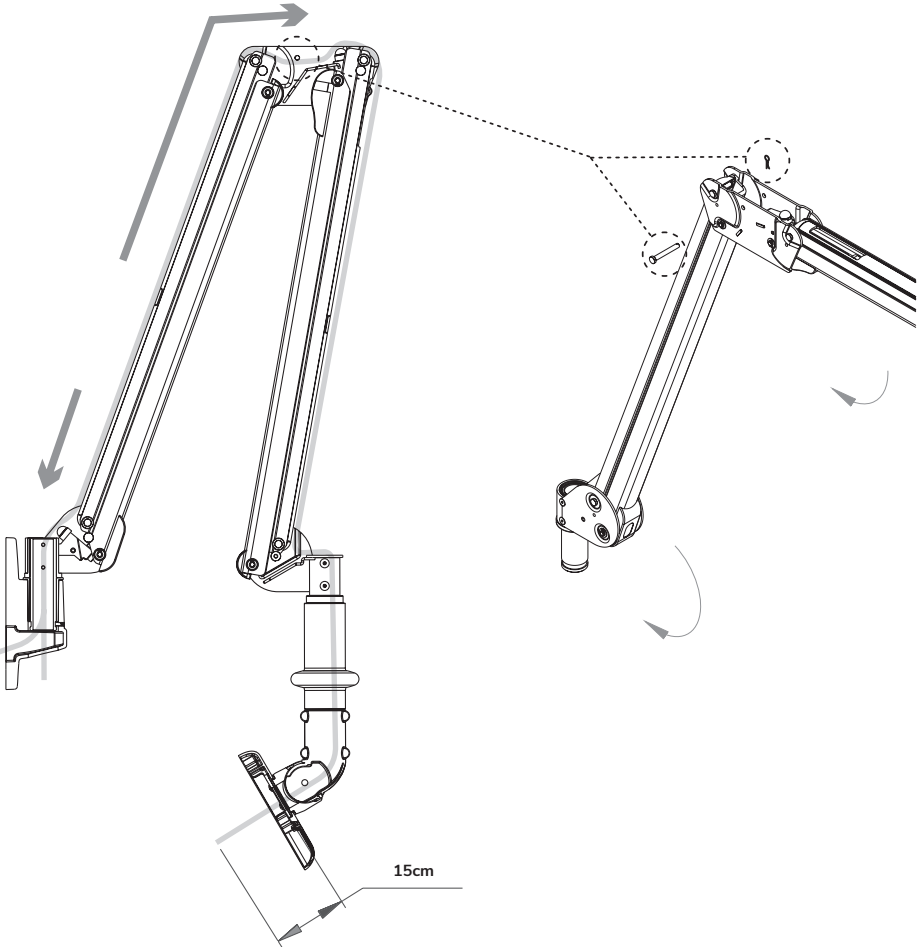
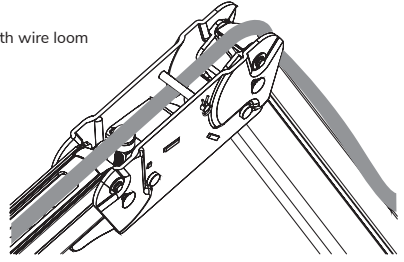


### STEP 3.3

Run the cables through the arm. Use the cable bolt and R-pin to fix the cable with wire loom (as shown).

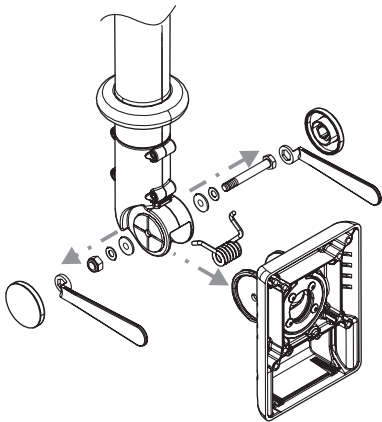


The cable with wire loom must lay under the cable bolt!  
Some slack must be left in the cables to allow arm movement.

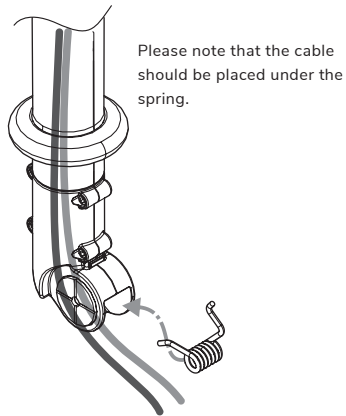


- The VESA adapter must be moved entirely down to put the cable through.
- Allowing for arm movement, it is suggested to keep at least 15 cm of cable left from the VESA adapter.

1

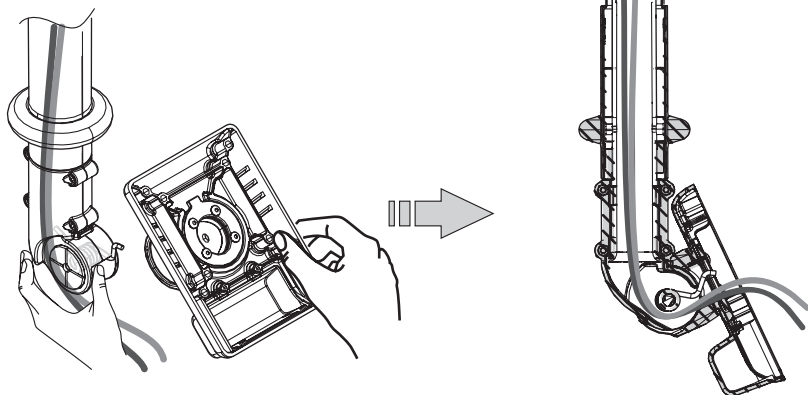


2

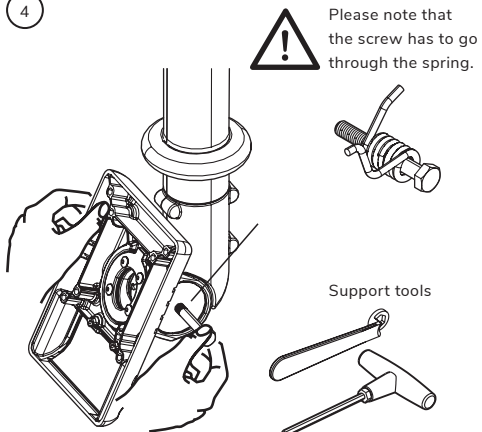


Please note that the cable should be placed under the spring.

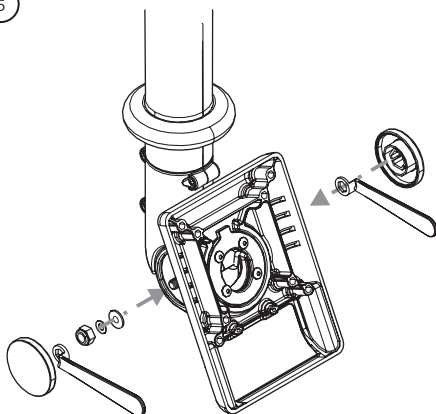
3



4



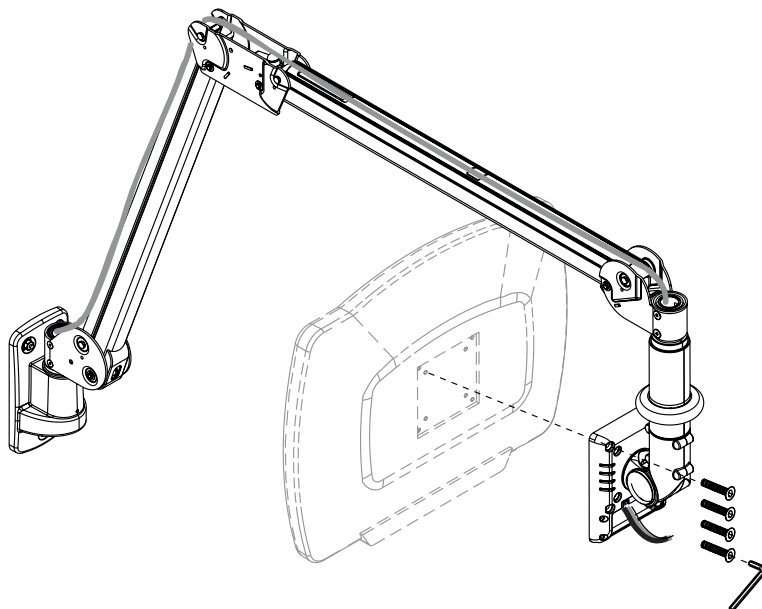
5




# MONITOR ASSEMBLY

## STEP 4.1


Fix the monitor on the VESA mount, using the Allen key and screws.




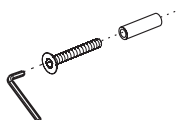
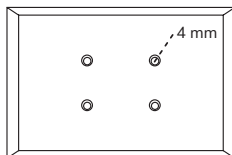
 9. M6x30 (x4)

 11. 4 mm (x1)

 10. M4x25 (x4)

 11. (x4)

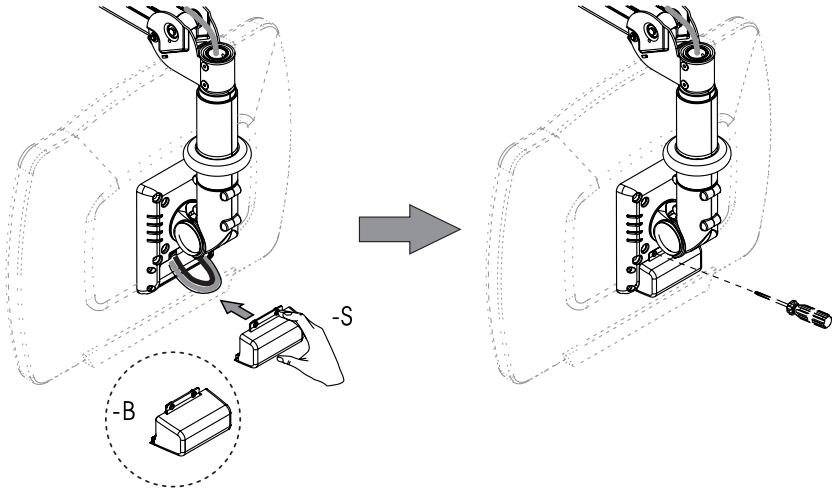
 13. 2,5 mm (x1)



## STEP 4.2

### Connect the cable to the monitor

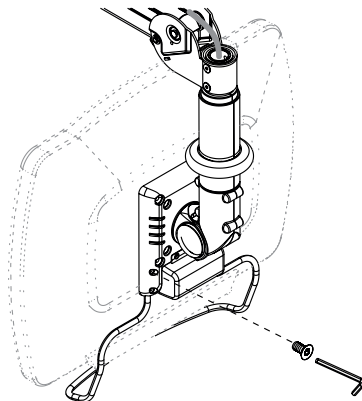
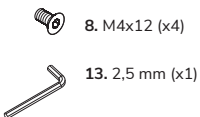
Connect the cables to the monitor, complete the circuit and replace the VESA cable cover-B or VESA cable cover-S.



## STEP 5

### Fix the handle bar

1. Insert the handle bar into the 2 holes on the bottom of the VESA interface.
2. Fix the handle bar with 4 screws with a 2,5 mm Allen key through the 4 holes on the lower part of the VESA interface.



## ADJUSTMENT FOR LOADING

### Caution for weight capacity adjustment

1. Make sure you have checked the weight of the monitor you wish to mount.
2. Support the arm throughout/ during installation.

### Adjustment:

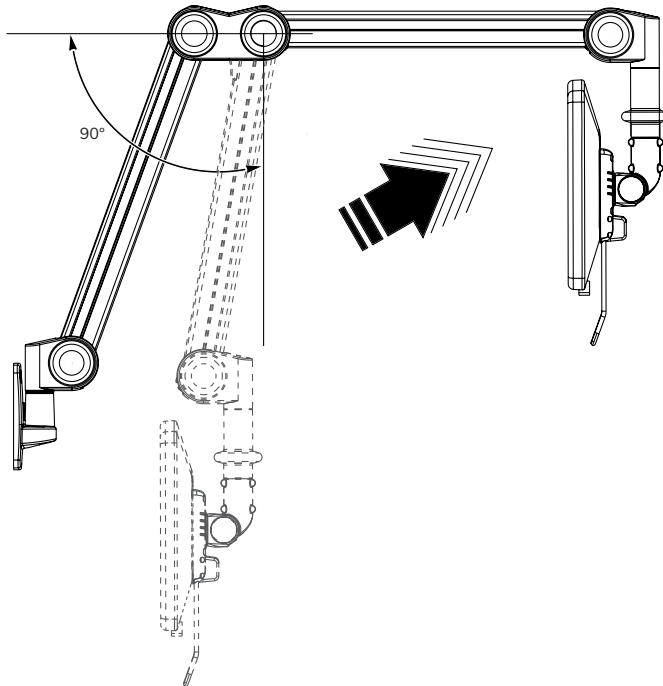
Use the Allen key provided to adjust the weight capacity. Twist the Allen key in a clockwise direction for more weight; counterclockwise direction for less weight.

### Loading: 1-7 kg

- Products loading capacities are based on monitors' center of gravity less than 3cm from the end of the VESA interface.
- Loading capacity could be reduced if monitor size of greater than 26 inches or depth of greater than 5.5cm.
- All products specifications in catalogues are subject to change without notice .



If the monitor's weight is less than 7kg, the arm will bounce up with a vertical movement going past 90°.



## STEP 6.1

### Caution for weight capacity adjustment

1. Make sure you have checked the weight of the monitor you wish to mount.
2. Support the arm throughout/ during installation.

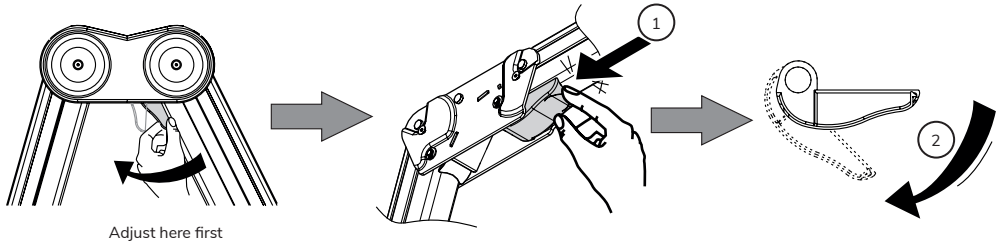
### Adjustment:

Adjust the arm close to the monitor first. Use the T-Allen key provided to adjust the weight capacity. Twist the T-Allen key in a clockwise direction for more weight; counterclockwise direction for less weight.

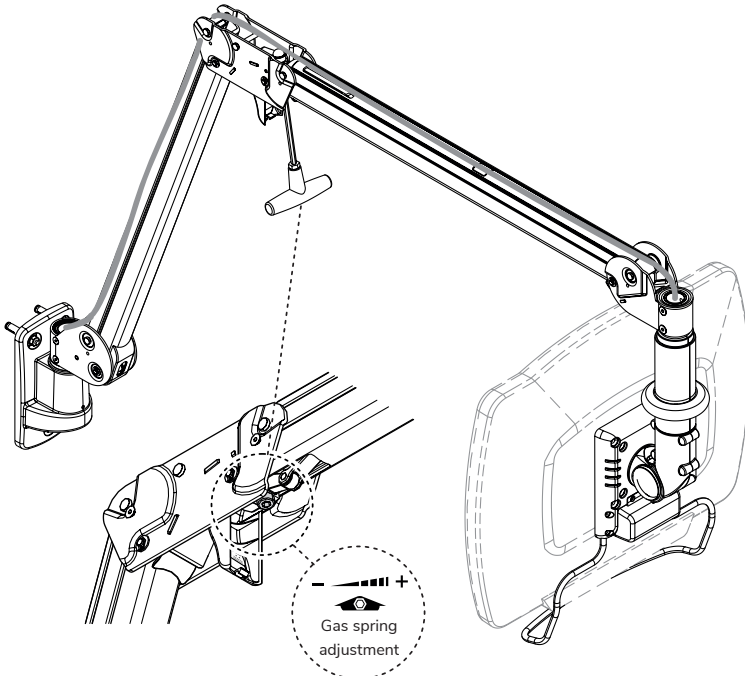
### Loading: 1-7 kg

- Products loading capacities are based on monitor s' center of gravity less than 3cm tr om the end of the VESA interface.
- Loading capacity could be reduced if monitor size of greater than 15 inches or depth of greater than 5.5cm.
- All products specifications in catalogues are subject to change without notice.

Open the adjuster covers as shown:



- Extend the arm straight out as shown, before adjusting the weight capacity.
- Use T-Allen Key for adjusting the tension.



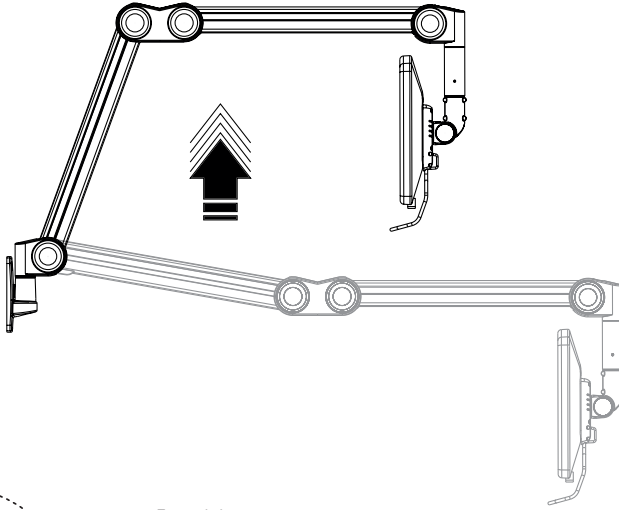
Before checking the tension, make sure to remove the T-Allen key from the adjustment screw every time first.



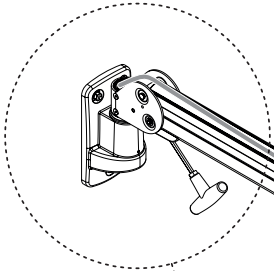
## STEP 6.2



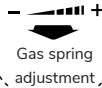
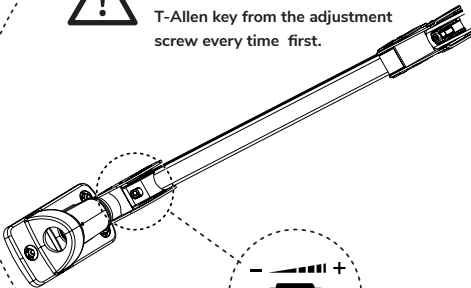
If the monitor's weight is less than 7kg, the arm will bounce up when moved vertically.



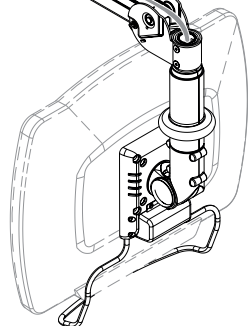
Extend the arm straight out before adjusting the weight capacity.



Before checking the tension, make sure to remove the T-Allen key from the adjustment screw every time first.



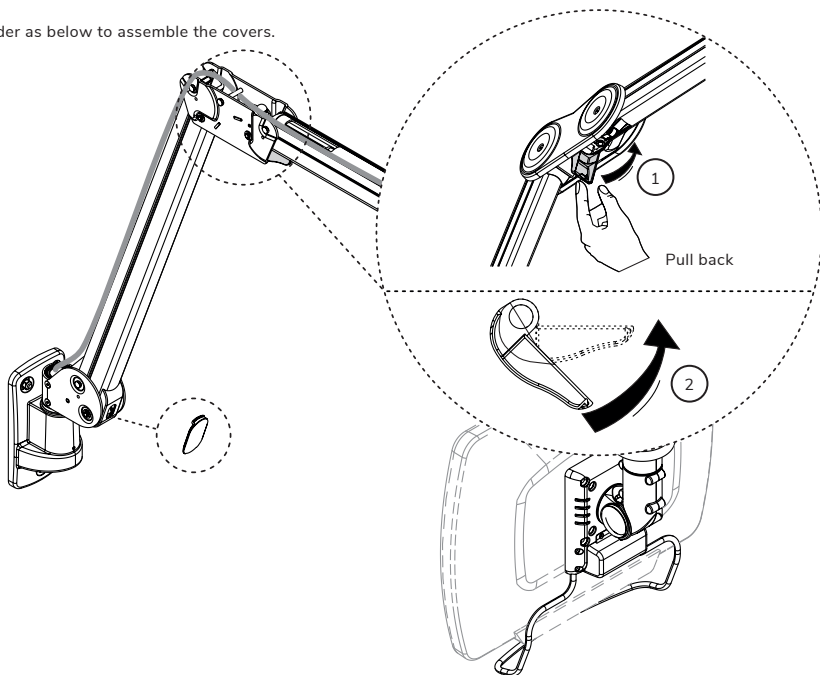
Gas spring adjustment



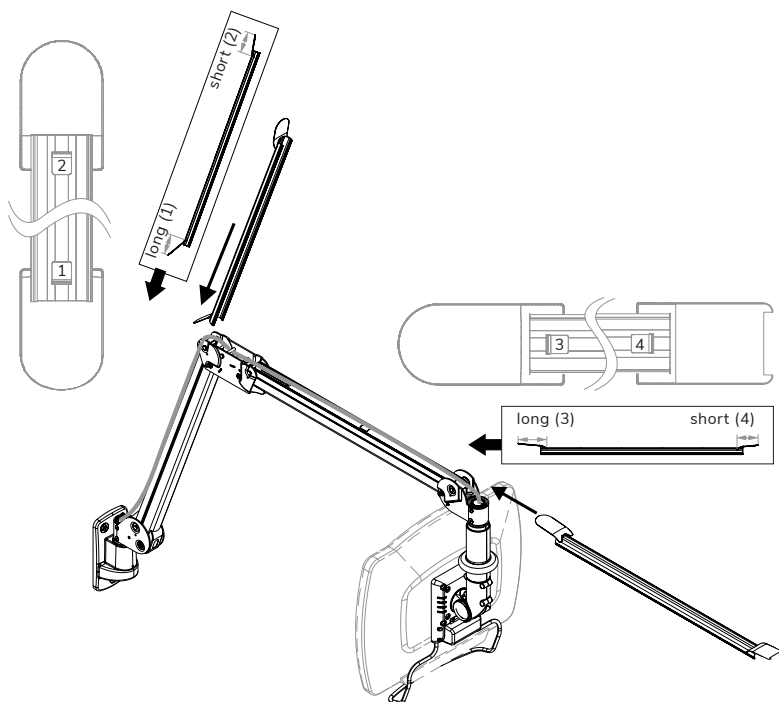
# REPLACEMENT OF THE ARM COVERS

## STEP 7.1

1. Follow the order as below to assemble the covers.

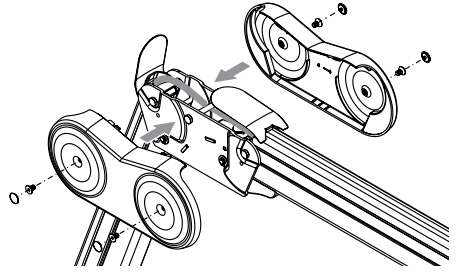


2. Carefully slide the cable covers into the slot as shown. The numbers are indicated on the inner side.

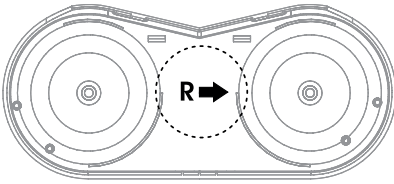


## STEP 7.2

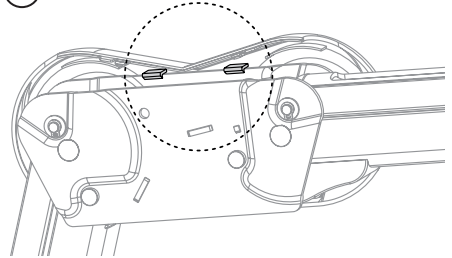
1. Place back the center covers. The arrow inside the cover indicates the monitor direction.
2. Press the cover down and click it on the metal part.
3. Insert the white covers inside the center cover.
4. Attach the other center cover as well and press them together. Please make sure the cover hooks came together before pressing
5. Screw the covers with metal together and use the small screw cover to cover the screw hole.



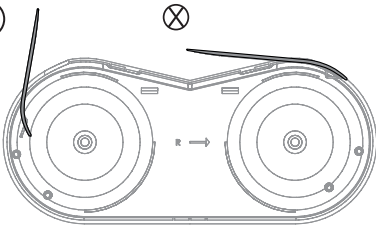
1



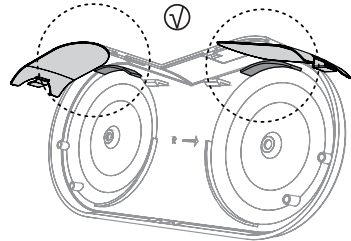
2



3

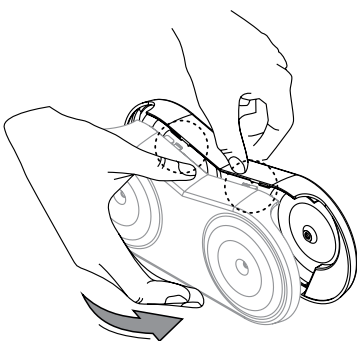


2

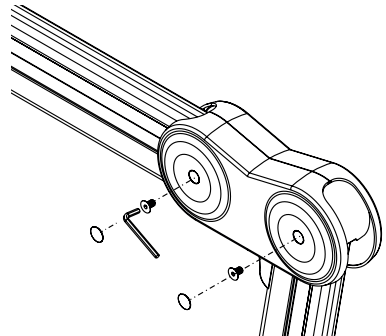


Please note the center covers have to hold the white cover.

4

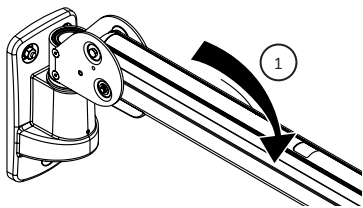


5

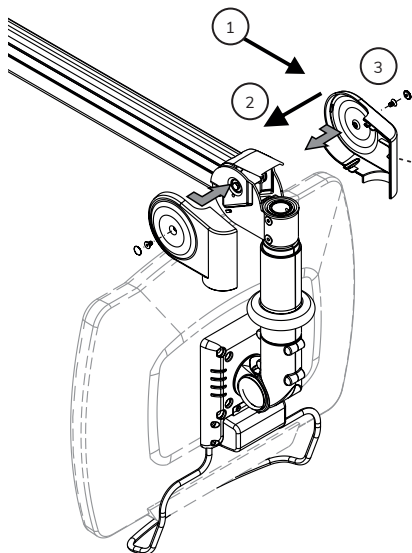
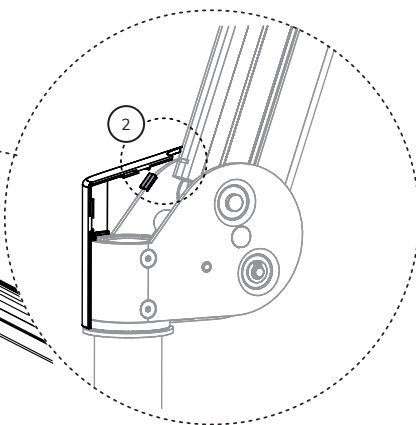
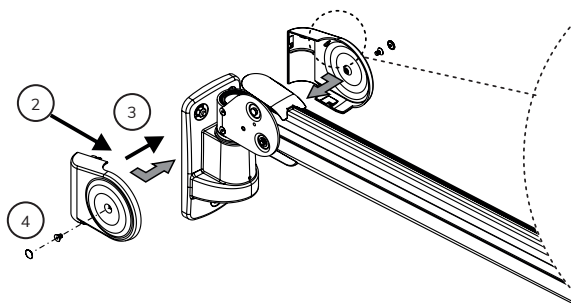


## STEP 7.3

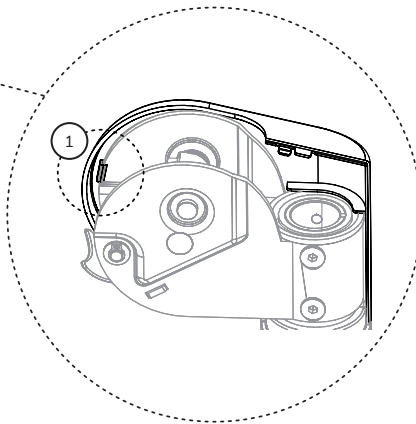
Press the arm downward before continuing the installation.



Press the base covers downward and click them together. Screw the base covers on the metal part.



Press the base covers downward and click them together. Screw the base covers on the metal part.



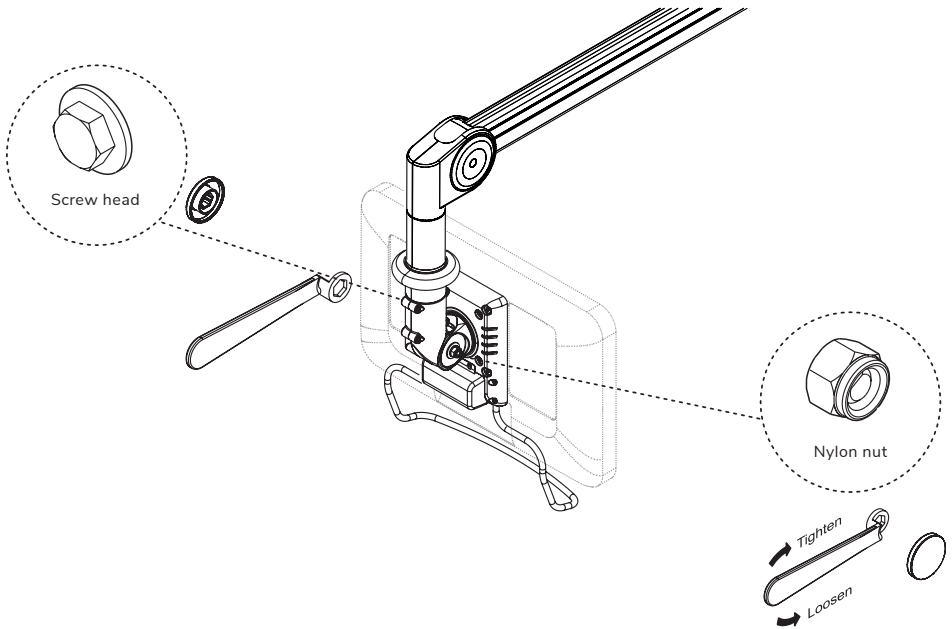
## ADJUSTING UNIVERSAL JOINT TENSION

When assembling the arm with monitors of different weight, you may find that the tension of the universal joint needs to be adjusted to ease movement or to maintain the desired monitor position. If so, adjust as follows:

1. Remove the plastic universal joint cover.
2. Find the nylon nut (not the screw head) and use the provided wrench to adjust the tension. Fix the screw head by wrench during adjustment.
3. Use one hand to support the monitor and adjust the tension of the universal joint:  
Clockwise: more tension  
Counterclockwise: less tension
4. When the desired tension is achieved, replace the plastic covers.

### Caution

- Support the monitor during the adjustment procedure.
- Only adjust the nylon nut (not the screw head).
- Do not disassemble the universal joint.

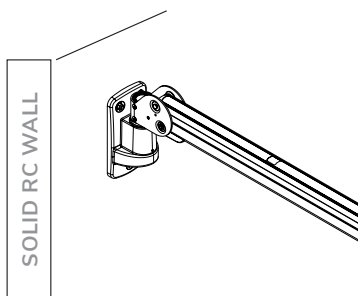


## SAFETY NOTES

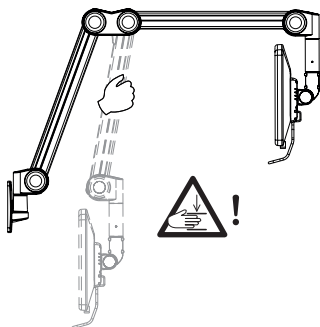
- Do not disassemble once assembled.
- Make sure that mounting screws are suitable for the vertical surface and adequate to hold the weight of the arm and the monitor.
- Support the monitor and arm throughout assembly and mounting.
- Keep small parts out of reach from children.



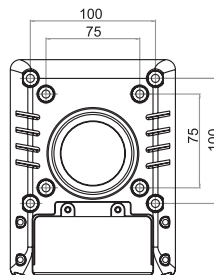
Make sure that the vertical surface is substantial to hold the weight of the arm and the monitor.



Be careful not to get your hand caught/hurt while adjusting the arm.



Only use with LCD/ TFT monitors compliant with VESA 75x75 or 100x100 mm.

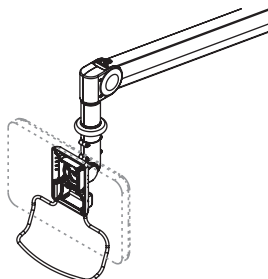


Monitors to be mounted should not weigh more than the maximum weight capacity of the mount, as stated in this manual.

### Loading:

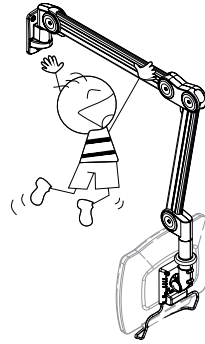
#### FPMA-HAW200: 1-7 kg

- Products loading capacities are based on monitors' center of gravity less than 3cm from the end of the VESA interface.
- Loading capacity could be reduced if monitor size of greater than 26 inches or depth of greater than 5.5cm.
- All products specifications in catalogues are subject to change without notice.

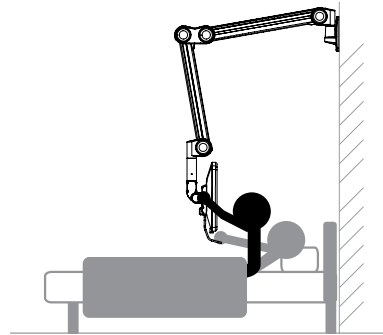




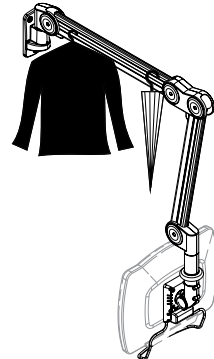
Do not hang or swing on the arm.



Do not hold the arm as a support to get up.



Do not place unnecessary objects on the arm.



## EN CAUTION

1. To ensure safety, please read this manual carefully before installation and follow the instructions. Store this manual in a secure place for future reference.
2. The manufacturer shall not be held equally responsible for any equipment damage or personal injury caused by incorrect installation or operation other than that covered in this manual.
3. The mount is designed for easy installation and removal. The manufacturer shall not be liable for damage to equipment or personal injuries arising out of human factors or acts of nature, such as earthquake or typhoon.
4. It is recommended that the mount be installed by qualified personnel only.
5. At least two persons are needed to install or remove the product to avoid hazard of falling objects.
6. Please carefully inspect the area where the mount is to be installed:
  - Avoid places that are subject to high temperatures, humidity or contact with water.
  - Do not install the product near air conditioning vents or areas with excess dust and fumes.
  - Only install on vertical walls and avoid slanted surfaces.
  - Do not install in places subject to any shock or vibration.
  - Do not install in places subject to direct exposure to bright light, as it may cause eye fatigue when viewing the display panel.
7. Maintain sufficient space around the display to ensure adequate ventilation.
8. To ensure safe installation, first check the structure of the wall, ceiling or floor and select a secure mounting location.
9. The weight of the ceiling hanging is strong enough to support a weight of at least four times of the display and mount combined. The mounting location must be able to withstand earthquake or other strong shock.
10. Do not modify any accessories or use broken parts. Contact your dealer with any questions.
11. Tighten all screws (do not exert excessive force to avoid breaking the screw or damaging its thread).
12. Drill holes and bolts will be left in the wall, ceiling or floor once the display and bracket are removed. Stains may occur after extended use.
13. Please the manufacturer's way to control the wall, ceiling or floor type and installation of the mount, the warranty of the product shall only cover the body of the mount. The warranty period of the product is 5 years.
14. Please consult the English language manual for any dispute on conditions.

## DE VORSICHT

1. Um die Sicherheit zu gewährleisten, lesen Sie dieses Handbuch vor der Installation sorgfältig durch und befolgen Sie die Anweisungen. Bewahren Sie dieses Handbuch an einem sicheren Ort auf, damit Sie später darauf zurückgreifen können.
2. Der Hersteller ist rechtlich nicht verantwortlich für Geräteschäden oder Personenschäden, die durch eine andere als die in diesem Handbuch beschriebene Installation oder Bedienung verursacht werden.
3. Das Produkt ist für eine einfache Installation und Demontage ausgelegt. Der Hersteller haftet nicht für Schäden an Geräten oder Personenschäden, die durch menschliche Faktoren oder Naturereignisse wie Erdbeben oder Taifun verursacht werden.
4. Es wird empfohlen, das Produkt nur durch qualifiziertes Personal zu installieren.
5. Zur Installation oder Demontage des Produktes sind mindestens zwei Personen erforderlich, um die Gefahr von herabfallenden Gegenständen zu vermeiden.
6. Bitte überprüfen Sie den Bereich, in dem das Produkt installiert werden soll sorgfältig:
  - Vermeiden Sie Orte die hohen Temperaturen, Feuchtigkeit oder Kontakt mit Wasser ausgesetzt sind.
  - Installieren Sie das Produkt nicht in der Nähe von Lüftungsschlitzen von Klimaanlage oder Bereichen mit übermäßigem Staub und Rauch.
  - Installieren Sie das Produkt nur an eine vertikale Wand. Vermeiden Sie schräge Oberflächen.
  - Nicht an Orten installieren, die Erschütterungen oder Vibrationen ausgesetzt sind.
  - Nicht an Orten installieren die direkter Sonneneinstrahlung bzw. zu starkem Licht ausgesetzt sind, da dies beim Betrachten der Bildschirmanzeige zu Ermüdung der Augen führen kann.
7. Sorgen Sie für ausreichend Platz um das Display, um eine ausreichende Belüftung zu gewährleisten.
8. Um die Sicherheit zu gewährleisten und Unfälle zu vermeiden ist es notwendig vor der Installation die Wand-, Decken- oder Bodenstruktur zu überprüfen und eine sichere Stelle auszuwählen.
9. Pour garantir une installation sûre, vérifiez d'abord la structure de la surface, du mur, du plafond ou du sol, ni la qualité d'installation du produit, la garantie du produit ne couvre que le produit lui-même, et non le fonctionnement du produit. La période de garantie du produit est de 5 ans.
10. Modifizieren Sie kein Zubehör und verwenden Sie keine beschädigten Teile. Wenden Sie sich bei Fragen bitte an Ihren Händler.
11. Ziehen Sie alle Schrauben fest (üben Sie keine übermäßige Kraft aus, um ein Brechen der Schraube oder eine Beschädigung des Gewindes zu vermeiden).
12. Nach dem Entfernen des Produktes können Löcher und Bohrungen in der Wand-, Decken- oder Boden verbleiben. Nach längerem Gebrauch können Flecken auftreten.
13. Der Hersteller hat keinen Einfluss auf die Wand-, Decken- oder Bodentart und die Installation der Halterung. Deshalb deckt die Garantie des Produktes nur das Produkt selbst ab. Die Garantiezeit des Produktes beträgt 5 Jahre.
14. Bei Streitigkeiten über die Bedingungen ziehen Sie bitte das englischsprachige Handbuch hinzu.

## FR ATTENTION

1. Pour assurer la sécurité, veuillez lire attentivement ce manuel avant l'installation et suivre les instructions. Conservez ce manuel dans un endroit sûr pour un besoin ultérieur.
2. Le fabricant ne sera pas légalement responsable de tout dommage à l'équipement ou de blessures corporelles causé par une installation ou une utilisation incorrecte autre que celles précisées dans ce manuel.
3. Le produit est conçu pour une installation et un démontage faciles. Le fabricant ne peut être tenu responsable des dommages à l'équipement ou des blessures corporelles résultant de facteurs humains ou d'actes de nature, tels qu'un tremblement de terre ou un typhon.
4. Il est recommandé que le produit soit installé uniquement par du personnel qualifié.
5. Au moins deux personnes sont nécessaires pour installer ou démonter le produit afin d'éviter tout risque de chute d'objets.
6. Veuillez inspecter soigneusement la zone où le produit doit être installé:
  - Évitez les endroits soumis à des températures élevées, à l'humidité ou au contact avec de l'eau.
  - N'installez pas le produit à proximité de bouches de climatisation ou de zones avec un excès de poussière et de fumées.
  - Installez uniquement sur des murs verticaux et évitez les surfaces inclinées.
  - Ne pas installer dans des endroits soumis à des chocs ou des vibrations.
  - N'installez pas dans des endroits soumis à une exposition directe à la lumière vive, car cela peut provoquer une fatigue oculaire lors de la visualisation des écrans d'affichage.
7. Maintenez un espace suffisant autour de l'écran pour assurer une adéquate ventilation.
8. Pour garantir une installation sûre, vérifiez d'abord la structure de la surface, du mur, du plafond ou du sol et sélectionnez un emplacement de montage sécurisé.
9. La surface, le mur, le plafond ou le sol doivent être suffisamment solides pour supporter un poids d'au moins quatre fois l'écran et le produit combinés. L'emplacement de montage doit pouvoir résister aux tremblements de terre ou à d'autres chocs violents.
10. Ne modifiez aucun accessoire et n'utilisez pas de pièces cassées. Contactez votre revendeur pour toute question à ce sujet.
11. Serrez toutes les vis (n'exercez pas de force excessive pour éviter de casser les vis ou d'endommager leur filetage).
12. Des trous et des boulons peuvent être laissés dans le mur, le plafond ou le sol une fois le produit retiré. Des taches peuvent apparaître après une utilisation prolongée.
13. Étant donné que le fabricant ne peut pas vérifier / superviser la qualité de la surface / du mur, du plafond ou du sol, ni la qualité d'installation du produit, la garantie du produit ne couvre que le produit lui-même, et non le fonctionnement du produit. La période de garantie du produit est de 5 ans.
14. Veuillez consulter le manuel pour tout différend sur les conditions.

## IT ATTENZIONE

1. Per garantire la sicurezza, leggere attentamente questo manuale prima dell'installazione e seguire le istruzioni. Conservare questo manuale in un luogo sicuro per riferimenti futuri.
2. Il produttore non sarà legalmente responsabile per eventuali danni alle apparecchiature o lesioni personali causati da installazione o funzionamento non corretti diversi da quelli descritti nel presente manuale.
3. Il prodotto è progettato per una facile installazione e rimozione. Il produttore non è responsabile per danni alle apparecchiature o lesioni personali derivanti da fattori umani o atti di natura, come terremoti o tifoni.
4. Si consiglia di installare il prodotto solo da personale qualificato.
5. Per installare o rimuovere il prodotto sono necessarie almeno due persone per evitare il rischio di caduta di oggetti.
6. Ispezionare attentamente l'area in cui il prodotto deve essere installato:
  - Evitare luoghi soggetti ad alte temperature, umidità o contatto con l'acqua.
  - Non installare il prodotto vicino a prese d'aria o aree con polvere e fumi in eccesso.
  - Installare solo su pareti verticali ed evitare superfici inclinate.
  - Non installare in luoghi soggetti a urti o vibrazioni.
  - Non installare in luoghi soggetti a esposizione diretta a luce intensa, in quanto potrebbe causare affaticamento degli occhi durante la visualizzazione del pannello del display.
7. Mantenere uno spazio sufficiente attorno al display per garantire un'adeguata ventilazione.
8. Per garantire un'installazione sicura, verificare innanzitutto la struttura della superficie, della parete, del soffitto o del pavimento e selezionare una posizione di montaggio sicura.
9. La superficie, la parete, il soffitto o il pavimento devono essere sufficientemente robusti da sostenere un peso di almeno quattro volte il display e il prodotto combinati. La posizione di montaggio deve essere in grado di resistere a terremoti o altri forti urti.
10. Non modificare alcun accessorio o utilizzare parti rotte. Contatti il tuo rivenditore per qualsiasi domanda.
11. Stringere tutte le viti (non esercitare una forza eccessiva per evitare di rompere la vite o danneggiare la filettatura).
12. Una volta rimosso il prodotto, è possibile lasciare fori nella parete, nel soffitto o nel pavimento. Le macchie possono verificarsi dopo un uso prolungato.
13. Poiché il produttore non può verificare / supervisionare la qualità della superficie / parete, soffitto o pavimento né la qualità dell'installazione del prodotto, la garanzia del prodotto copre solo il prodotto stesso, non il funzionamento del prodotto. Il periodo di garanzia del prodotto è di 5 anni.
14. Consultare il manuale in lingua inglese per qualsiasi controversia relativa alle condizioni.

## ES PRECAUCIÓN

1. Para garantizar su seguridad, lea este manual cuidadosamente antes de la instalación y siga las instrucciones. Conserve este manual en un lugar seguro para futuras consultas.
2. El fabricante no será legalmente responsable de ningún daño producido sobre el equipo o lesión personal causada por una instalación o uso no mencionado explícitamente en este manual.
3. El soporte está diseñado para una fácil instalación y extracción. El fabricante no será responsable por daños al equipo o lesiones personales que se causan de factores humanos o actos de la naturaleza, como terremotos o tifones.
4. Se recomienda que el soporte sea instalado solo por personal cualificado.
5. Para evitar que se caiga el producto, la instalación o retirada deberá ser realizada por al menos dos personas.
6. Inspeccione detenidamente el área donde se instalará el soporte:
  - Evite los lugares sometidos a altas temperaturas, humedad o contacto con el agua.
  - No instale el producto cerca de ventiladores de aire acondicionado o áreas con exceso de polvo y humos.
  - Instalar solo en paredes verticales y evitar superficies inclinadas.
  - No instale en lugares sujetos a golpes o vibraciones.
  - No instale en lugares sometidos a la exposición directa a la luz brillante, ya que puede causar fatiga ocular al ver el panel de la pantalla.
7. Mantenga suficiente espacio alrededor de la pantalla para asegurar una ventilación adecuada.
8. Para garantizar una instalación segura, primero verifique la estructura de la pared, el techo o el piso y seleccione una ubicación de montaje segura.
9. La pared, el techo o el piso deben ser lo suficientemente fuertes para sostener un peso de al menos cuatro veces la pantalla y el montaje combinados. La ubicación de montaje debe ser capaz de resistir un terremoto o otro golpe fuerte.
10. No modifique ningún accesorio ni utilice componentes deteriorados. Póngase en contacto con su distribuidor si tiene alguna duda.
11. Apriete todos los tornillos (no ejerza demasiada fuerza para evitar que se roma el tornillo o se dañe la rosca).
12. Mantenga los orificios y los pernos en la pared, techo o suelo después de retirar la pantalla y el soporte. Podrían quedar manchas después de un uso prolongado.
13. Dado que el fabricante no tiene la manera de controlar el tipo de pared, techo o piso y la instalación del soporte, la garantía del producto solo cubrirá el cuerpo del soporte. El periodo de garantía del producto es de 5 años.
14. Consulte el manual en inglés si tiene alguna duda acerca de las condiciones.