

Jack Connectors

Order code	Manufacturer code	Description
20-1662	n/a	VERTICAL 3.5MM STEREO SOCKET (RC)

Jack Connectors	Page 1 of 2
The enclosed information is believed to be correct, Information may change without notice due to product improvement. Users should ensure that the product is suitable for their use. E. & O. E.	Revision A 20/02/2007

3.5 mm SINGLE MONO AND STEREO JACKS

35RAPC4BV4 – STEREO, VERTICAL, THREADED

MATERIALS

Coil Springs: Steel wire.

Shunt Terminals: Copper alloy strip, tin alloy plated.

Ring Spring: Copper alloy strip, tin alloy plated.

Ground Terminal: Copper alloy strip, tin alloy plated.

Bushing: Plated copper alloy.

Cover: Thermoplastic, UL 94V-0 black color.

Body: Thermoplastic, UL 94V-0 black color.

PERFORMANCE SPECIFICATIONS

Contact Resistance: 20 milliohms maximum, initial
50 milliohms maximum, after life.

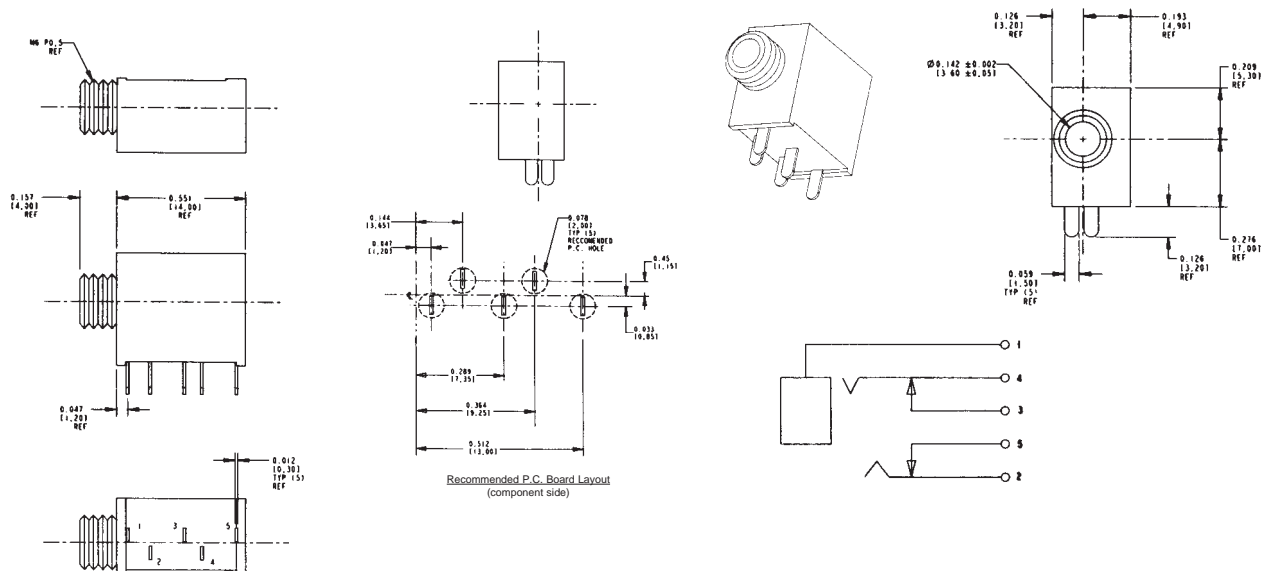
Insulation Resistance: 50 milliohms minimum at 500V DC.

Dielectric Withstanding Voltage: 250V AC.

Life: 5000 cycles, minimum.

Insertion Force: 0.88 - 3.5 pounds.

Withdrawal Force: 0.88 - 3.5 pounds.



DIMENSIONS ARE FOR REFERENCE ONLY $\frac{\text{Inch}}{\text{(mm)}}$

NOTE: Contact your Switchcraft Representative for price and delivery.