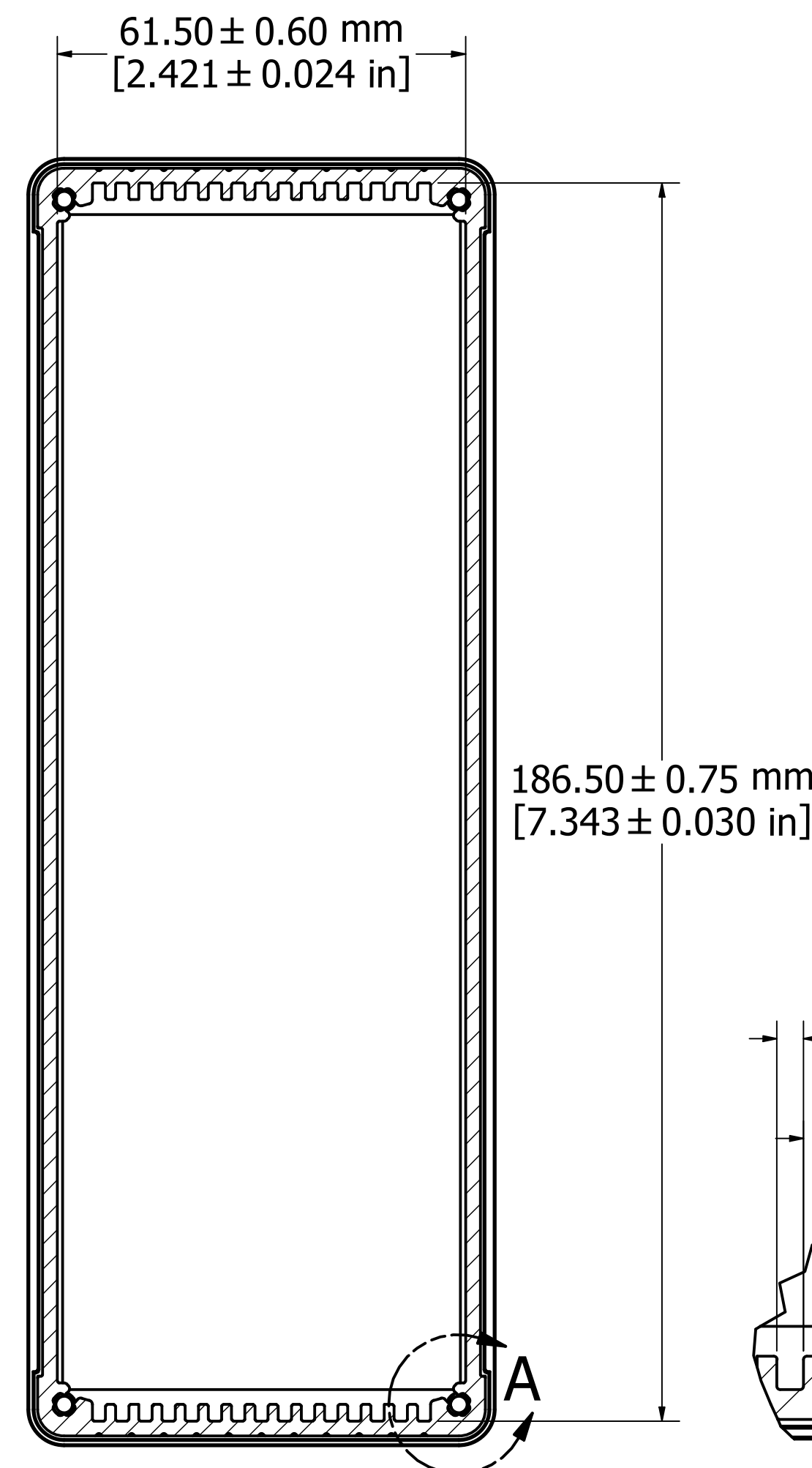
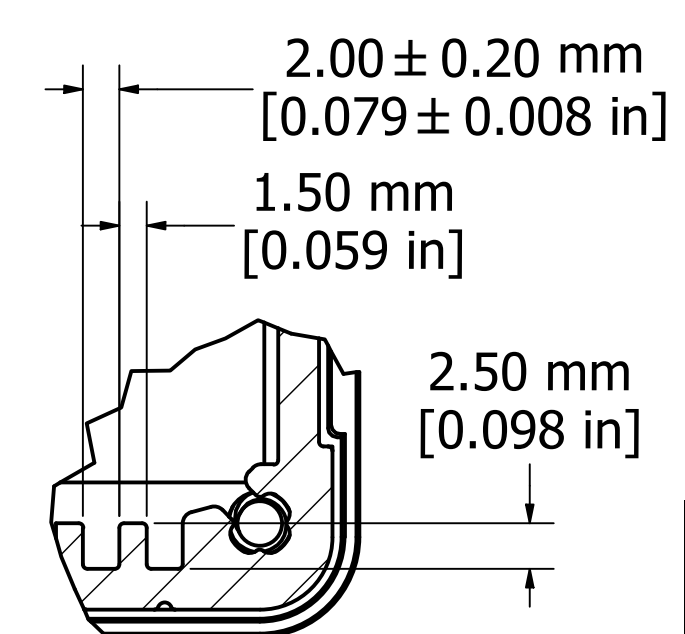


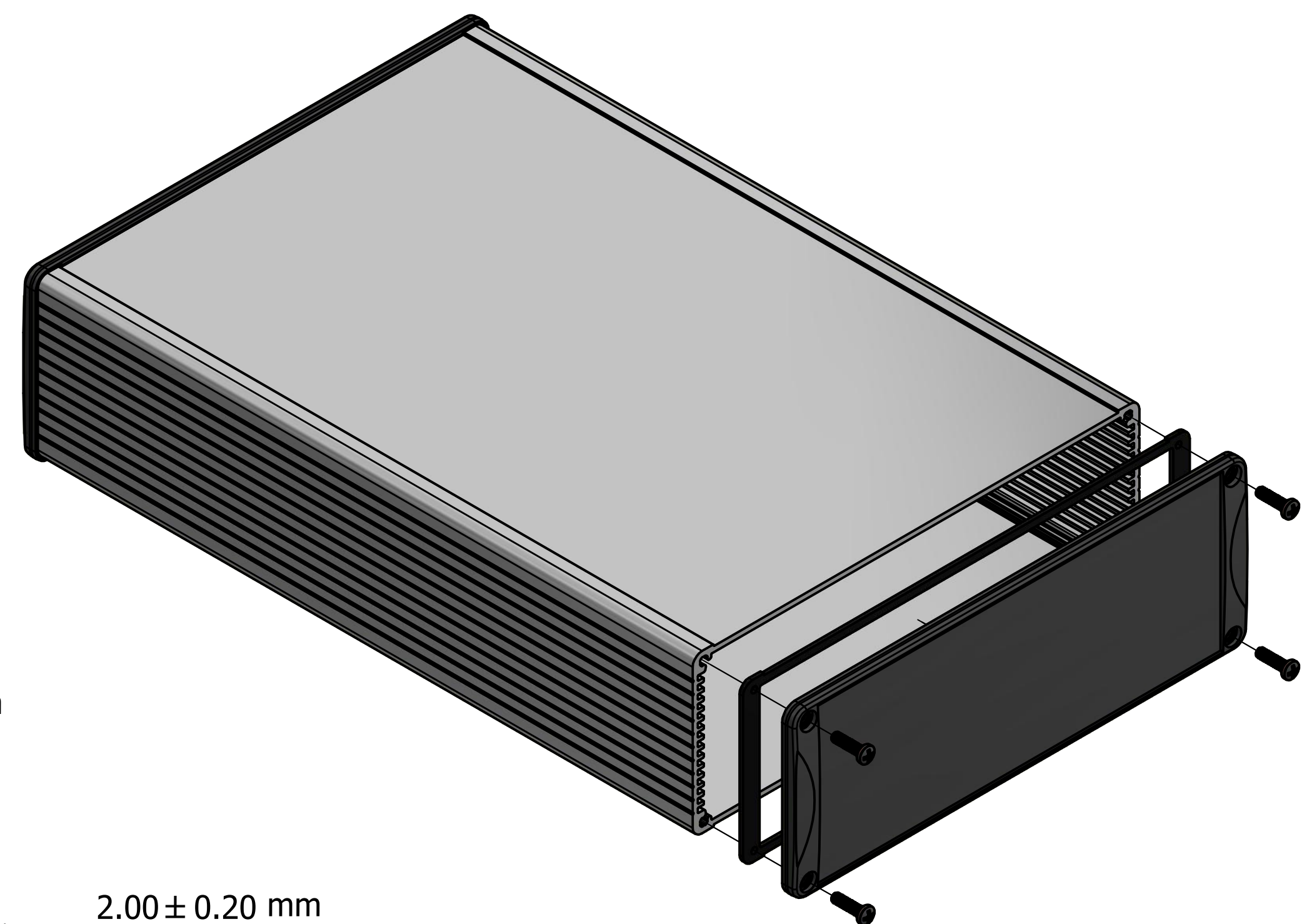
ASSEMBLY - VIEW FROM TOP



SECTION A-A



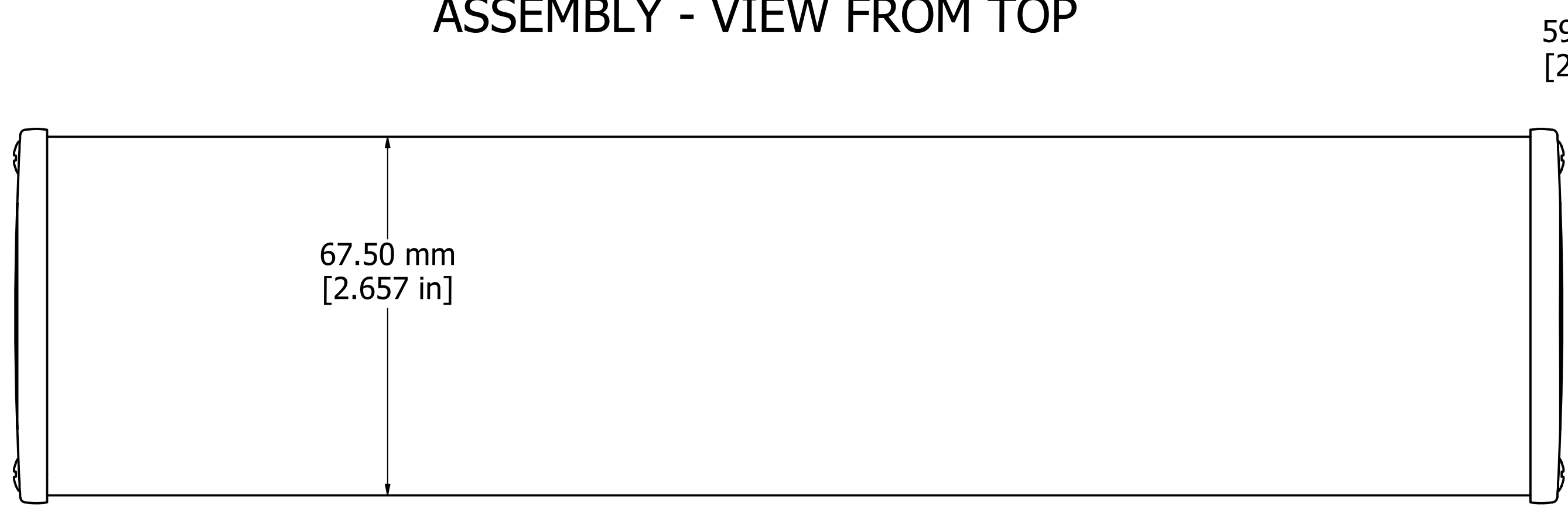
DETAIL A



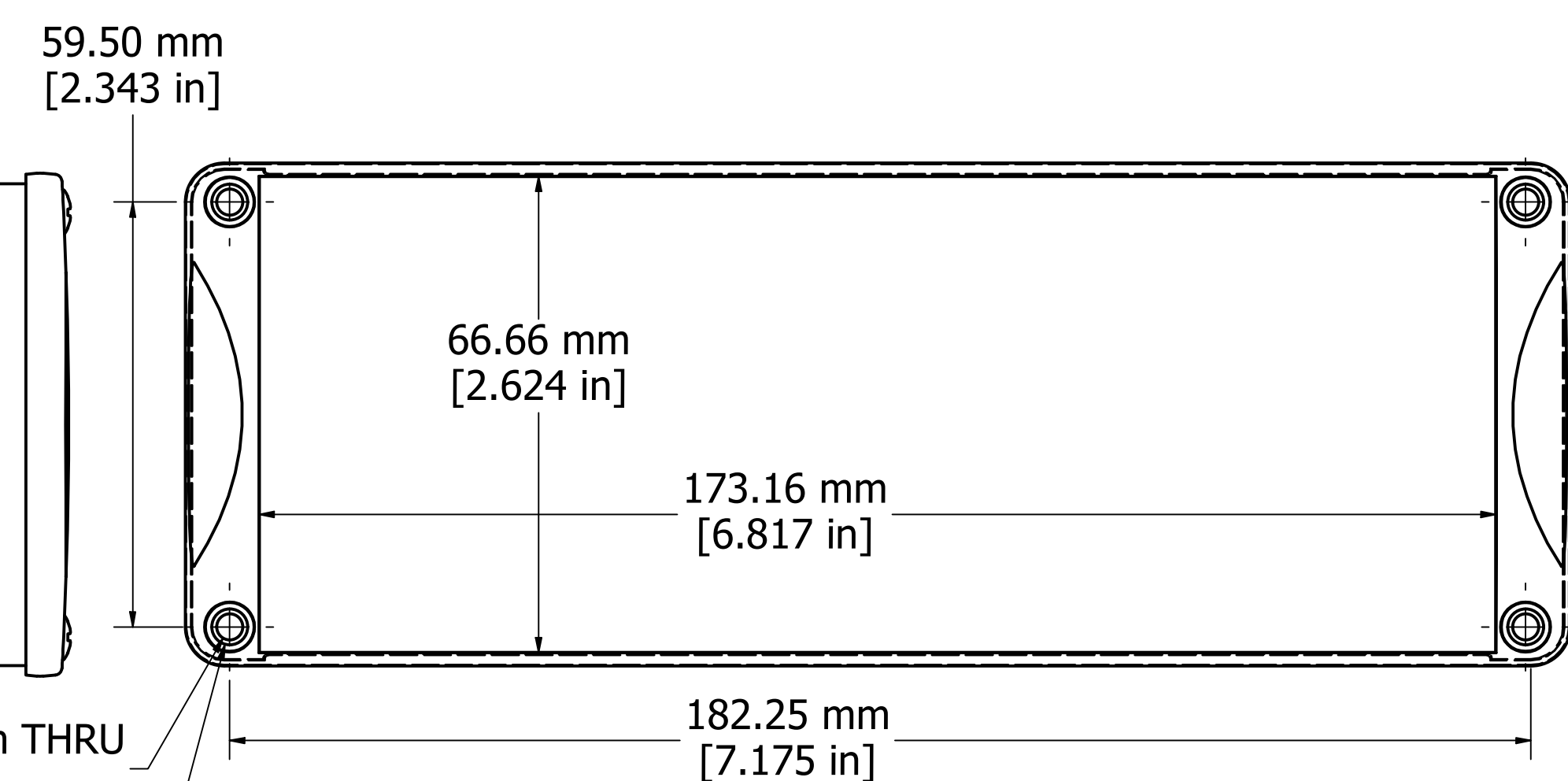
PROTECTION TO IP 65

Enclosures can be Factory Modified (Milling, Drilling, Printing etc.)
 Contact Factory mjm@hammondmfg.com for quotes
 Solid models of this enclosure available in STEP or IGES.

NOTE	
Purchased assembly includes box, end panels, stainless steel #6 Taptight screws, self adhesive rubber feet, gaskets and O-Rings.	
Box made from Extruded Aluminum 6063.	
End panels made from Type 380 Diecast Aluminum with a black powder paint finish.	
WATERPROOF 1457U2801	
PART NUMBERS	
Clear anodized box with black powder painted end panels	1457U2801
Black powder painted box and end panels	1457U2801BK
EMI/RFI SHIELDED (IP 54)	
Clear anodized box with black powder painted end panels	1457U2801E
Black powder painted box and end panels	1457U2801EBK
ACCESSORIES	
See website for accessories.	



ASSEMBLY - VIEW FROM SIDE



END PANEL - VIEW FROM OUTSIDE

4 X Ø5.00 mm ∇ 0.60 mm
 L 7.00 mm ∇ 2.50 mm

Fits 280mm (11.024") X 186mm (7.323") PCB

HAMMOND MANUFACTURING™
1457U2801
www.hammondmfg.com