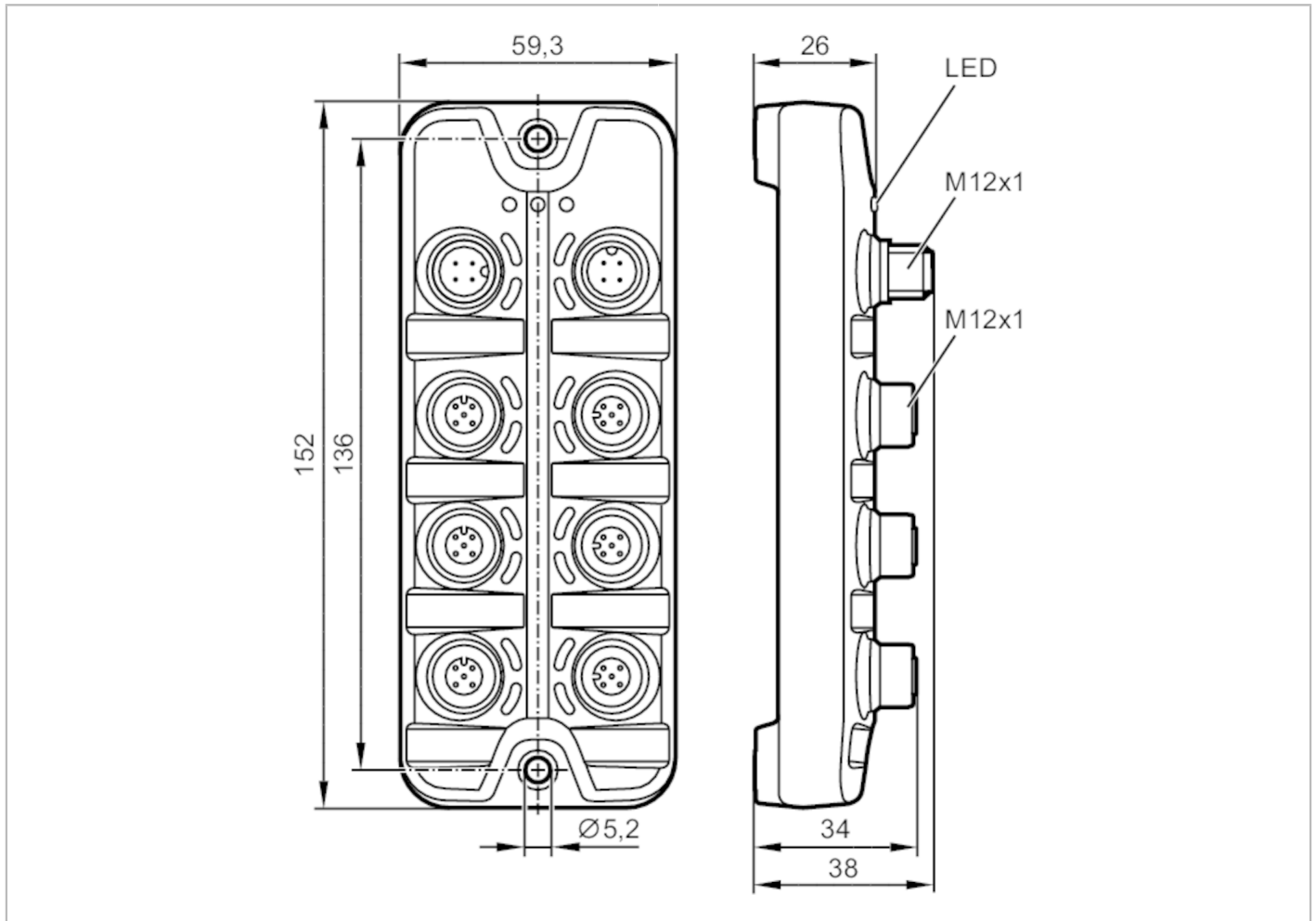


AL2230



IO-Link CompactLine module

IO-Link Module 6x2 DO M12 IP69K



Electrical data	
Operating voltage	[V] 18...30 DC; (US)
Current consumption	[mA] 50; (US)
Protection class	III
Additional voltage supply	[V] 18...28 DC; (UA)
Max. current consumption from additional supply	[mA] 3600; (UA)
Inputs / outputs	
Number of inputs and outputs	Number of digital outputs: 12
Outputs	
Number of digital outputs	12; (6 x 2)
Output function	PNP
Max. current load per output	[mA] 1800
Max. current load outputs total	[mA] 3600; (Max. current load per output side: 1800 mA)
Electrically separated	yes
Interfaces	
Communication interface	IO-Link

AL2230



IO-Link CompactLine module

IO-Link Module 6x2 DO M12 IP69K

IO-Link Device	
Transmission type	COM2 (38,4 kBaud)
IO-Link revision	1.1
SDCI standard	IEC 61131-9
IO-Link device ID	893 d / 00 03 7D h
SIO mode	no
Min. process cycle time [ms]	5.6

Operating conditions	
Ambient temperature [°C]	-25...60
Storage temperature [°C]	-25...70
Max. relative air humidity [%]	90
Max. height above sea level [m]	2000
Protection	IP 65; IP 67; IP 69K; (operation with stainless steel protective caps: IP 69K)
Degree of soiling	2

Tests / approvals	
EMC	DIN EN 61000-6-2
	DIN EN 61000-6-3
	DIN IEC 61131-9
Shock resistance	DIN EN 60068-2-27
Vibration resistance	DIN EN 60068-2-64
	DIN EN 60068-2-6

Mechanical data	
Weight [g]	314
Dimensions [mm]	26 x 59.3 x 152
Materials	housing: PA grey; socket: stainless steel (1.4404 / 316L)

Displays / operating elements		
Display	operation	LED, green
	errors	LED, red
	function	LED, yellow

Accessories	
Accessories (optional)	Protective caps M12

Remarks	
Pack quantity	1 pcs.

Electrical connection - IO-Link	
X1	
1	+ 24 V DC (US)
2	not used
3	GND (US)
4	IO-Link

Connector: M12

AL2230



IO-Link CompactLine module

IO-Link Module 6x2 DO M12 IP69K

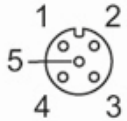


Electrical connection - Outputs

X1.0...X1.5

1	not used
2	DO2
3	GND (UA)
4	DO1
5	not used

Connector: M12



Electrical connection - voltage supply

X31

1	+ 24 V DC (UAL)
2	GND (UAR)
3	GND (UAL)
4	+ 24 V DC (UAR)

Connector: M12

