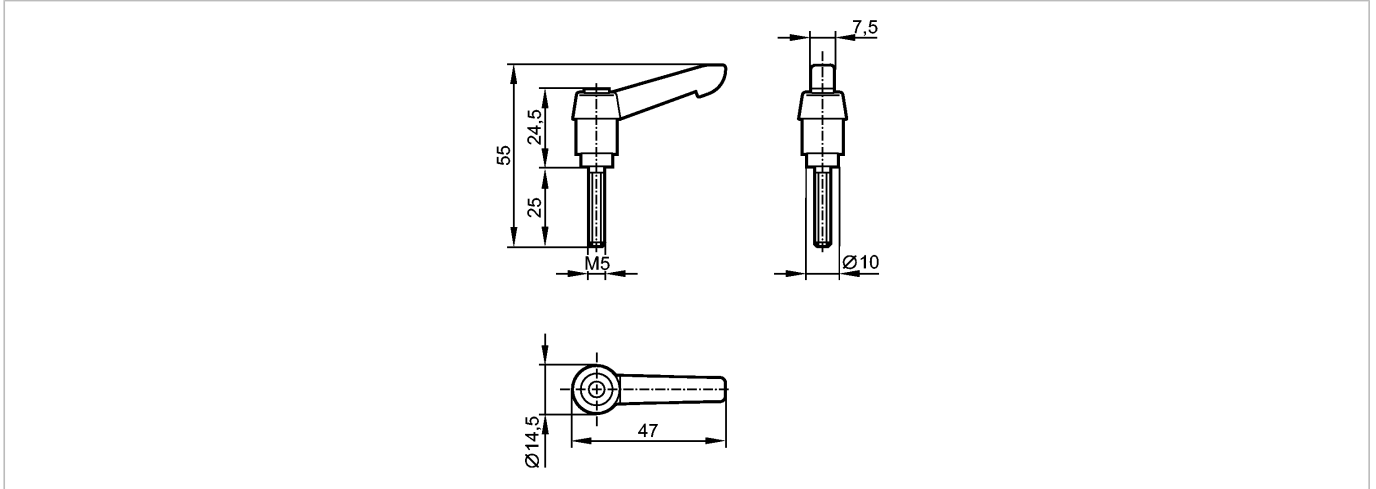


QUICK-RELEASE CLAMPS

Accessories



Product characteristics

Quick-release

Mechanical data

Design

for mounting clamps

Housing materials

lever: plastics orange; steel black

Weight [kg]

0.03

Accessories

Accessories (included)

Spacer

Remarks

Pack quantity [piece]

1