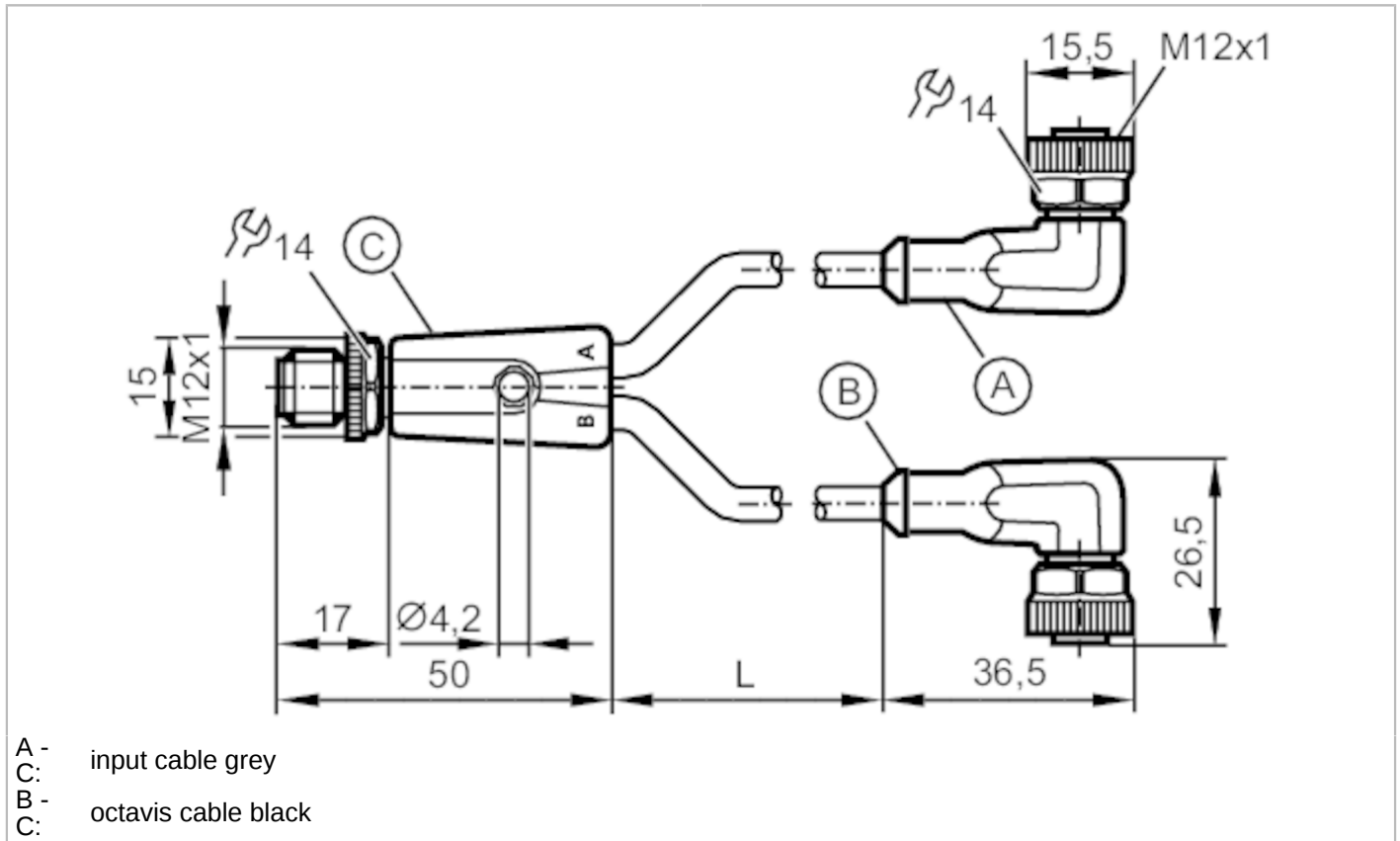


EVC503



Y connection cable

YDOAHXX0MSS0,25HXXSTGH050MSS



Application		
Special feature	Free from silicone; Halogen-free; Gold-plated contacts; Drag chain suitability	
Free from silicone	yes	
Electrical data		
Operating voltage [V]	10...30 DC	
Protection class	II	
Max. current load total [A]	3	
Operating conditions		
Ambient temperature [°C]	-25...90	
Protection	IP 65; IP 67; IP 68; IP 69K	
Mechanical data		
Weight [g]	64.7	
Materials	Connecting cable with plug: TPU orange; Connecting cable with socket: TPU orange; Sealing: FKM	
Material nut	brass, nickel-plated / brass, nickel-plated	
Number of ports splitter box	2	
Drag chain suitability	yes	
Drag chain suitability	bending radius for flexible use	min. 10 x cable diameter
	travel speed	max. 3.3 m/s for a horizontal travel length of 5 m and max. acceleration of 5 m/s ²
	bending cycles	> 2 Mio.
	torsional strain	± 180 °/m

EVC503



Y connection cable

YDOAHXX0MSS0,25HXXSTGH050MSS

Remarks

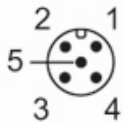
Notes	Please see the technical note under "Downloads"
Pack quantity	1 pcs.

Electrical connection

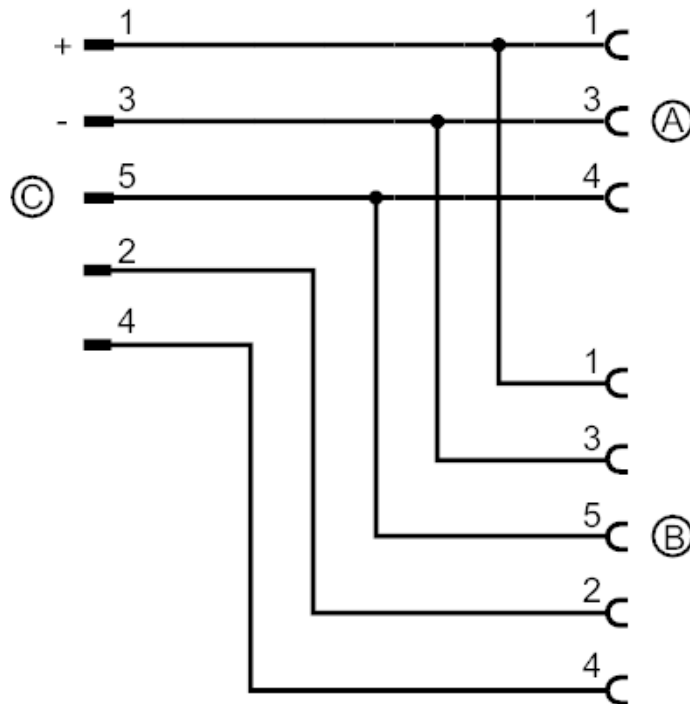
Cable: 0.25 m, PUR, Halogen-free, grey/black, Ø 4.6 mm; 5 x 0.34 mm² (42 x Ø 0.1 mm)

Electrical connection - plug

Connector: 2 x M12; Moulded body: black; Locking: brass, nickel-plated; Contacts: gold-plated; Tightening torque: 0.6...1.5 Nm



Connection



Electrical connection - socket

Connector: 2 x M12; Moulded body: black; Locking: brass, nickel-plated; Contacts: gold-plated; Tightening torque: 0.6...1.5 Nm

EVC503



Y connection cable

YDOAHXX0MSS0,25HXXSTGH050MSS

