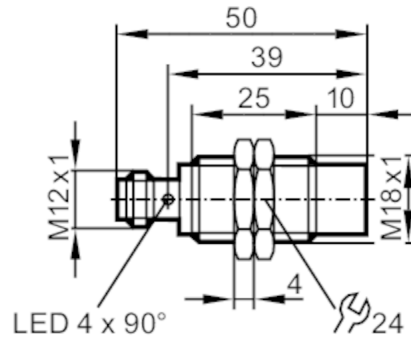




## Inductive sensor

IGB3012-BPKG/US-104



### Product characteristics

|                   |      |                  |
|-------------------|------|------------------|
| Electrical design |      | PNP              |
| Output function   |      | normally open    |
| Sensing range     | [mm] | 12               |
| Housing           |      | threaded type    |
| Dimensions        | [mm] | M18 x 1 / L = 50 |

### Application

|                 |  |   |
|-----------------|--|---|
| Special feature |  | Gold-plated contacts; Increased sensing range |
| Application     |  | Industrial applications / factory automation  |

### Electrical data

|                             |      |            |
|-----------------------------|------|------------|
| Operating voltage           | [V]  | 10...30 DC |
| Current consumption         | [mA] | < 10       |
| Protection class            |      | II         |
| Reverse polarity protection |      | yes        |

### Outputs

|   |      |               |
|---|------|---------------|
| Electrical design                               |      | PNP           |
| Output function                                 |      | normally open |
| Max. voltage drop switching output DC           | [V]  | 2.5           |
| Permanent current rating of switching output DC | [mA] | 100           |
| Switching frequency DC                          | [Hz] | 300           |
| Short-circuit protection                        |      | yes           |
| Overload protection                             |      | yes           |

### Detection zone


|                         |      |           |
|-------------------------|------|-----------|
| Sensing range           | [mm] | 12        |
| Real sensing range Sr   | [mm] | 12 ± 10 % |
| Operating distance      | [mm] | 0...9.72  |
| Increased sensing range |      | yes       |

# IGS205



## Inductive sensor

IGB3012-BPKG/US-104

| Accuracy / deviations   |   |                   |
|---|---|-------------------|
| Correction factor   | steel: 1 / stainless steel: 0.7 / brass: 0.5 / aluminium: 0.4 / copper: 0.3                                   |                   |
| Hysteresis [% of Sr]  | 3...15  |                   |
| Switch point drift [% of Sr]  | -10...10  |                   |
| Operating conditions  |   |                   |
| Ambient temperature [°C]  | -25...70  |                   |
| Protection  | IP 67   |                   |
| Tests / approvals   |   |                   |
| EMC   | EN 61000-4-2 ESD  | 4 kV CD / 8 kV AD |
|   | EN 61000-4-3 HF radiated  | 10 V/m            |
|   | EN 61000-4-4 Burst  | 2 kV              |
|   | EN 61000-4-6 HF conducted   | 10 V              |
|   | EN 55011  | class B           |
| MTTF [years]  | 1528  |                   |
| UL approval   | Ta  | 0...40 °C         |
|   | Enclosure type  | Type 1            |
|   | voltage supply  | Hazardous voltage |
|   | UL Approval no.   | A003              |
|   | File number UL  | E174191           |
| Mechanical data   |   |                   |
| Weight [g]  | 41.8  |                   |
| Housing   | threaded type   |                   |
| Mounting  | non-flush mountable   |                   |
| Dimensions [mm]   | M18 x 1 / L = 50  |                   |
| Thread designation  | M18 x 1   |                   |
| Materials   | brass white bronze coated; sensing face: PBT orange;<br>LED window: PEI; lock nuts: brass white bronze coated |                   |
| Displays / operating elements   |   |                   |
| Display   | switching status  | 4 x LED, yellow   |
| Accessories   |   |                   |
| Accessories (supplied)  | lock nuts: 2  |                   |
| Remarks   |   |                   |
| Pack quantity   | 1 pcs.  |                   |
| Electrical connection - plug  |   |                   |
| Connector: 1 x M12; Contacts: gold-plated   |   |                   |
|  |   |                   |

# IGS205



## Inductive sensor

IGB3012-BPKG/US-104

### Connection

