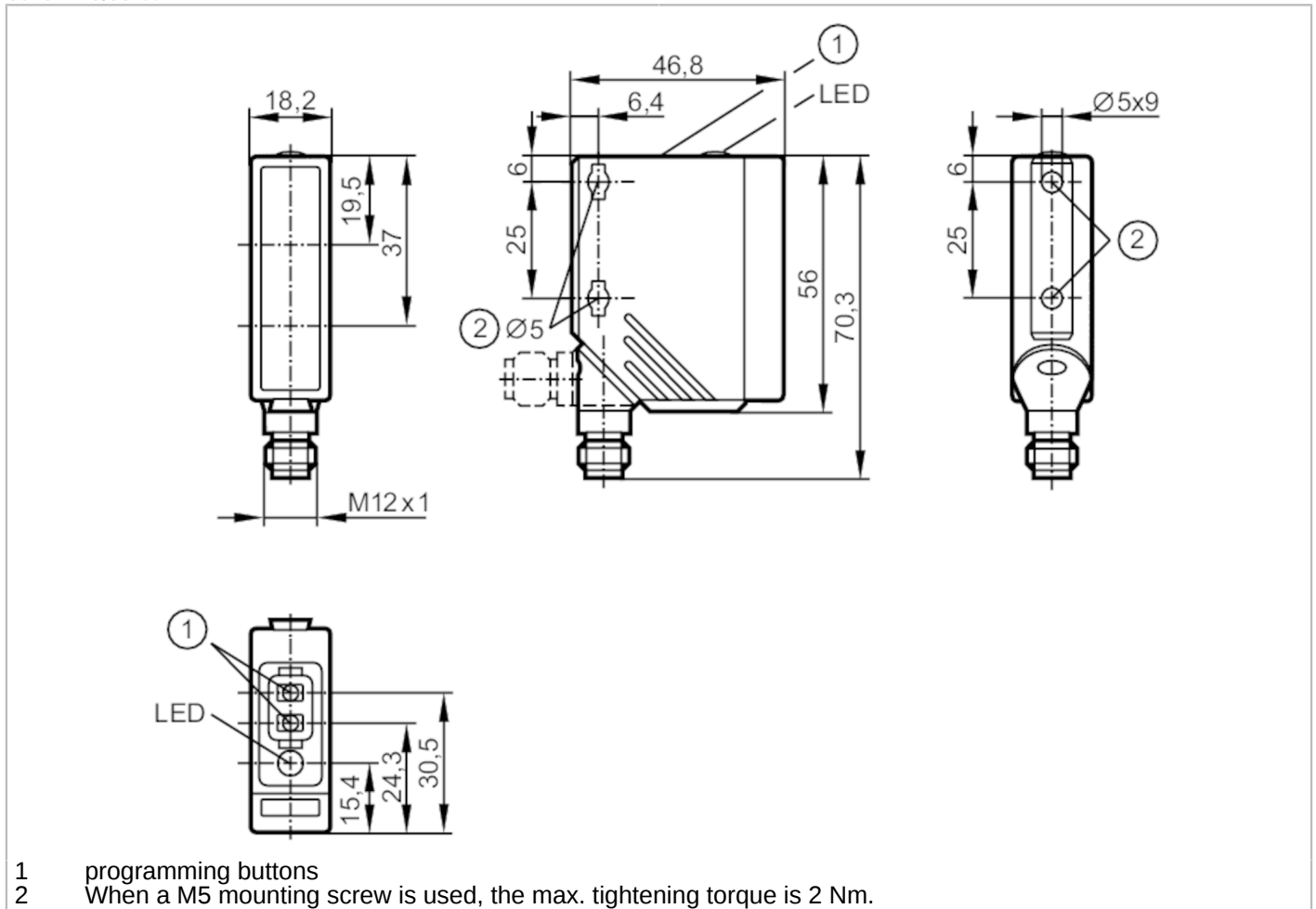


# O5G500



## Retro-reflective sensor for the detection of transparent objects

O5PGFAKG/US100



Product characteristics	
Type of light	red light
Housing	rectangular
Dimensions [mm]	56 x 18.2 x 46.8
Application	
Special feature	polarisation filter; Function check output
Function principle	Retro-reflective sensor
Electrical data	
Operating voltage [V]	10...36 DC; ("supply class 2" to cULus)
Current consumption [mA]	< 50
Protection class	II
Reverse polarity protection	yes
Type of light	red light
Wave length [nm]	624



## Retro-reflective sensor for the detection of transparent objects

O5PGFAKG/US100

Outputs		
Electrical design	PNP/NPN; (automatic load detection PNP/NPN)	
Output function	light-on/dark-on mode; (programmable)	
Max. voltage drop switching output DC [V]	2.5	
Function check output	yes	
Max. voltage drop of function check output [V]	2.5	
Max. current load for function check output [mA]	50	
Permanent current rating of switching output DC [mA]	200	
Switching frequency DC [Hz]	1500	
Short-circuit protection	yes	
Type of short-circuit protection	pulsed	
Overload protection	yes	
Detection zone		
Range referred to prismatic reflector [m]	0...3; (Prismatic reflector 100 x 100 mm E20454)	
Range adjustable	yes	
Max. light spot diameter [mm]	80	
Light spot dimensions refer to	at maximum range	
Polarisation filter available	yes	
Operating conditions		
Ambient temperature [°C]	-25...60	
Protection	IP 67	
Tests / approvals		
EMC	EN 60947-5-2	
MTTF [years]	405	
Mechanical data		
Weight [g]	72	
Housing	rectangular	
Dimensions [mm]	56 x 18.2 x 46.8	
Materials	housing: PA; bezel: stainless steel; operator interface: TPU	
Lens material	PMMA	
Lens alignment	side lens	
Displays / operating elements		
Display	switching status	1 x LED, yellow
	function	1 x LED, red
Teach function	yes	
Electronic lock	yes	
Remarks		
Pack quantity	1 pcs.	

### Electrical connection

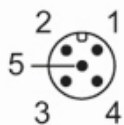
Connector: 1 x M12

# O5G500

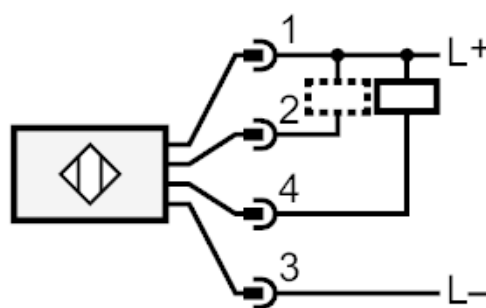
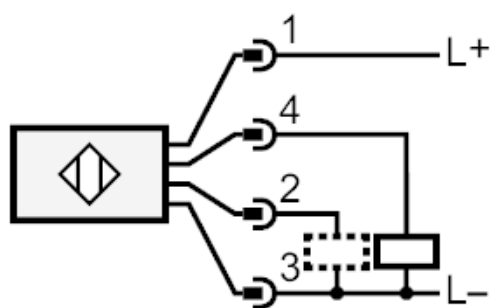


## Retro-reflective sensor for the detection of transparent objects

O5PGFAKG/US100



### Connection



- |     |                                  |
|-----|----------------------------------|
| 2   | Function check output            |
| 4   | switching output                 |
| 2+4 | automatic load detection PNP/NPN |
| 5   | n.c. = not used                  |

# O5G500



Retro-reflective sensor for the detection of transparent objects

O5PGFAKG/US100

## Diagrams and graphs

excess gain graph

