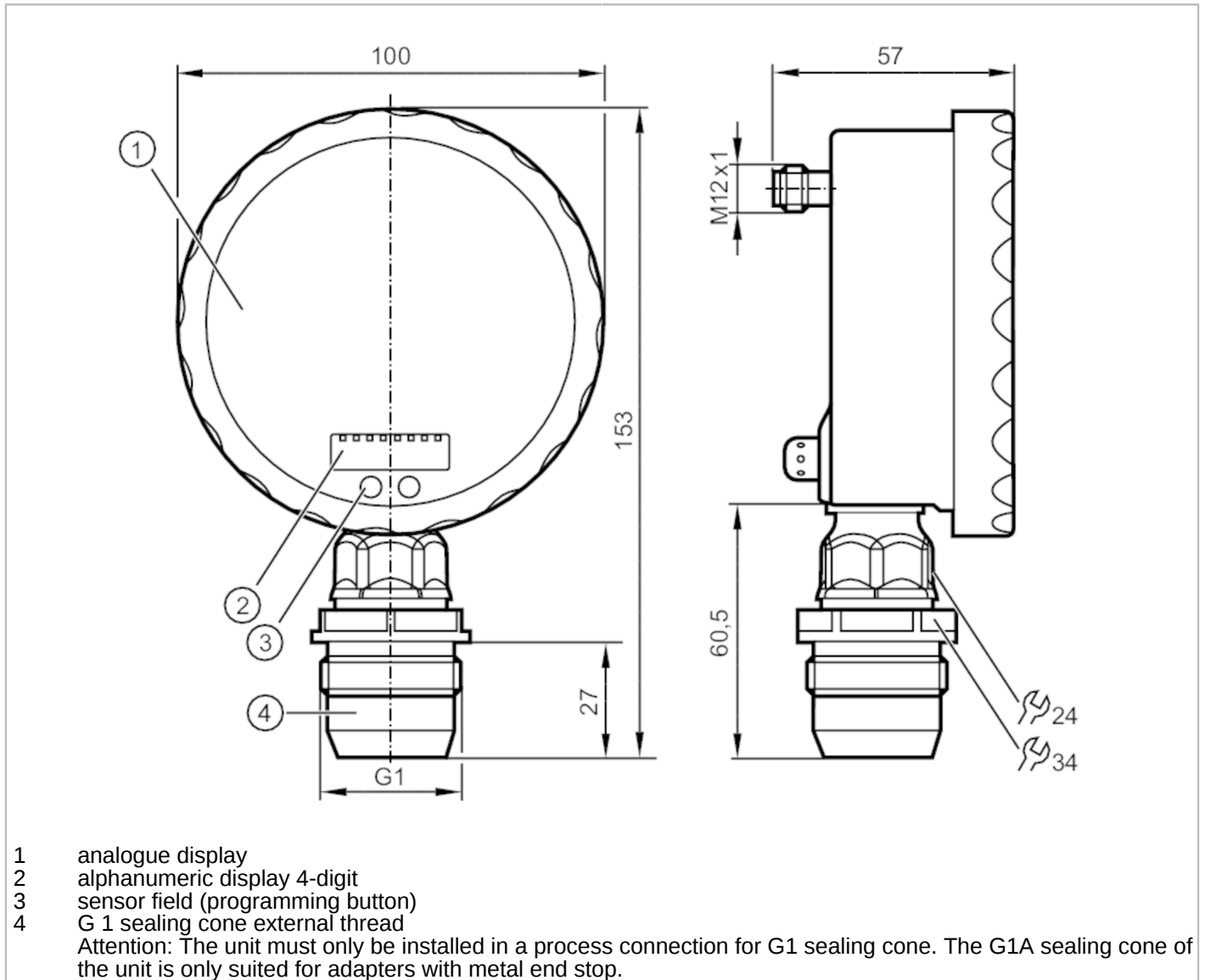


# PG2894



## Flush pressure sensor with analogue display

PG-010-REA01-MFRKG/US/ /P



ACS CE CRN EC 1935/2004 EHEDG Certified FCM

### Product characteristics

Output signal	switching signal; analogue signal; (configurable)	
Measuring range	-1...10 bar	-14.5...145 psi
Process connection	threaded connection G 1 external thread sealing cone	

### Application

Special feature	Gold-plated contacts	
Application	food and beverage industry; Safety manometer (S) based on DIN EN 837-1	
Media	viscous media and liquids with suspended particles; liquids and gases	
Medium temperature [°C]	-25...125; (145 max. 1h)	
Pressure rating	50 bar	725 psi
Min. bursting pressure	150 bar	2175 psi
Type of pressure	relative pressure; vacuum	
MAWP (for applications according to CRN) [bar]	50	



## Flush pressure sensor with analogue display

PG-010-REA01-MFRKG/US/ /P

Electrical data		
Operating voltage	[V]	18...32 DC
Current consumption	[mA]	< 70; (24 V)
Min. insulation resistance	[MΩ]	100; (500 V DC)
Protection class		III
Reverse polarity protection		yes
Power-on delay time	[s]	6
Integrated watchdog		yes
Inputs / outputs		
Number of inputs and outputs		Number of digital outputs: 1; Number of analogue outputs: 1
Outputs		
Total number of outputs		2
Output signal		switching signal; analogue signal; (configurable)
Electrical design		PNP/NPN
Number of digital outputs		1
Output function		normally open / normally closed; (parameterisable)
Max. voltage drop switching output DC	[V]	2
Permanent current rating of switching output DC	[mA]	250
Switching frequency DC	[Hz]	50
Number of analogue outputs		1
Analogue current output	[mA]	4...20, invertible; (scalable)
Max. load	[Ω]	(U <sub>b</sub> - 10 V) / 20 mA
Short-circuit protection		yes
Type of short-circuit protection		pulsed
Overload protection		yes
Measuring/setting range		
Measuring range		-1...10 bar      -14.5...145 psi
Set point SP		-0.98...16 bar      -14.2...232 psi
Reset point rP		-1...15.98 bar      -14.5...231.8 psi
Analogue start point		-1...13.5 bar      -14.5...195.7 psi
Analogue end point	[bar]	1.5...16
In steps of		0.01 bar      0.1 psi
Accuracy / deviations		
Switch point accuracy	[% of the span]	< ± 0,2; (Turn down 1:1)
Repeatability	[% of the span]	< ± 0,1; (with temperature fluctuations < 10 K; Turn down 1:1)
Characteristics deviation	[% of the span]	< ± 0,2; (Turn down 1:1 linearity, incl. hysteresis and repeatability limit value setting to DIN 16086)
Linearity deviation	[% of the span]	< ± 0,15; (Turn down 1:1)
Hysteresis deviation	[% of the span]	< ± 0,15; (Turn down 1:1)
Long-term stability		< ± 0,1; (Turn down 1:1; per year)

# PG2894



## Flush pressure sensor with analogue display

PG-010-REA01-MFRKG/US/ /P

	[% of the span]	
Temperature coefficient zero point	[% of the span / 10 K]	< ± 0,05; (0...70 °C)
Temperature coefficient span	[% of the span / 10 K]	< ± 0,15; (0...70 °C)

### Response times

Response time	[ms]	< 10
Damping for the switching output dAP	[s]	0.01...30
Damping for the analogue output dAA	[s]	0.01...30
Step response time analogue output	[ms]	25

### Operating conditions

Ambient temperature	[°C]	-25...80
Storage temperature	[°C]	-40...100
Protection		IP 67; IP 69K

### Tests / approvals

EMC	EN 61000-4-2 ESD	4 kV CD / 8 kV AD
	EN 61000-4-3 HF radiated	10 V/m
	EN 61000-4-4 Burst	2 kV
	EN 61000-4-5 Surge	0,5/1 kV
	EN 61000-4-6 HF conducted	10 V
Shock resistance	DIN IEC 68-2-27	50 g (11 ms)
Vibration resistance	DIN IEC 68-2-6	20 g (10...2000 Hz)
MTTF	[years]	100
Note on approval		factory certificate available as download at <a href="http://www.factory-certificate.ifm">www.factory-certificate.ifm</a>

### Mechanical data

Weight	[g]	564
Materials		stainless steel (1.4404 / 316L); PA; FKM; PTFE; viewing glass: laminated safety glass 4 mm
Materials (wetted parts)		ceramics (99.9 % Al <sub>2</sub> O <sub>3</sub> ); PTFE; stainless steel (1.4435 / 316L); surface characteristics: Ra < 0,4 / Rz 4
Min. pressure cycles		100 million
Process connection		threaded connection G 1 external thread sealing cone

### Displays / operating elements

Display	Display unit	2 x LED, green
	switching status	LED, yellow
	switch points	LED ring, red
	function display	alphanumeric display, red 4-digit
	measured values	analogue display, 0...350° rotatable, pointer not visible when unit disconnected
	measured values	alphanumeric display, red 4-digit
With scale		yes
Extended display range (max.)	16 bar	232 psi

# PG2894



## Flush pressure sensor with analogue display

PG-010-REA01-MFRKG/US/ /P

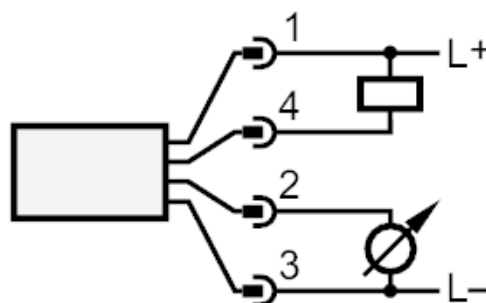
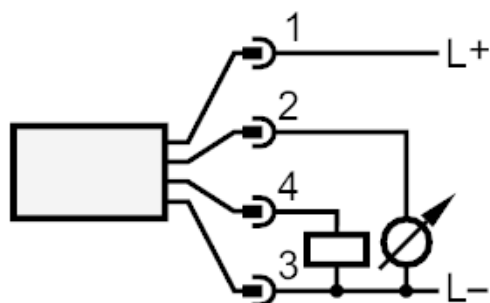
Remarks	
Remarks	Attention: The unit must only be installed in a process connection for G1 sealing cone. The G1A sealing cone of the unit is only suited for adapters with metal end stop. characteristics deviation in the extended display range: 1.5 % of the span switch point accuracy in the extended display range: 1.5 % of the span
Pack quantity	1 pcs.

### Electrical connection

Connector: 1 x M12; Contacts: gold-plated



### Connection



- OUT1            switching output
- OUT2            analogue output