

CUBE67 I/O COMPACT MODULE

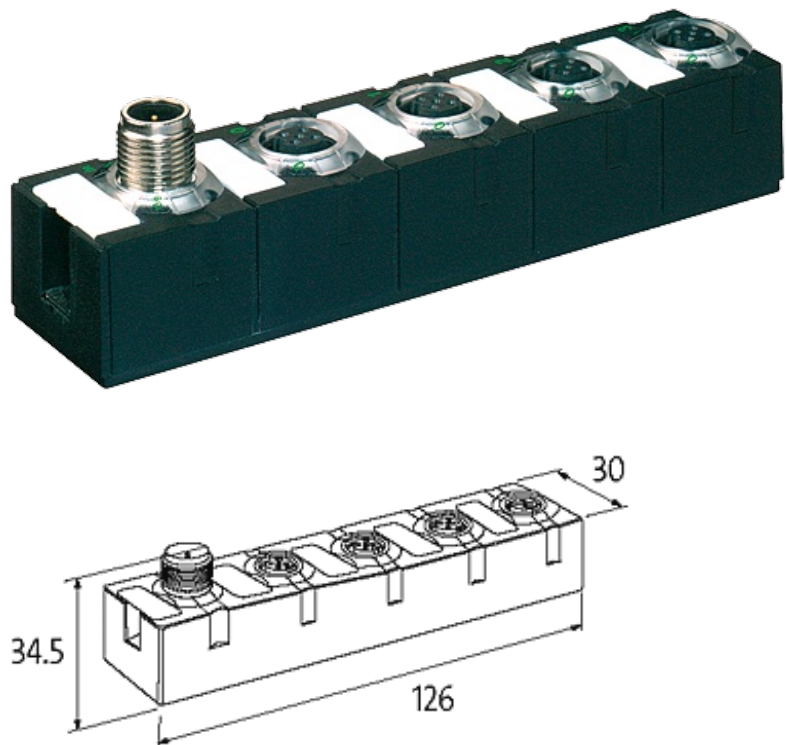
8 digital inputs

Compact module
DI8 (C) 4×M12

Housing fully potted. For connection cables please see chapter "Connection Technology"

[Link to Product](#)

Illustration



Product may differ from Image

Approvals



Input

Sensor supply US	24 V DC (EN 61131-2), max. 200 mA (M12 female), short-circuit and overload protected
Type	for 3-wire sensors or mechanical switches, PNP, (EN 61131-2)
Input filter	1 ms

Internal communication

Current consumption	max. 50 mA
LED display	US: sensor supply and internal supply voltage (green: OK); UA: actuator supply (green: OK)
Terminating resistor	integrated into the module
Connections	
Fieldbus	via internal system connection
Sensor-system/actuator supply	via internal system connection (max. 2×4 A)
I/O ports	M12 (male) 5-pole, A-coded
General data	
Protection	IP67
Mounting method	2-hole screw mounting
Temperature range	0...+55 °C (storage temperature -20...+75 °C)
Dimensions H × W × D	126×30×34.5 mm
Parameterization	
PIN 2	Input/diagnostic
PIN 4	Input
Diagnostic	
Communication status	via LED
Diagnostic via LED	per module and channel
Diagnostic via BUS	per module and channel
Monitoring - under voltage	yes
Monitoring - no voltage	yes
Short circuit and overload	yes
Commercial data	
country of origin	DE
customs tariff number	85176200
minimum order quantity	1