



Model Number

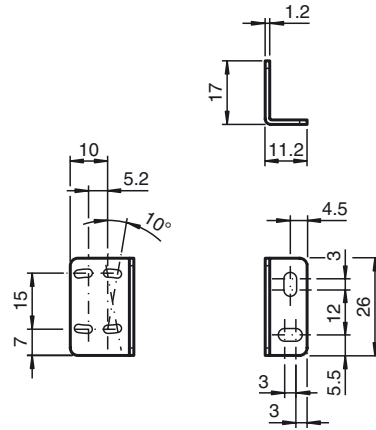
MH-R2-03

Bracket for mounting R2 series sensors

Features

- Mounting bracket
- For rear mounting
- Simple and fast mounting

Dimensions



Technical data

Mechanical specifications

Material	Stainless steel
Mass	approx. 15 g
Mounting	Fixing screws , 2 x M2 allen head screws included with delivery

General information

Scope of delivery	Mounting bracket , Fixing screws , SW1.5 Allen wrench
-------------------	---

Suitable series

Series	OB*-R2
--------	--------