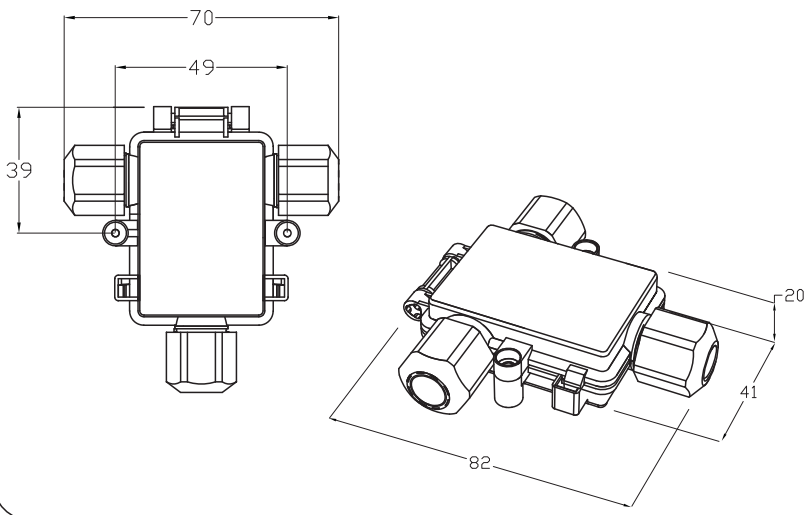


TH200

PATENTED IP67



Scatola di protezione IP67 per morsettiere speciali Techno a 3, 5, 3+3 poli, morsettiere standard passo 8-10, circuiti stampati ecc... Cerniera ultra resistente.

IP67 rates protective box for special 3, 5, 3+3 poles Techno terminal blocks, standard terminal blocks (pitch 8-10), printed circuits... Extra strong hinge.

Dati tecnici - Technical data

Min-Max \varnothing cavo - cable **4÷9,5mm**

TEST REPORT
HEATING RESISTANCE **T85-16 A-1,5°**

Dadi foro
Nut hole \varnothing **9,5** **7÷9,5mm**

Dadi foro
Nut hole \varnothing **7,5** **4÷7mm**

Consigliato per \varnothing cavi
Suggested for \varnothing cable

Materie prime - Raw materials

Materia plastica - Plastics

PA66 UL94 V2 GWT 850°C

Grigio - Grey RAL 7035

-20°C

Nero - Black

+125°C

Gomme - Rubbers

SEBS - TPE V

Norme - Standards

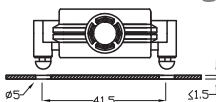
TEST REPORT
EN 60529:1991+A1:2000
IP67: 1MT-PROOF; 30MIN



Codice - Part number

T H A . 2 0 0 . C 2 X

Sistema di fissaggio SNAP IN - SNAP IN fixing system

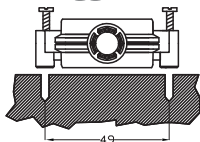


THA.200.F2E Nero - Black

THA.200.F2G Grigio - Grey

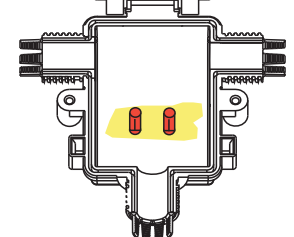


Fissaggio con viti - Screws version fixing

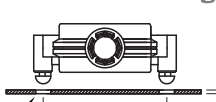


THA.200.E2E Nero - Black

THA.200.E2G Grigio - Grey



Sistema di fissaggio SNAP IN - SNAP IN fixing system

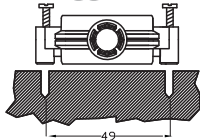


THA.200.F2F Nero - Black

THA.200.F2H Grigio - Grey

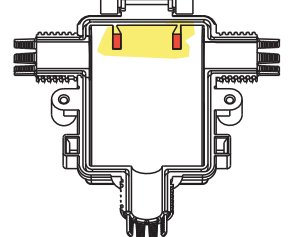


Fissaggio con viti - Screws version fixing

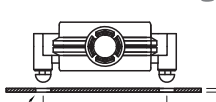


THA.200.E2F Nero - Black

THA.200.E2H Grigio - Grey

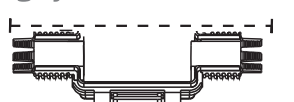


Sistema di fissaggio SNAP IN - SNAP IN fixing system

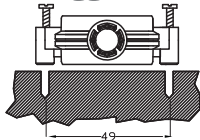


THA.200.F20 Nero - Black

THA.200.F2L Grigio - Grey

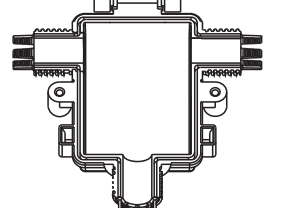


Fissaggio con viti - Screws version fixing



THA.200.E2P Nero - Black

THA.200.E2M Grigio - Grey





Accessori - Accessories



601000500 Vite - Screw
Ø 2,9x25 mm



604000100
Ø 4x20 mm



6000021EF Gommino rosso Red Seal

**SOLO IP54
IP54 ONLY**



6002002CC Nero - Black

6002002CE Grigio - Grey 7035

Foro - Hole Ø 7,5



6000115KC Nero - Black

6000115CE Grigio - Grey 7035

Foro - Hole Ø 7,5

Riduzione per dado consigliata per cavi silicone - Adapter nut suggested for silicon cable



6000041LF
Foro - Hole Ø 7,5



6000042LF
Foro - Hole Ø 6



6000040LF
Foro cieco - Blind hole

**SOLO IP67 - scelta dei gommini
seals choice - IP67 ONLY**



6000086MH Green Seal
WIRE RANGE

Foro - Hole Ø 3,5
Ø 4+6mm



6000085MM Blu Seal
WIRE RANGE

Foro - Hole Ø 5,5
Ø 6+7,5mm



6000084MG Yellow Seal
WIRE RANGE

Foro - Hole Ø 7,5
Ø 7.5+9,5mm



6000091MA White Seal

Foro Cieco - Blind Hole



6000114MA White Seal

2 Fori - 2 Holes Ø 2



6000089MA White Seal

2 Fori - 2 Holes Ø 3,5



6000090MA White Seal

1 Foro - 1 Hole Ø 2



6000106MA White Seal

3 Fori - 3 Holes Ø 3,5



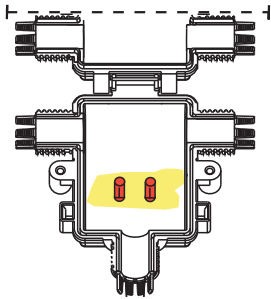
6000113MA White Seal

4 Fori - 4 Holes Ø 2

Tutti i tipi di morsetti passo 8/10 std

All kind terminal std blocks

Applicazioni - Applications



THB.026.XXX

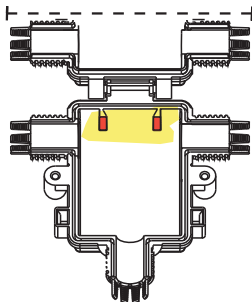


IP54



IP67

Applicazioni - Applications



THB.029.A1A

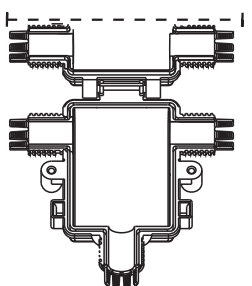


IP54

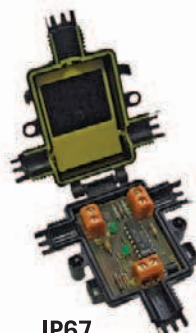


IP67

Applicazioni - Applications



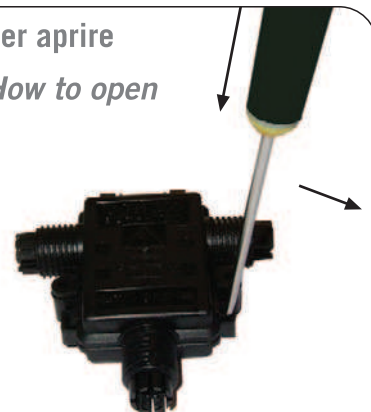
IP54



IP67

Per aprire

How to open



Tee BOX

SOLO IP54 - IP54 ONLY

Versione trasparente per segnali LED - Transparent version for LED signal



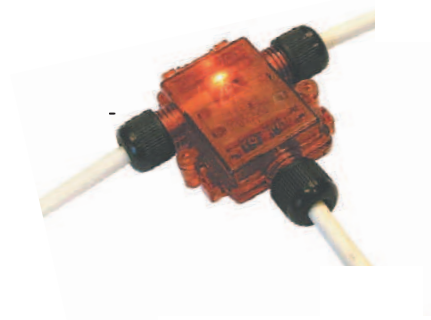
Senza uscite
Without exit



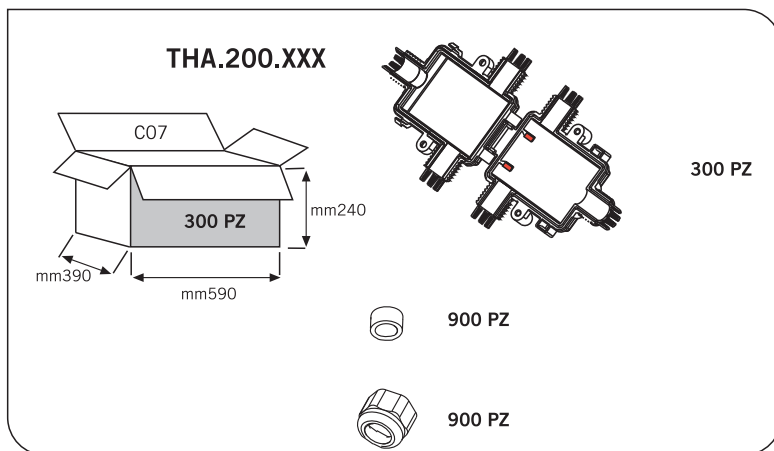
Per alte temperature
200 °C
For high temperature



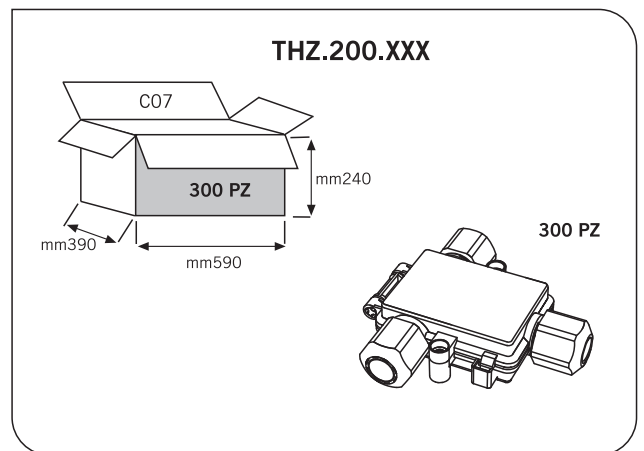
Con un'uscita
With one exit



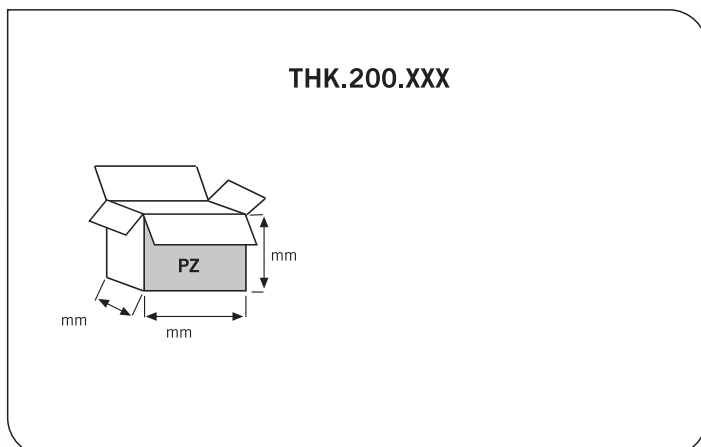
Kit di fornitura non assemblato THA Unassembled kit THA



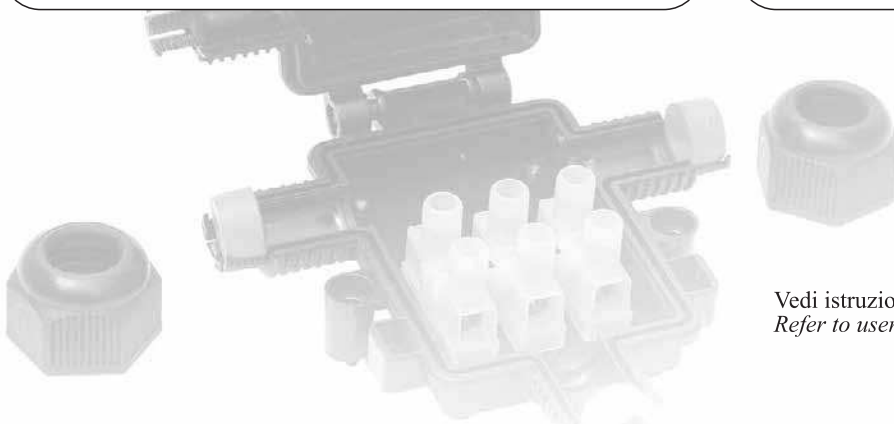
Kit di fornitura assemblato THZ Assembled kit THZ



Kit di fornitura con versionamenti e confezionamenti speciali THK Special custom packed version THK



Kit di fornitura imbustati THR Fare riferimento a catalogo THR Retail packed kit THR Please refer to THR Retail Catalogue



Vedi istruzioni di assemblaggio
Refer to user instructions



ABOUT US

Hylec-APL is a well established Component Distributor specialising in the bulk supply of Terminal Blocks, Connectors and Cable Glands to major OEM's, Sub-Contractor Manufacturers and leading Distribution organisations into both the Electromechanical and the Electronics sectors.

Hylec APL can provide a wide range of product options and application solutions including access to many thousands of line items from its extensive and largely exclusive supplier base. Hylec APL maintains a large UK stock profile at its base in Northants, which is geared to reflect popular market demand whilst offering enhanced product availability to its many customers.

In addition to its core product lines of Terminal Blocks and Connectors – both Electromechanical and Electronic variants - Cable Glands and Cable entry components, Hylec APL has recently extended its range to include LED's, Switches, Buzzers, Relays, Fuses and DIN Rail Mounting Enclosures. This evolutionary development is designed to not only widen market appeal but also to provide the customer with greater choice, the potential for supplier consolidation and the commercial benefits of economies of scale.

Subject to availability, delivery methods include next day carrier as standard and customer specific options, such as special packaging requirements, can be readily considered.

Product choice is supported by a wealth of product knowledge and application experience, and our technical sales team will be only too pleased to assist in the process of correct product selection.

The vast majority of products hold recognised Industrial Safety Approvals and these together with samples can be supplied upon request.

Value for money consistent with the supply of the highest possible quality of products and service is our number one priority.



APL

Hylec Components Ltd - Andromeda Products Ltd

T: +44 (0)1933 234400 ■ F: +44 (0)1933 234411
E: sales@hylec-apl.com ■ W: www.hylec-apl.com



MAKING THE RIGHT CONNECTIONS