

# Fan tray



**General remarks:** Fan tray designed for use in 19" rack applications, incorporating standard design AC Shaded pole compact fans. Impedance protection against overloading. Fan tray manufactured from anti-corrosion finish sheet steel, metal fan housing and impeller.

Nominal data	Total fan capacity	Free air capacity	Free air capacity	Power consumption	Tray acoustic performance	Lead	IEC Plug	Switch	Description
	m <sup>3</sup> /h	m <sup>3</sup> /h	l/s	W	dB(A)				
FT300XL30-01	480	395	110	59	54.3	X	-	-	230V 50Hz 3-fan tray
FT300SL30-01	480	395	110	59	54.3	X	-	X	230V 50Hz 3-fan tray
FT300SP30-01	480	395	110	59	54.3	-	X	X	230V 50Hz 3-fan tray
FT600XL30-01	960	785	220	119	56.8	X	-	-	230V 50Hz 6-fan tray
FT600SL30-01	960	785	220	119	56.8	X	-	X	230V 50Hz 6-fan tray
FT600SP30-01	960	785	220	119	56.8	-	X	X	230V 50Hz 6-fan tray
FT900XL30-01	1440	1180	330	179	58.0	X	-	-	230V 50Hz 9-fan tray
FT900SL30-01	1440	1180	330	179	58.0	X	-	X	230V 50Hz 9-fan tray
FT900SP30-01	1440	1180	330	179	58.0	-	X	X	230V 50Hz 9-fan tray

subject to alterations

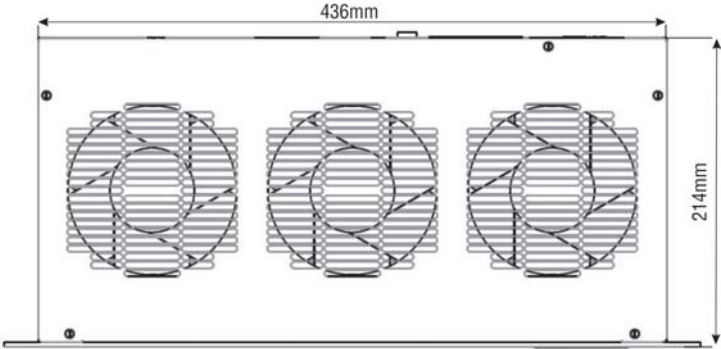
Just some of the options available:

- Any fan available on request
- DC Options available
- Customised front panel
- Standby switch
- Lead out
- IEC plug
- Air filter
- Temperature sensor
- Speed monitor
- Speed control
- Painted

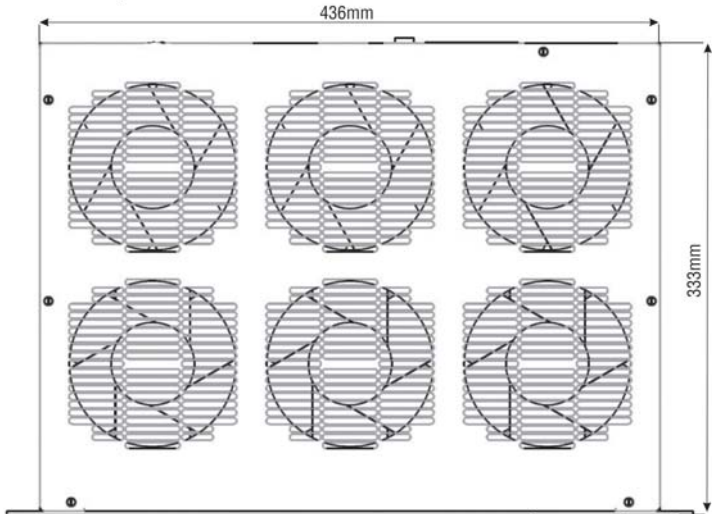
# Fan tray



3 fan tray



6 fan tray



9 fan tray

