

MFFA

4-terminal SMD current sensing resistor-metal strip



Applications

- Switched-mode power supply (SMPS)
- Voltage regulator module
- Power management
- Stepper motor drives

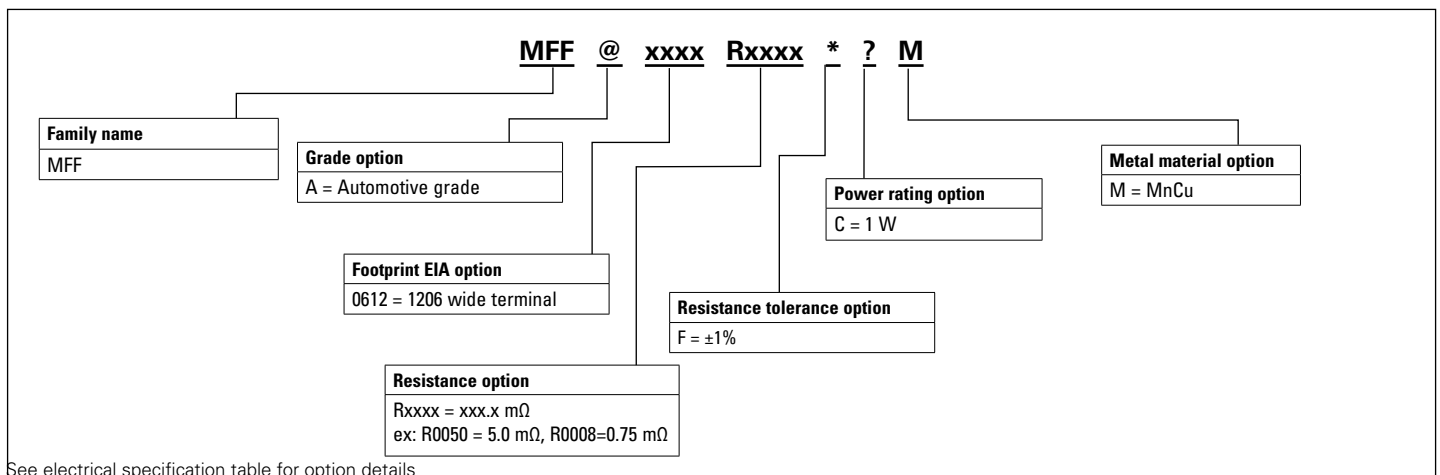
Environmental compliance



Product features

- Low sensing resistance
- Four-terminal design
- 0612 (1630 metric) package
- High power dissipation
- AEC-Q200 compliant
- Moisture sensitivity level (MSL): 1

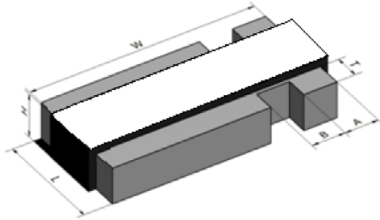
Table 1. Part numbering configuration scheme



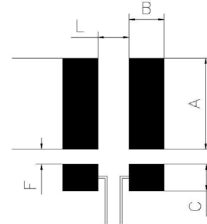
Powering Business Worldwide

Mechanical parameters- Inches [mm]

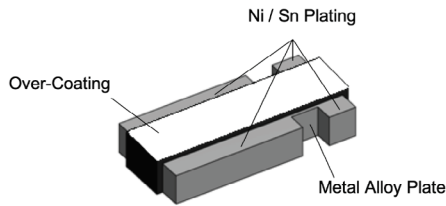
Family	Size code	L	W	H	T	A	B
MFFA0612	0612 [1630]	0.065 ± 0.008 [1.65 ± 0.20]	0.120 ± 0.010 [3.05 ± 0.25]	0.026 ± 0.008 [0.65 ± 0.20]	0.016 ± 0.010 [0.40 ± 0.25]	0.020 ± 0.005 [0.51 ± 0.13]	0.020 ± 0.005 [0.51 ± 0.13]



Recommended pad layout



Construction



Family	Resistance (mΩ)	A	B	C	L	F
MFFA0612	0.5 ≤ R ≤ 5	2.3	1.0	0.8	0.7	0.4

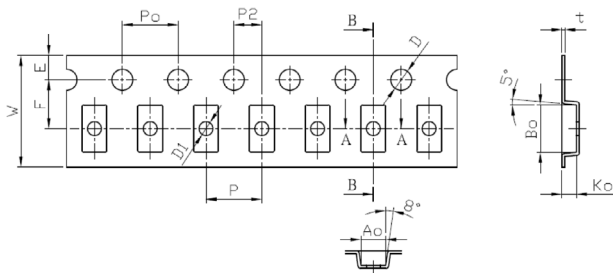
1. The copper foil minimum thickness of PCB is 3 oz.
2. PCB Dimension tolerance is +/-0.1 mm.
3. The resistance will change slightly after soldered; it is depending on PCB pad size deign and it's necessary to consider the effect of the resistance increase or decrease.

Packaging information- mm

Supplied in tape and reel on a 7.0" diameter reel (EIA-481 compliant)

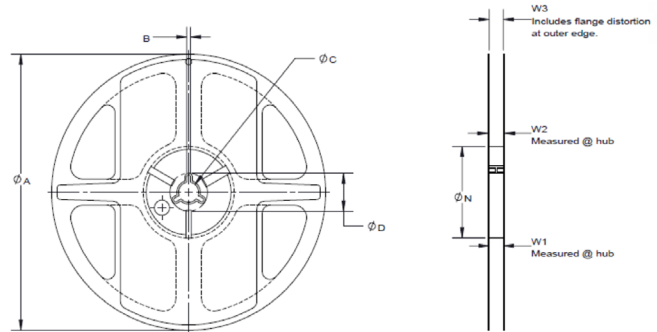
Size	Tape	Quantity
0612	7 inch embossed	4K

Tape carrier and dimensions



Dimension	millimeter
E1	1.75 ± 0.1
F	3.5 ± 0.05
P2	2.0 ± 0.1
D0	1.50 ± 0.1
P0	4.0 ± 0.1
W	8.0 ± 0.1
P1	4.0 ± 0.1
A0	1.77 ± 0.1
B0	3.4 ± 0.1
K0	1.04 ± 0.1
T	0.22 ± 0.05

Reel dimensions



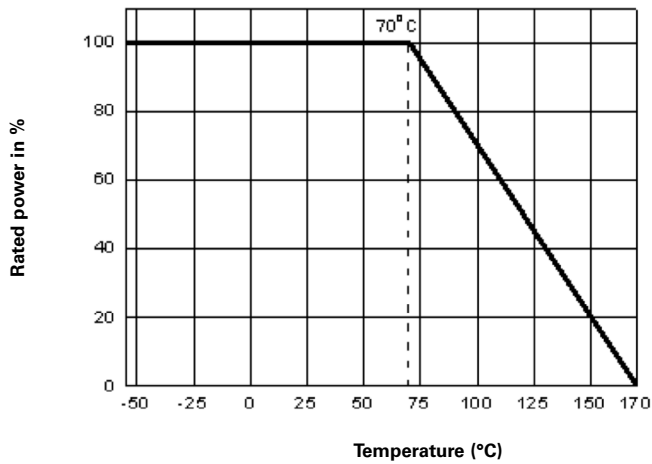
Dimension	millimeter
A	178 ± 2.0
B	3.5 ± 0.5
C	13 ± 1.0
D	na
N	60 ± 1.0
W1	9 ± 1.0
W2	11.5 ± 1.0
W3	na

Electrical specifications

Part number	Size	Grade option	Resistance value mΩ (Part number code)	Resistance tolerance (Part number code)	Power rating (Part number code)	TCR (ppm/°C)	Operating temperature
MFF@0612Rxxxx*?M	0612 (1630 metric)	A	0.5 (0005)	±1% (F)	1 W (C)	± 200	-55 °C to +170 °C
MFF@0612Rxxxx*?M	0612 (1630 metric)	A	0.75 (0008)	±1% (F)	1 W (C)	± 200	-55 °C to +170 °C
MFF@0612Rxxxx*?M	0612 (1630 metric)	A	1 (0010)	±1% (F)	1 W (C)	± 200	-55 °C to +170 °C
MFF@0612Rxxxx*?M	0612 (1630 metric)	A	1.5 (0015)	±1% (F)	1 W (C)	± 200	-55 °C to +170 °C
MFF@0612Rxxxx*?M	0612 (1630 metric)	A	2 (0020)	±1% (F)	1 W (C)	± 200	-55 °C to +170 °C
MFF@0612Rxxxx*?M	0612 (1630 metric)	A	3 (0030)	±1% (F)	1 W (C)	± 150	-55 °C to +170 °C
MFF@0612Rxxxx*?M	0612 (1630 metric)	A	5 (0050)	±1% (F)	1 W (C)	± 150	-55 °C to +170 °C

@= Enter grade option from table above (A=Automotive)
 Rxxxx = Enter resistance code option from table above R= resistance, xxxx= resistance code (xxx.x mΩ ex: R0050 = 5.0 mΩ, 0008=0.75 mΩ)
 *= Enter resistance tolerance code from table above (F= ±1%)
 ?= Enter power rating code from table above (C= 1 W)
 M=MnCu (Metal material)

Temperature derating curve



Rated current & voltage

The rated Current and Voltage are calculated by the following formula:

$$I = \sqrt{P \div R}$$

$$V = \sqrt{P \times R}$$

I: Rated current (A)

V: Rated voltage (V)

P: Rated power (W)

R: Resistance value (Ω)

General specifications

Insulation resistance: > 100 MΩ

Temperature coefficient of resistance: IEC60115-1 4.8, +25 °C to +125 °C

Short time overload: IEC60115-1 4.13, 5 X rated power for 5 s

High temperature exposure (storage): AEC-Q200-REV D-test 3, MIL-STD202 Method 108, 1000 hours. @ +170 °C.

Temperature cycling: AEC-Q200-REV D-Test 4, JESD22 Method JA-104, 1000 cycles (-55 °C to +125 °C), 30 minute maximum dwell time at each temperature extreme. 1 minute maximum transition time.

Moisture resistance: AEC-Q200-REV D-Test 6 , MIL-STD-202 method 106, 24 hours per cycle, 10 cycles, Notes: Steps 7a& 7b not required. Unpowered

Biased humidity: AEC-Q200-REV D-Test 7, MIL-STD-202 method 103, 1000 hours +85 °C/85% RH. Note: Specified conditions: 10% of operating power (not exceeding max working voltage).

Operational life: AEC-Q200-REV D-Test 8, MIL-STD-202 method 108, 1000 hours, +125 °C at rated derating power.

Resistance to solvents: AEC-Q200-REV D-Test 12, MIL-STD-202 method 215, a: Isopropyl alcohol : mineral spirits= 1 : 3, b: Terpene defluxer (Bioact EC-7R) c: Deionized water : Propylene glycol Monomethyl ether : monoethanolamine = 42 : 1

Mechanical shock: AEC-Q200-REV D-Test 13, MIL-STD-202 Method 213, half sine shock pulse, peak value is 100 g's. Normal duration (D) is 6 (ms)

Vibration: AEC-Q200-REV D-Test 14, MIL-STD-202 method 204, 5 g's for 20 minutes, 12 cycles each of 3 orientations. Test from 10-2000 Hz

Resistance to soldering heat: AEC-Q200-REV D-Test 15, MIL-STD-202 method 210, Condition B : Immerse in eutectic solder at +260 °C ± 5 °C for 10 ± 1 second

Thermal shock: AEC-Q200-REV D-Test 16, MIL-STD-202 method 107, -55 °C/+155 °C. 300 cycles, Maximum transfer time 20 seconds, Dwell time 15 minutes. Air-Air

ESD: AEC-Q200-REV D-Test 17, AEC-Q200-002 or ISO/DIS 10605, verify the voltage setting at 500 V

Solderability: AEC-Q200-REV D-Test 18, J-STD-002, method B, aging 4 hours at +155 °C dry heat Lead-free solder bath at +235 °C ± 3 °C, Dipping time: 3 ± 0.5 seconds, > 95% area covered with tin

Flammability: AEC-Q200-REV D-Test 20, UL-94, V-0 or V-1 are acceptable.

Board flex (bending): AEC-Q200-REV D-Test 21, AEC-Q200-005, The duration of the applied forces shall be 60 (+ 5) seconds, 2 mm deflection

Terminal strength (SMD): AEC-Q200-REV D-Test 22, AEC-Q200-006, Force of 1.8 kg for 60 seconds

Solder reflow profile



Profile feature	Lead (Pb) free solder	
Preheat and soak	<ul style="list-style-type: none"> • Temperature min. (T_{smin}) • Temperature max. (T_{smax}) • Time (T_{smin} to T_{smax}) (t_s) 	150 °C 200 °C 60-150 seconds
Ramp up rate T_L to T_p	3 °C/ second max.	
Liquidous temperature (T_l) Time (t_l) maintained above T_l	217 °C 60-120 seconds	
Peak package body temperature (T_p)*	260 °C	
Time (t_p)* within 5 °C of the specified classification temperature (T_c)	10 seconds*	
Ramp-down rate (T_p to T_l)	6 °C/ second max.	
Time 25 °C to peak temperature	8 minutes max.	

* Tolerance for peak profile temperature (T_p) is defined as a supplier minimum and a user maximum.

Manual solder

+350 °C ±10 °C , 3 +1/-0 seconds 1 time (by soldering iron), generally manual, hand soldering is not recommended

Life Support Policy: Eaton does not authorize the use of any of its products for use in life support devices or systems without the express written approval of an officer of the Company. Life support systems are devices which support or sustain life, and whose failure to perform, when properly used in accordance with instructions for use provided in the labeling, can be reasonably expected to result in significant injury to the user.

Eaton reserves the right, without notice, to change design or construction of any products and to discontinue or limit distribution of any products. Eaton also reserves the right to change or update, without notice, any technical information contained in this bulletin.

Eaton
Electronics Division
1000 Eaton Boulevard
Cleveland, OH 44122
United States
Eaton.com/electronics

© 2022 Eaton
All Rights Reserved
Printed in USA
Publication No. ELX1177 BU-ELX22037
June 2022

Eaton is a registered trademark.

All other trademarks are property of their respective owners.

Follow us on social media to get the latest product and support information.

