

U.I. Lapp GmbH	<b>PRODUCT INFORMATION</b>	
	<b>SKINTOP® INOX / SKINTOP® INOX-R</b>	12.09.2012

High corrosion-resistance  
Smooth surfaces - no edges  
Compact design  
Sea water-resistant  
Wide, variable clamping ranges



**Info**

Stainless steel version with compact design

**Application range**

Pharmaceutical industry  
Food industry (product-free zone, splash zone)  
Onshore and offshore applications  
Bottling plants and breweries

**Design**

Metric connection thread acc. to EN 50262

**Approvals (Norm references)**

DIN EN ISO 14 159 Security of machinery – Hygienic requirements for the design of machinery  
DIN EN 1672-2 Guideline for the design of machinery  
EHEDG Hygienic design for machinery and components

**Remark**

Photographs are not to scale and do not represent detailed images of the respective products.




Product Management	Document: LAPP_PRO214997EN.pdf	1 / 3
--------------------	--------------------------------	-------

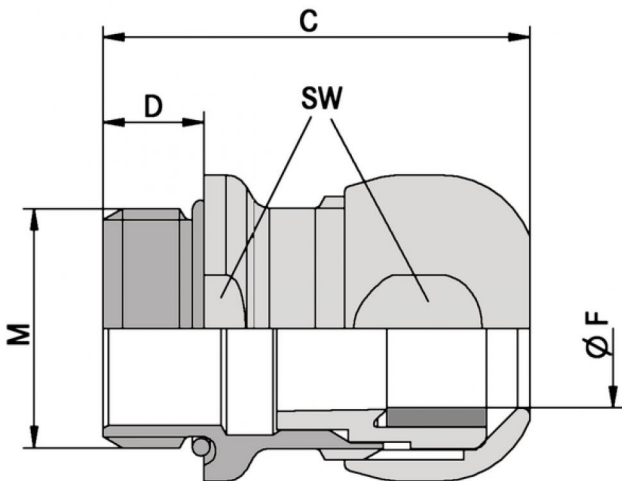


**SKINTOP® INOX / SKINTOP® INOX-R**

12.09.2012

Part number	Article designation / size	Clamping range ØF (mm)	Thread length/ D (mm)	SW (mm)	Overall length/ C (mm)	Pieces / PU
<b>SKINTOP® INOX</b>						
53806740	16x1,5	4,5-10	7	20	32,4	5
53806741	20x1,5	7-13	8	24	35,8	5
53806742	25x1,5	9-17	8	29	37,8	5
53806743	32x1,5	11-21	9	36	43,3	5
<b>SKINTOP® INOX-R</b>						
53806750	16x1,5	2-7	7	20	32,4	5
53806751	20x1,5	5-10	8	24	35,8	5
53806752	25x1,5	6-13	8	29	37,8	5
53806753	32x1,5	7-15	9	36	43,3	5

U.I. Lapp GmbH	<b>PRODUCT INFORMATION</b>	
	<b>SKINTOP® INOX / SKINTOP® INOX-R</b>	12.09.2012



Product Management	Document: LAPP_PRO214997EN.pdf	3 / 3
--------------------	--------------------------------	-------