

821B YYY - 1 0 3 R 00 1

SERIES 12.00 [0.475]  
 # OF POSITIONS (Ex. 002)  
 \*\*SEE CHART A\*\*  
 1 = MALE  
 SOLDER CUP (PANEL MOUNT)  
 1 = GOLD FLASH  
 RoHS COMPLIANT  
 NICKEL/CHROME PLATED SHELL

CHARACTERISSTICS

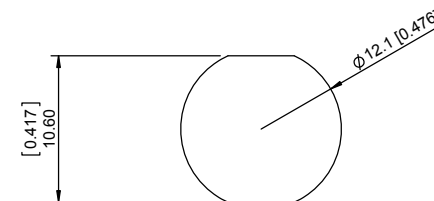
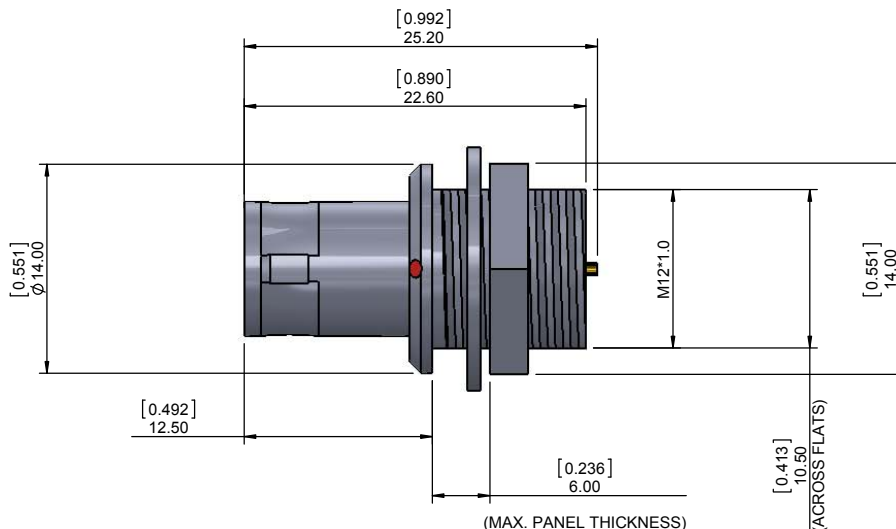
MATERIALS

SHELL : BRASS  
 SHELL PLATING : NICKEL  
 NUT : BRASS  
 NUT PLATING : NICKEL  
 LATCH SLEEVE : BRASS  
 LATCH SLEEVE PLATING : NICKEL  
 CONTACTS : COPPER ALLOY  
 CONTACT PLATING : 7µ" GOLD PLATED OVER 196µ" NICKEL MIN.  
 INSULATOR : PPS (HIGH TEMPERATURE)

MECHANICAL

DURABILITY: 5000 CYCLES  
 OPERATING TEMP. RANGE: -40°C ~ +200°C  
 PROCESS TEMPERATURE : 260°C FOR 5 SECONDS  
 MAX. TORQUE VALUE : 4.5 Nm [39 IN/lbs]  
 SHIELDING: 75dB @ 10MHz  
 40dB @ 1GHz

IP RATING: 50



PANEL CUTOUT

TOLERANCE = +0.10, -0.0  
 [+0.004, -0.00]

CHART A

● = KEY LOCATION

|   |   |   |   |   |  |  |   |   |
|---|---|---|---|---|--|--|---|---|
|   |   |   |   |   |  |  |   |   |
| 2 POSITION<br>20 AWG MAX.<br>15 AMP MAX.<br>PIN Ø = 1.30 [0.051]            | 3 POSITION<br>20 AWG MAX.<br>12 AMP MAX.<br>PIN Ø = 1.30 [0.051]            | 4 POSITION<br>22 AWG MAX.<br>10 AMP MAX.<br>PIN Ø = 0.90 [0.035]            | 5 POSITION<br>22 AWG MAX.<br>9 AMP MAX.<br>PIN Ø = 0.90 [0.035]             | 6 POSITION<br>22 AWG MAX.<br>7 AMP MAX.<br>PIN Ø = 0.70 [0.028]               | 7 POSITION<br>22 AWG MAX.<br>7 AMP MAX.<br>PIN Ø = 0.70 [0.028]              | 8 POSITION<br>22 AWG MAX.<br>5 AMP MAX.<br>PIN Ø = 0.70 [0.028]              | 10 POSITION<br>28 AWG MAX.<br>2.5 AMP MAX.<br>PIN Ø = 0.50 [0.020]          | 14 POSITION<br>28 AWG MAX.<br>2 AMP MAX.<br>PIN Ø = 0.50 [0.020]            |
| CONTACT RESISTANCE = 5 mΩ<br>TEST VOLTAGE = 1500V<br>WORKING VOLTAGE = 500V | CONTACT RESISTANCE = 5 mΩ<br>TEST VOLTAGE = 1300V<br>WORKING VOLTAGE = 430V | CONTACT RESISTANCE = 6 mΩ<br>TEST VOLTAGE = 1300V<br>WORKING VOLTAGE = 430V | CONTACT RESISTANCE = 6 mΩ<br>TEST VOLTAGE = 1250V<br>WORKING VOLTAGE = 415V | CONTACT RESISTANCE = 7.5 mΩ<br>TEST VOLTAGE = 1050V<br>WORKING VOLTAGE = 350V | CONTACT RESISTANCE = 7.5 mΩ<br>TEST VOLTAGE = 950V<br>WORKING VOLTAGE = 315V | CONTACT RESISTANCE = 7.5 mΩ<br>TEST VOLTAGE = 950V<br>WORKING VOLTAGE = 315V | CONTACT RESISTANCE = 10 mΩ<br>TEST VOLTAGE = 900V<br>WORKING VOLTAGE = 300V | CONTACT RESISTANCE = 10 mΩ<br>TEST VOLTAGE = 800V<br>WORKING VOLTAGE = 260V |

RoHS COMPLIANT



THESE DRAWINGS AND SPECIFICATIONS ARE THE PROPERTY OF NorComp AND SHALL NOT BE REPRODUCED, COPIED OR USED AS THE BASIS FOR THE MANUFACTURE OR SALE OF APPARATUS WITHOUT WRITTEN PERMISSION.

NorComp

|                     |                   |                  |                            |           |
|---------------------|-------------------|------------------|----------------------------|-----------|
| DRAWN:<br>M. SIGMON | DATE:<br>02-05-16 | SCALE:<br>N.T.S. | SHEET<br>1 OF 1            | REV:<br>0 |
| CHECKED:            | DATE:             |                  | DWG NO.<br>821BYYY-103R001 |           |