

## Chamois Tips

**Product# CC50**

### Product Description

Chemtronics Chamois Tips are constructed from a lint-free synthetic chamois cloth material. The chamois cloth is bonded to an ABS swab handle without potentially contaminating adhesives or glues. These swabs are ideal for cleaning and polishing magnetic and optical, audio and video heads.

- Material is free of oils and residues
- Can be used with solvents for tough soils
- Flexible handle bends to clean hard-to-reach areas
- Bonded without adhesives or glues
- Seamless construction; does not scratch surfaces

### Typical Applications

Chemtronics Chamois Tips Swabs can be used to:

- Clean magnetic and optical heads
- Restore VCR and camcorder recording quality
- Remove contamination from Disk Drives
- Critical cleaning of optical pick-up assemblies on CD, CDROM and laser disc players
- Micro Mechanical Cleaning
- Effectively cleans excess ink from ink jet cartridges

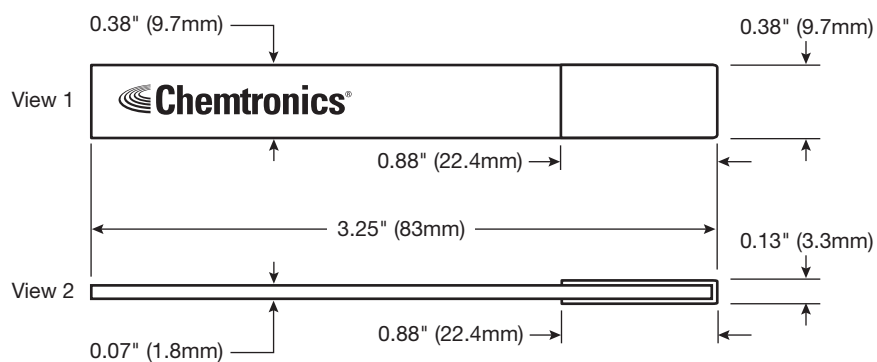


### Compatibility

Chamois Tips Swabs are compatible with most common solvents such as isopropyl alcohol, and methanol. Not recommended for use with ketones such as acetone or methyl ethyl ketone.

### Shelf Life

5 Years from date of manufacture.



CC50

## Chamois Tips

Product# CC50

### Availability

CC50 3.25" swab with 0.38" x 0.88" head  
50 swabs / bag

### Technical and Application Assistance

Chemtronics provides a technical hotline to answer your technical and application related questions.

*The toll free number is: 1-800-TECH-401.*

### Note:

This information is believed to be accurate. It is intended for professional end users having the skills to evaluate and use the data properly. CHEMTRONICS does not guarantee the accuracy of the data and assumes no liability in connection with damages incurred while using it.