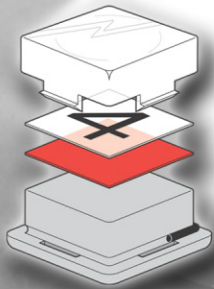
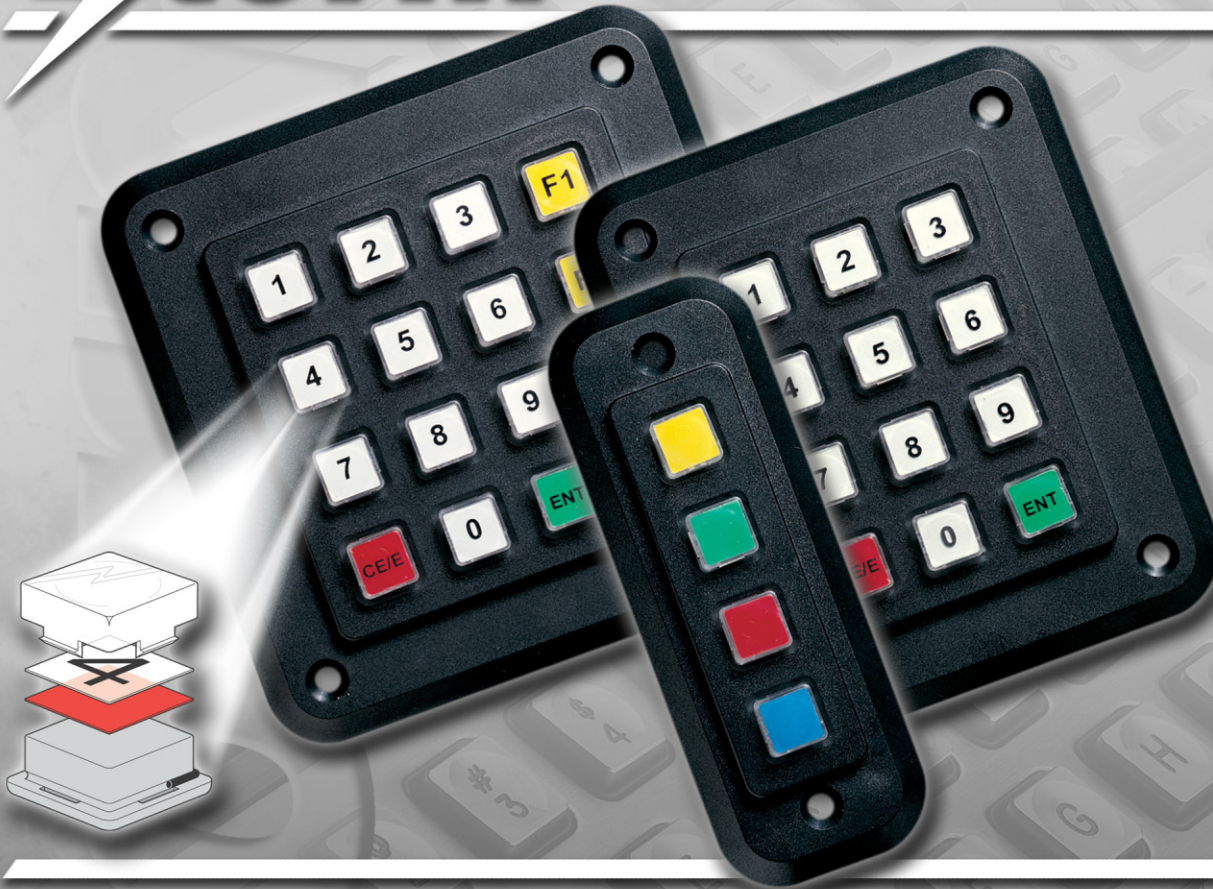


# storm

## Graphic Series Keypads



### Tough keypads with 'snap-on' keytops for custom graphics

- Rugged, reliable and responsive data entry
- Available with optional integrated LED illumination of keytops and keypad characters
- Keytop colours and graphics can be configured to suit almost any application
- Sealed against water and dust to IP54 specification
- 4, 12 and 16 key formats
- Can be fixed to a flat surface or under panel mounted for a flush, low profile installation
- Extensive library of keytop graphics and colour tiles available
- Custom keytop graphics can be created and fitted 'on-site'



Storm Interface products include technology protected by international patents and design registration. All rights reserved.



UK Email: [sales@storm-interface.com](mailto:sales@storm-interface.com) Tel: +44 (0)1895 431421  
USA Email: [sales.usa@storm-keypads.com](mailto:sales.usa@storm-keypads.com) Tel: +1 (630) 469 2981

[www.storm-interface.com](http://www.storm-interface.com)

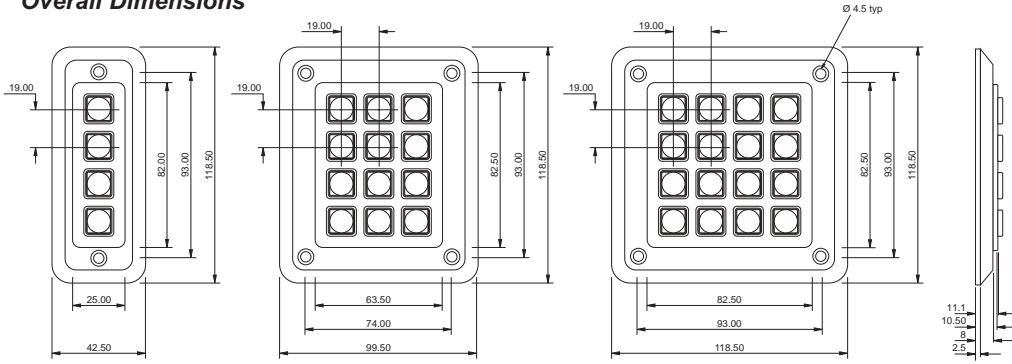
# storm

## K Range Graphic Series Keypads

**STORM Graphic Series Keypads** feature keytop legends that can be configured or customised without dismantling the keypad. The unique 'snap on' keytop cover encapsulates a polymer legend tile. The legend tiles can be selected from an extensive library of standard characters or symbols to suit many applications. Alternatively custom keytop graphics can be created using laser printed acetate film or screen printed polymer film. Keytop colours can also be customised by backing the transparent legend film with a second, coloured tile. When pressed into place the impact resistant keytop provides a permanent tamper resistant lens. The keytop cover protects the encapsulated legends from wear, physical damage, water ingress and unauthorised removal. These field proven keypads are ideal for use in a wide range of industrial and commercial applications. Also available with optional integrated LED illumination of keytops and keytop graphics, making these keypads suitable for use in dark or subdued lighting conditions.

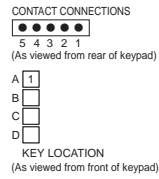


### Overall Dimensions

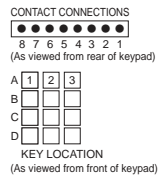


Part No.s  
 GS04020[x] (Black)      GS12020[x] (Black)      GS16020[x] (Black)      [x] denotes packaging variant

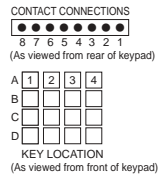
### Connection Details for 4 Key Keypad



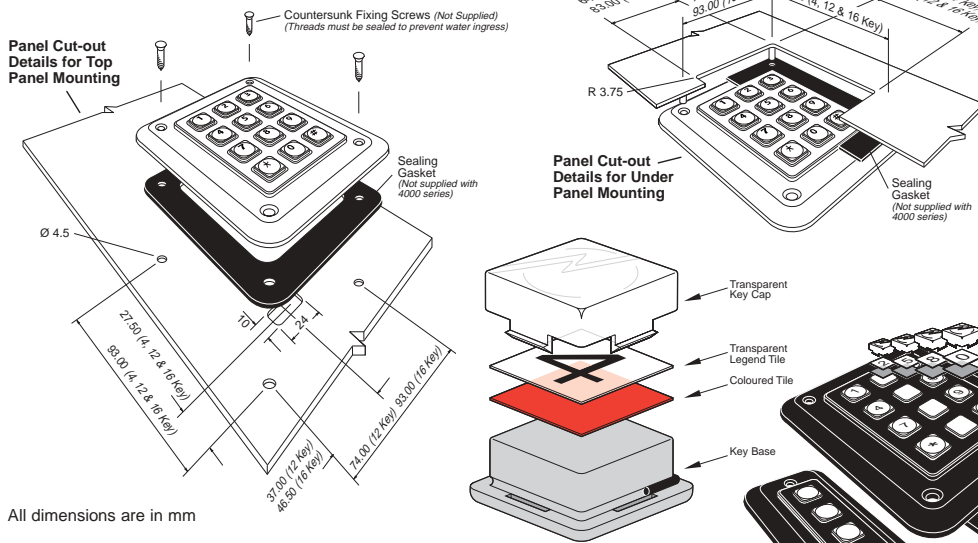
### Connection Details for 12 Key Keypad



### Connection Details for 16 Key Keypad



### Mounting & Connection Details



All dimensions are in mm

### Electrical

Contact Bounce	5ms (max)
Contact Resistance	100 ohms (max)
Insulation Resistance	50 Mohms (min)
Breakdown Voltage	500V AC (max 60 secs.)
Operating Voltage	24V DC (max)
Operating Current	50mA (max)

### Mechanical

Operational Life	2 million cycles (min) per key
Keytop Travel	1.4mm nominal
Actuation Force	180gms nominal
Connector	0.1" pitch, gold plated square pin, male connector

### Environmental

Water / Dust Sealed	IP54 (when mounted to suitable enclosure)
Operational Temperature	-20°C to +60°C (Dry)

### Material

Casing	General Service Polymer (black or mid grey)
Keytops	General Service Polymer (transparent)
Contact Circuit	Gold on Nickel plated FR4

Whilst every effort is made to ensure details are correct at time of print, specifications are subject to change without notice.

For details of available STORM Graphic Series keytop character sets, please request the legend tile character library, document ref. GFX-LEG1-01

Brochure designed & produced by NIK Design: +44 (0)7810 551046

GFX-LIT-01 Rev 2 Oct 2004



FM 39602



USA Office:  
**Storm Interface**  
 Suite 202  
 364 Pennsylvania Avenue  
 Glen Ellyn IL 60137 USA  
 Tel: (630) 469 2981  
 Fax: (630) 469 2975  
 Email: sales.usa@storm-keypads.com

UK Office:  
**Storm Interface**  
 14 Bentinck Court  
 Bentinck Road  
 West Drayton  
 Middlesex UB7 7RQ  
 Tel: +44 (0)1895 431421  
 Fax: +44 (0)1895 431132  
 Email: sales@storm-interface.com  
[www.storm-interface.com](http://www.storm-interface.com)

Storm is a trademark of Keymat Technology Ltd  
 Storm Interface is a trading name of Keymat Technology Ltd  
 Storm Interface products include technology protected by international patents and design registration. All rights reserved.