

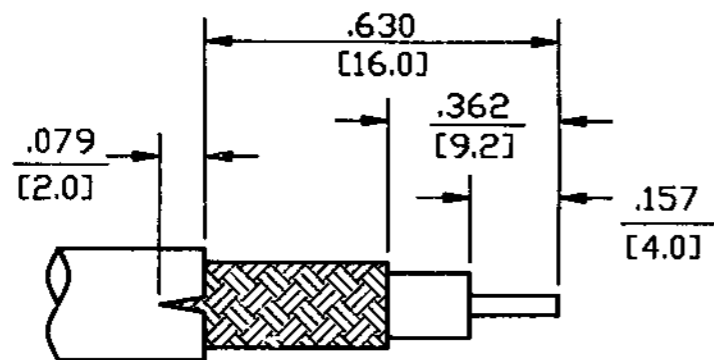
DO NOT SCALE THIS DRAWING

31-245-RFX

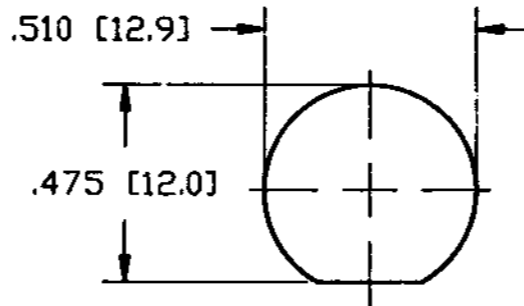
DRAWING NUMBER

REVISIONS

SYM	DESCRIPTION	DATE	E.C.O. NO.	APPR.
A	OFFICIAL ENG. RELEASE TO MFG.	10/2/91	38063	DR

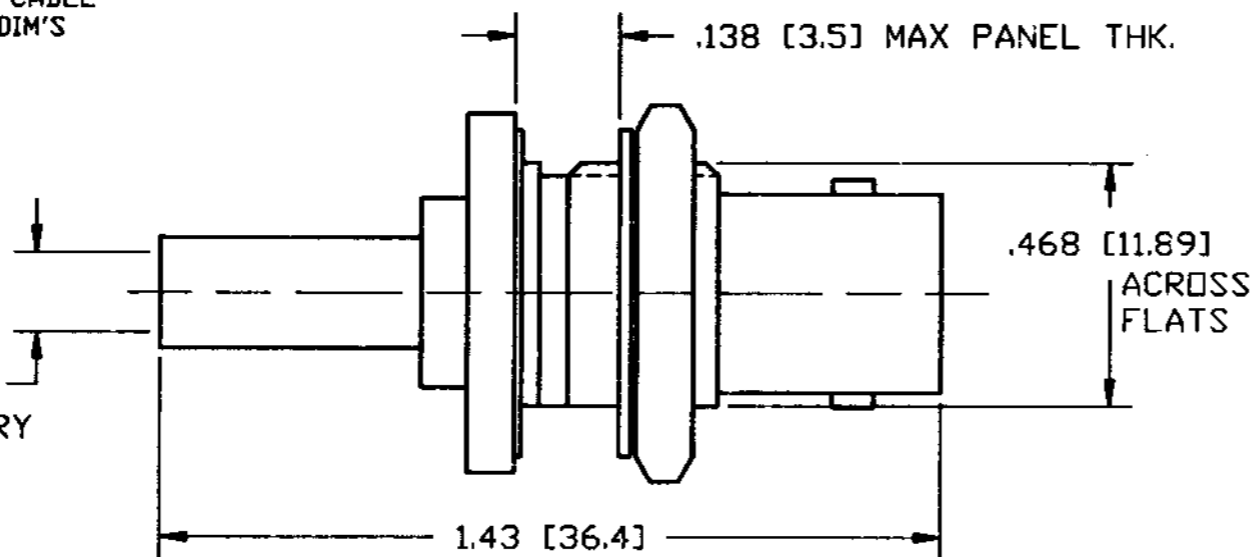


RECOMMENDED CABLE STRIPPING DIM'S

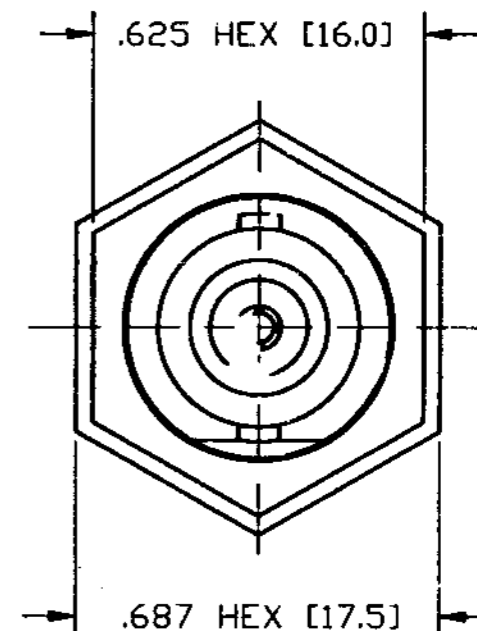


RECOMMENDED CABLE STRIPPING DIM'S

.106 DIA CABLE ENTRY



APPROX. ASSEMBLED



NOTES:

1. BRASS BODY, NICKEL PLATED.
2. DELRIN INSULATOR.
3. GOLD PLATED, PHOSPHOR BRONZE CONTACT, .000003.
4. PACKAGE IN BAG 999-311.
5. USE AMPHENOL CRIMP TOOL #CTL-2
6. NON-CAPTIVATED CONTACT, .016 WIRE ENTRY.
7. 3 PC. (BODY, FERRULE, CONTACT).

ENGLISH [METRIC]

H:\DEPT611\BNC\031\ASSY\245RFX

REMOVE ALL BURRS, BREAK CORNERS AND SHARP EDGES .005 MAXIMUM UNLESS OTHERWISE SPECIFIED.

NEXT ASSY	USED ON
MATERIAL	
SPECIFICATION	
FINISH	

UNLESS OTHERWISE SPECIFIED DIMENSIONS ARE IN INCHES. TOLERANCES NOT OTHERWISE SPECIFIED ARE

2 PLACE DECIMAL ±.015 (0.381 mm)	3 PLACE DECIMAL ±.005 (0.127 mm)	ANGLES ± 1°
----------------------------------	----------------------------------	-------------

REFERENCE DRAWING NO
EAR 962370

DRAWN BY TERRI ALBERA	DATE 4-22-91
CHECKED <i>[Signature]</i>	DATE 5-13-91
ENGINEER <i>[Signature]</i>	DATE 5-13-91
QUALITY ASSURANCE <i>[Signature]</i>	DATE 7/13/91
MFG ENG H. FROLOV	DATE 7/13/91

TITLE
BNC CRIMP CRIMP PANEL JACK FOR RG-179, 187 CABLE 50 OHM

Amphenol Corporation
RF/Microwave Operations
Danbury, Conn. U.S.A.

SCALE NTS SHEET OF

CODE IDENTIFICATION 74868	DRAWING SIZE B	DRAWING NO 31-245-RFX	ISSUE A
------------------------------	-------------------	--------------------------	------------

PART NO.	QUAN	UOM	ITEM NO	DESCRIPTION	CODE	FINISH
LIST OF MATERIAL						

Design Products Co. Inc. Copyright #1020