

Benennung/Description

Mehrtonsirene 42 Töne
Multi-t. sounder 42 tne

Artikel-Nummer
Material number

142 000 XX

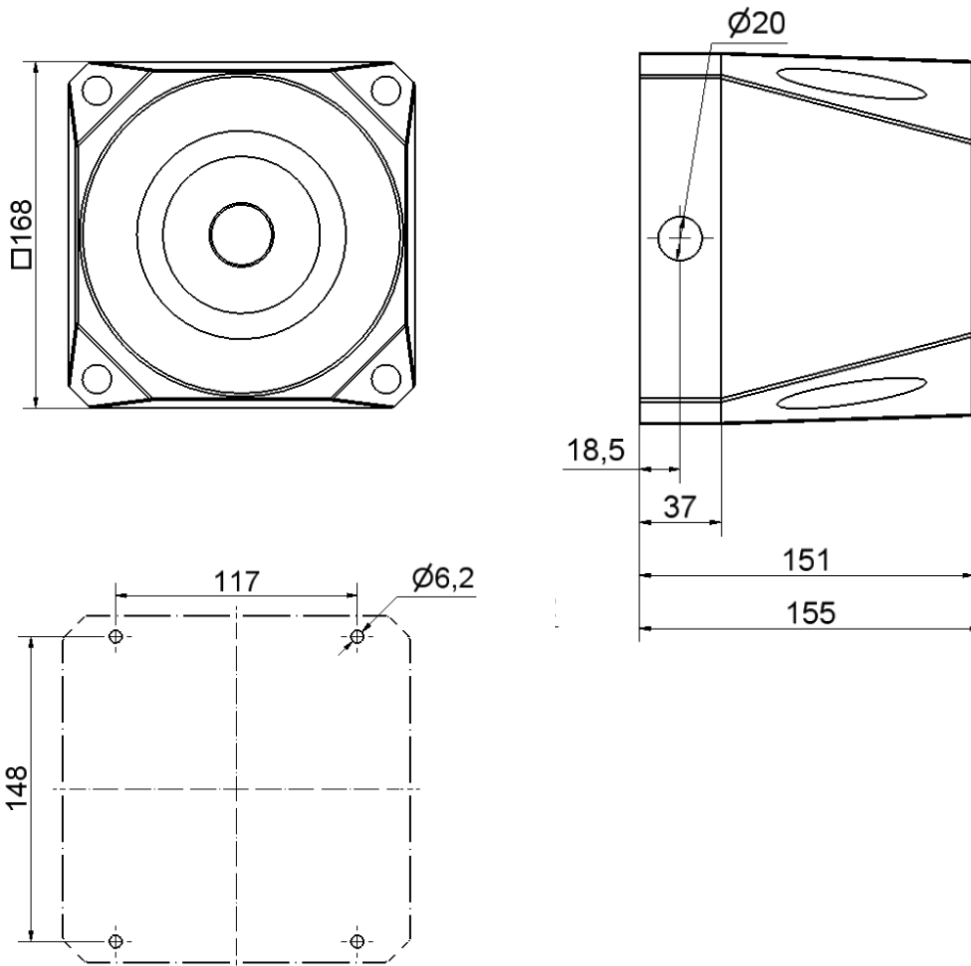
Ausdruck ist nur zur Information und wird bei Änderung nicht berücksichtigt. / This printed copy is for information only and is subject to alteration.

Bestell-Nr. / order no.

142 000 55	18 - 30V DC	450 mA	ca. 1,6 kg
142 000 68	115 - 230V AC	130/65 mA	ca. 2,0 kg



Andere Spannungen auf Anfrage / other voltages available on request



Stufe Stage Niveau 1+2	Code	Tonart Tone type Tonalité	Frequenz Frequencies Fréquence	Beschreibung Description Description	Einsatz Use Utilisation	Stufe Stage Niveau 3	dB(A)/1m
	123456						
A1	111111	alternierend, alternating, alternant	800 & 970	2Hz (250ms-250ms)		A14	120
A2	111110	ansteigend, rising, montant	800 & 970	7Hz (7/s)		A14	120
A3	111101	ansteigend, rising, montant	800 & 970	1Hz (1/s)		A14	120
A4	111100	Dauerton, continuous, continu	2850			A9	111
A5	111011	ansteigend, rising, montant	2400 to 2850	7Hz		A4	109
A6	111010	ansteigend, rising, montant	2400 to 2850	1Hz		A4	110
A7	111001	ansteigend, rising, montant	500 to 1200	3s, then 0.5s Off (then repeat)	Slow Whoop Holland	A14	119
A8	111000	abfallend, falling, incliné	1200 to 500	1Hz	DIN/PFEER (PAPA)	A14	119
A9	110111	alternierend, alternating, alternant	2400 & 2850	2Hz (250ms-250ms)		A4	113
A10	110110	pulsierend, pulse, pulsant	970	0.5Hz (1s On/1s Off)	PFEER alert	A14	117
A11	110101	alternierend, alternating, alternant	800 & 970	1Hz (500ms-500ms)		A14	118
A12	110100	pulsierend, pulse, pulsant	2850	0.5Hz (1s On/1s Off)		A4	112
A13	110011	unterbochen Intermittent	970	0.8Hz (250ms On/1s Off)		A14	117
A14	110010	Dauerton, Continuous, Continu	970		PFEER - Toxic gas	A8	118
A15	110001	alternierend, alternating, alternant	554 & 440	100ms-400ms	France NFS 32 S 32-001	A14	115
A16	110000	pulsierend, pulse, pulsant	660	3.3Hz (150ms On/150ms Off)	Swedish (Air raid)	A14	114
A17	101111	pulsierend, pulse, pulsant	660	0.28Hz (1.8s On/1.8s Off)	Swedish (Local warning)	A14	115
A18	101110	pulsierend, pulse, pulsant	660	0.05Hz (6.5s On/13s Off)	Swedish (Pre-mess)	A14	115
A19	101101	Dauerton, continuous, continu	660		Swedish (All clear)	A1	116
A20	101100	alternierend, alternating, alternant	554 & 440	0.5Hz (1s On/1s Off)	Swedish (Turn out)	A19	115
A21	101011	pulsierend, pulse, pulsant	660	1HZ (500ms-500ms)	Swedish	A4	115
A22	101010	pulsierend, pulse, pulsant	2850	4Hz (150ms On/100ms Off)		A4	110
A23	101001	ansteigend, rising, montant	800 to 970	50Hz		A14	117
A24	101000	ansteigend, rising, montant	2400 to 2850	50Hz		A4	110
A25	100111	pulsierend, pulse, pulsant	970	3x500s Puls, 1,5s Pause, dann Wiederholung, 3x500ms pulses followed by 1.5s silence then repeat Pulsation de 3x500ms puis 1,5s de pause et ensuite répétition	ISO 8201/US Temporal	A14	118
A26	100110	pulsierend, pulse, pulsant	2850	3x500s Puls, 1,5s Pause, dann Wiederholung 3x500ms pulses followed by 1.5s silence then repeat Pulsation de 3x500ms puis 1,5s de pause et ensuite répétition	ISO 8201/US Temporal	A4	112
A27	100101	Dauerton, continuous, continu	4000			A6	105
A28	100100	alternierend, alternating, alternant	800 & 970	2Hz (250ms-250ms)		A14	118
A29	100011	alternierend, alternating, alternant	990 & 650	2Hz (250ms-250ms) (Symphoni tones)		A14	117
A30	100010	alternierend, alternating, alternant	510 & 610	2Hz (250ms-250ms)		A14	116
A31	100001	ansteigend, rising, montant	300 to 1200	1Hz		A14	118
A32	100000	Dauerton, continuous, continu	Klingel, bell, carillon			A3	117
A33	011111	Dauerton, continuous, continu	Klingel, bell, carillon	3x500s Puls, 1,5s Pause, dann Wiederholung 3x500ms pulses followed by 1.5s silence then repeat Pulsation de 3x500ms puis 1,5s de pause et ensuite répétition	Bell/US Temporal	A14	117
A34	011110	alternierend, alternating, alternant	1000 & 2000	1Hz (500ms-500ms)	Singapore	A4	115
A35	011101	pulsierend, pulse, pulsant	420	0.625s	Australian alert	A14	118
A36	011100	ansteigend, rising, montant	500 to 1200	Sweep 3.75s followed by 0.25s gap	Australian evac	A14	117
A37	011011	ansteigend, rising, montant	1400 to 1600	Sweep up 1s, sweep down 0.5s	NF C 48-265	A14	116
A38	011010	ansteigend-abfallend, rising-falling, montant-incliné	500 to 1200	Sweep up & down over 3s	Siren	A14	117
A39	011001	pulsierend, pulse, pulsant	720	0.7s On, 0.3 Off	German ind alarm	A14	118
A40	011000	ansteigend, rising, montant	422 to 775	Sweep for 0.85s, 1s delay, repeat	NFPA Whoop	A14	118
A41	010111	Dauerton, continuous, continu	470		Horn (USA)	A3	114
A42	010110	Dauerton, continuous, continu	370		Air Horn (USA)	A3	113

Elektrische Daten		Electrical specifications	
Einschaltdauer	100 % ED	Duty cycle	100 %
Lautstärke	120 dB(A) / 1m	Volume	120 dB(A) / 1m
Tonart	42 Töne	Tone type	42 tones
Tonfrequenz	ca. 300-4000Hz	Tone frequency	ca. 300-4000Hz
Mechanische Daten		Mechanical specifications	
Anschluss	Schraubklemme mit Drahtschutz, 0,28 ... 2,5 mm ²	Connection	Screwable connection with wire protection 0,28 ... 2,5mm ²
Befestigung	Winkelmontage	Fixing	Bracket mounting
Einbaulage	Schallaustritt nicht nach oben	Installation position	Sound outlet not upwards
Farbe	RD	Colour	RD
Kabeleinführung	Kabelverschraubung M20x1,5; Kabeldurchmesser 8-12 mm	Cable entry	Cable gland M20x1,5; Cable diameter 8-12 mm
Schutzart	IP66 in montiertem Zustand	Protection rating	IP66 when mounted
Temperatur	-25° ... +75 °C	Temperature	-25° ... +75 °C
Umgebungsbedingungen	Verschmutzungsgrad 3, U _i = 250V; U _{imp} = 2.500V	Environmental conditions	Pollution degree 3, U _i = 250V, U _{imp} = 2.500V
Werkstoff Gehäuse	PC/ABS-blend	Material housing	PC/ABS-blend
Sonstige Daten		Other specifications	
Besonderheiten	Lautstärkeeinstellung max. -20dB(A)	Characteristics	Volume control max. -20dB(A)
Hinweis	Alle Angaben beziehen sich auf U _{enn} und Raumtemperatur. Die Hinweise der Montageanleitung sind zu beachten.	Note	All specifications refer to U _{nom} and room temperature. The advice contained in the installation instruction is to be observed.
Vorschriften	Die zutreffenden EU-Richtlinien werden erfüllt.	Regulations	Conforms to current EU Directives.
Zulassung		Approval	

