



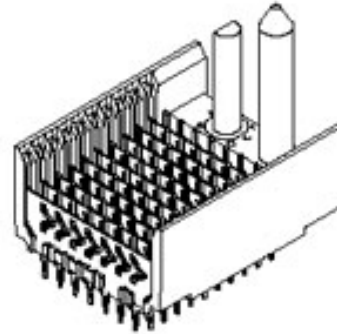
Part Number : [740622502](#)

Product Description : 2.00mm Pitch VHDM Single-Ended Board-to-Board Backplane Header, Vertical, 8 Rows, Guide Pin Signal Module, Shield End Version, 200 Circuits, 25 Columns, Pin Length 6.25mm

Series Number : 74062

Status : Active

Product Category : Backplane Connectors



Documents & Resources

Drawings

[Drawing 740622502_sd.pdf](#)

[Packaging Design Drawing PK-74061-003-001.pdf](#)

3D Models and Design Files


[3D Model 740622502_stp.zip](#)

Specifications

[Product Specification PS-74031-999-001.pdf](#)

Product Environment Compliance

Compliance

GADSL/IMDS	Not Relevant
China RoHS	
EU ELV	Not Relevant
Low-Halogen Status	Low-Halogen per IEC 61249-2-21
REACH SVHC	Not Contained per D(2023)3788-DC (14 Jun 2023)
EU RoHS	Compliant per EU 2015/863

Multiple Part Product Compliance Statements

- Eu RoHS
- REACH SVHC
- Low-Halogen

Multiple Part Industry Compliance Documents

- IPC 1752A Class C

- IPC 1752A Class D
- Molex Product Compliance Declaration
- IEC-62474
- chemSHERPA (xml)

EU RoHS Certificate of Compliance

Part Details

General

Status	Active
Category	Backplane Connectors
Series	74062
Description	2.00mm Pitch VHDM Single-Ended Board-to-Board Backplane Header, Vertical, 8 Rows, Guide Pin Signal Module, Shield End Version, 200 Circuits, 25 Columns, Pin Length 6.25mm
Application	Backplane
Comments	No Keying Position
Component Type	PCB Header
Product Family	VHDM Backplane Connectors and Cable Assemblies
Product Name	VHDM
UPC	800754782234

Agency

CSA	LR19980
-----	---------

Electrical

Current - Maximum per Contact	3.0A
Data Rate	3.125 Gbps
Shield Type	Ground Plane Shield
Shielded	Yes
Voltage - Maximum	120V AC (RMS)/DC

Physical

Circuits (Loaded)	200
Circuits (maximum)	200

Color - Resin	Black
Durability (mating cycles max)	200
First Mate / Last Break	No
Flammability	94V-0
Guide to Mating Part	Yes
Keying to Mating Part	None
Material - Metal	Beryllium Copper, High Performance Alloy (HPA), Stainless Steel
Material - Plating Mating	Gold
Material - Plating Termination	Tin-Lead
Material - Resin	High Temperature Thermoplastic
Net Weight	16.712/g
Number of Columns	25
Number of Pairs	Open Pin Field
Number of Rows	8
Orientation	Vertical
Packaging Type	Tube
PC Tail Length	2.50mm
PCB Locator	No
PCB Retention	None
PCB Thickness - Recommended	1.80mm
Pitch - Mating Interface	2.00mm
Pitch - Termination Interface	1.00mm
Plating min - Mating	0.762µm
Plating min - Termination	0.762µm
Polarized to PCB	Yes
Temperature Range - Operating	-55° to +105°C
Termination Interface Style	Through Hole - Compliant Pin

Solder Process Data

Lead-Free Process Capability	N/A
------------------------------	-----

Mates With / Use With

Mates with Part(s)

Description	Part Number
VHDM Daughtercards	<u>74040</u>

Application Tooling

Global

Description	Part Number
Signal Pin Inserter Repair Tool	<u>0622015700</u>
8-Row Pin and Shield Repair Tool	<u>0622015900</u>
8-Row Shield Extraction Tool	<u>0622016100</u>

This document was generated on Sep 26, 2023