

PCV 4/ 3-G-7,62

Order No.: 1804690

The figure shows a 5-pos. version of the product



<http://eshop.phoenixcontact.se/phoenix/treeViewClick.do?UID=1804690>

Header, Nominal current: 20 A, Nom. voltage: 400 V, Pitch: 7.62 mm,
Number of positions: 3, Color: green, Assembly: Soldering

Commercial data

EAN	4017918046132
Pack	50
Customs tariff	85366990
Catalog page information	Page 327 (CC-2007)

Product notes

WEEE/RoHS-compliant since:
2003-01-01



Please note that the data given here has been taken from the online catalog. For comprehensive information and data, please refer to the user documentation at <http://www.download.phoenixcontact.com>. The General Terms and Conditions of Use apply to Internet downloads.

Technical data

Dimensions / positions

Pitch	7.62 mm
Dimension a	15.24 mm
Number of positions	3
Pin dimensions	1 x 0,8 mm
Hole diameter	1.3 mm

Technical data

Insulating material group	IIIa
Rated surge voltage (III/3)	6 kV
Rated surge voltage (III/2)	6 kV
Rated surge voltage (II/2)	6 kV
Rated voltage (III/2)	630 V
Rated voltage (II/2)	630 V
Connection in acc. with standard	EN-VDE
Nominal current I_N	20 A
Nominal voltage U_N	400 V
Maximum load current	20 A
Insulating material	PBT
Inflammability class acc. to UL 94	V0

Certificates



Certification

BV, CSA, CUL, DNV, GL, GOST, LR, RS, UL

CSA

Nominal voltage U_N	300 V
Nominal current I_N	20 A

CUL

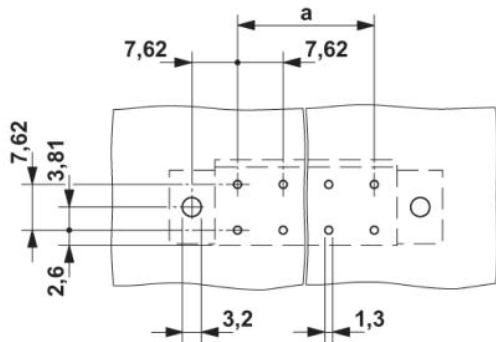
Nominal voltage U_N	300 V
Nominal current I_N	35 A

UL

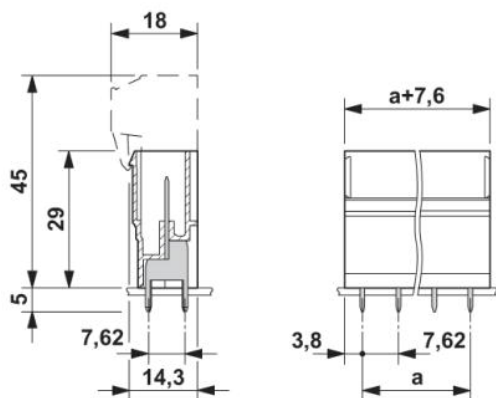
Nominal voltage U_N	300 V
Nominal current I_N	35 A

Drawings

Drilling diagram



Dimensioned drawing



Address

Phoenix Contact AB
Linvägen 2
14144 Huddinge, Sweden
Phone +46 (0)8 - 608 64 00
Fax +46 (0)8 - 608 64 99
<http://www.phoenixcontact.se>

Phoenix Contact Oy
Technical modifications reserved;