

8 Port DIN Rail Mountable Category 6A Patch Panel



8 Port DIN Rail Category 6A Patch Panel (SGKSDIN8)

8 Port DIN Rail Cat 6A Coupler Panel (SGACKDIN8)

These high density 8 port Category 6A panels are ideal for use in industrial DIN Rail installations. The coupler panel offers high speed termination and flexibility whilst the patch panel is suitable for permanent installation.

Key Features

- Category 6A compliant performance
- 8 ports, angleable and with port I.D
- Die cast keystone housings for excellent shielding and improved performance
- Available in black and silver

Technical Specifications

- Net weight: **SGKSDIN8** - 393g; **SGACKDIN8** - 406g
- Dimensions: 80 x 63 x 240mm (in primary packing)
- Colour: black and silver

Materials

- XDIN8 - polycarbonate (fire retardant to UL94 V2 standard) and bright finish cold rolled steel (SPCC)
- SGKSje - Zinc alloy housing; 50µ"/1.27µm gold plating over nickel over phosphor bronze on contacts
- SGACK2S - Nickel plated zinc alloy; Stainless steel SUS304; 50µ"/1.27µm gold plated over nickel over phosphor bronze

Note

- Supplied as a kit of XDIN8 and 8 x SGKSje (SGKSDIN8) or 8 x SGACK2S (SGACKDIN8)

Packaging: Supplied in an individual carton

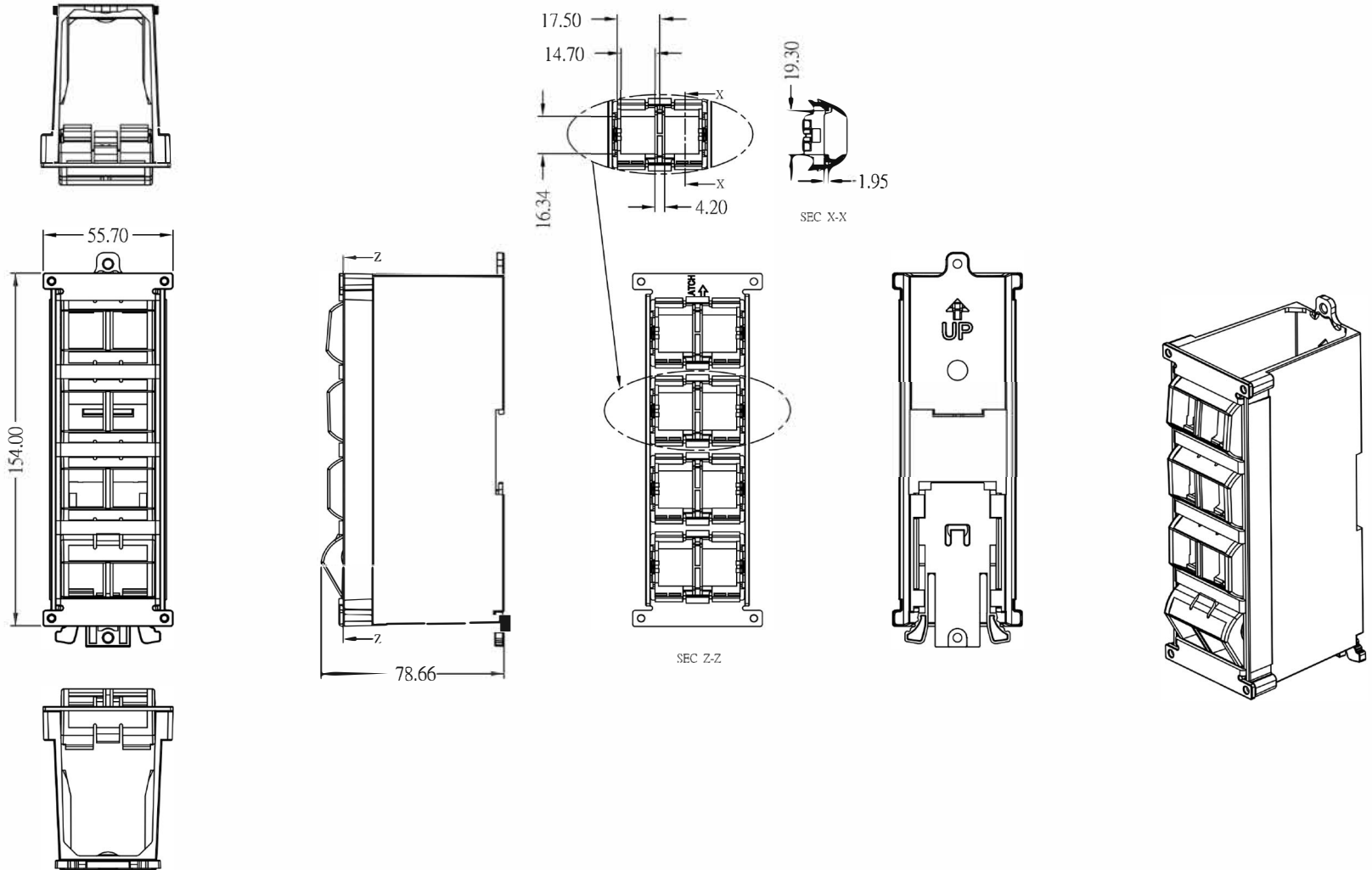
Commodity code: 85177090

Country of origin: China

EAN Numbers: **SGKSDIN8** - 5055386509291; **SGACKDIN8** - 5055386509284

Illustrative images

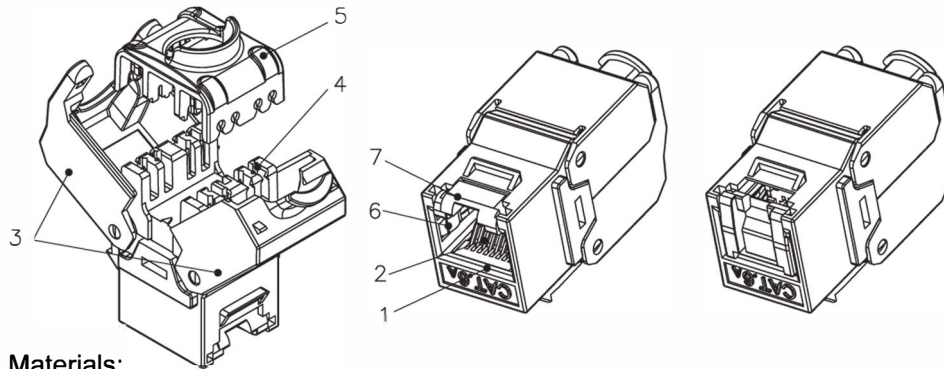




ROHS Compliant

Category 6A shielded keystone jack

Code: SGKSje



Materials:

1. RJ45 jack:

Housing: die cast nickel plated zinc

Contact bracket: PC, UL 94-V2. transparent colour

2. RJ45 jack contact:

Material: nickel plated phosphor bronze

Finish: 1.27µm/50µ" gold plated on plug contact area

3. Cap A&B: die cast nickel plated zinc

4. IDC

Housing: PC, grey colour (RAL7035), UL 94-V2

Terminal: Tin plated phosphor bronze

5. Cap: PC, white colour, UL 94-V2

6. Clip: Stainless steel

7. Shutter: ABS+PC, UL 94V-0, white colour

8. PCB: FR4, UL 94-V0

Performance:

a. T568A & T568B wiring

b. Insertion force: 30N max. (IEC 60603-7-5)

c. Retention strength: 7.7kg between jack and plug

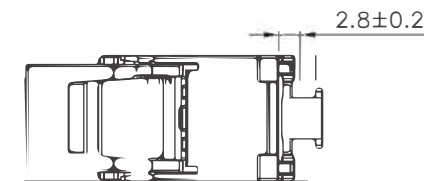
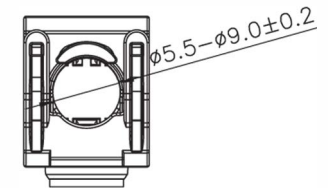
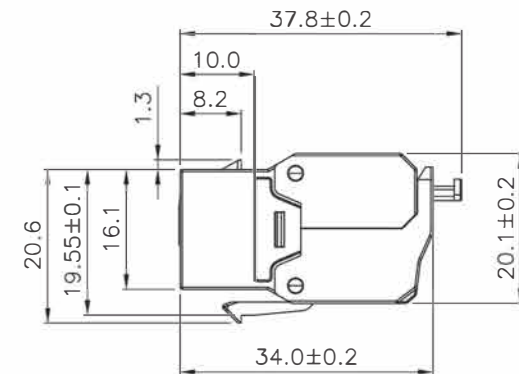
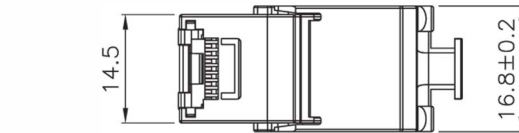
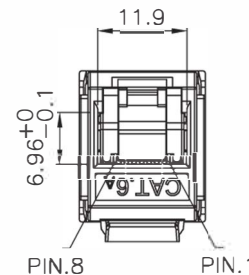
d. Operating temperature: -10°C to 60°C (ISO/IEC 11801, ANSI/TIA 568 C.2)

e. Life (mating cycles)

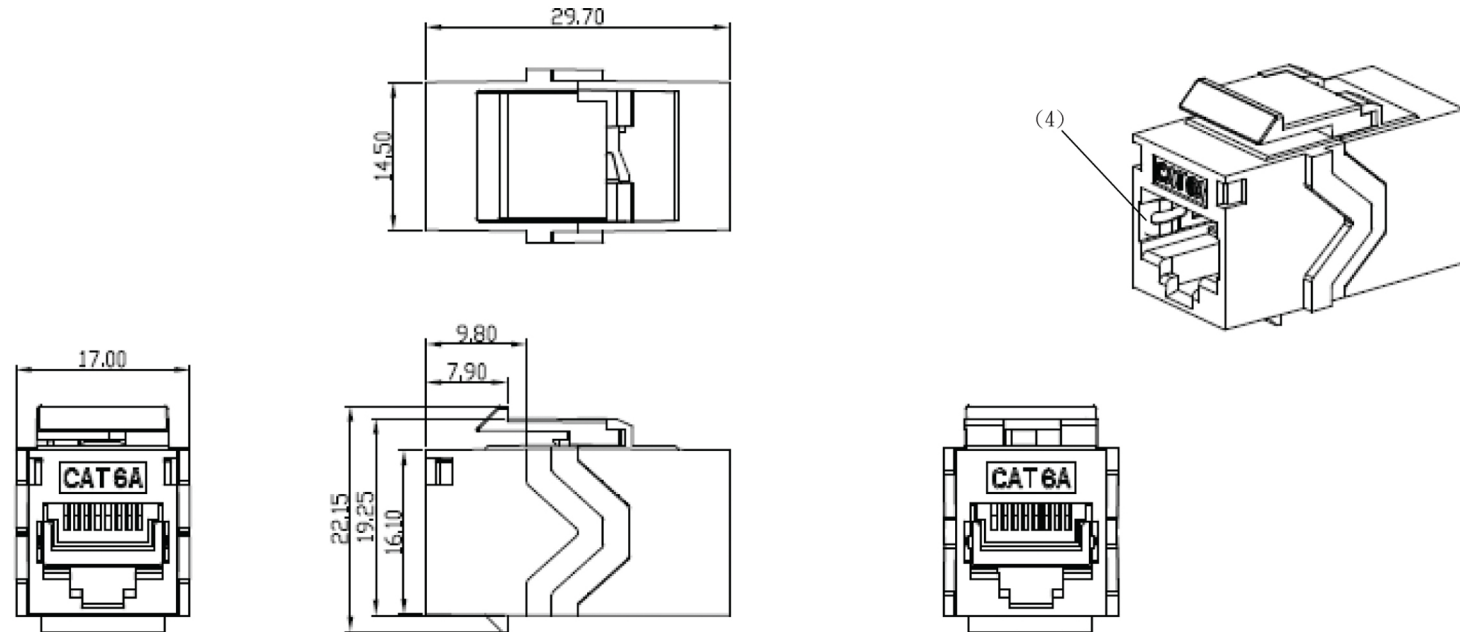
Jack: 750 cycles min. (ISO/IEC 11801, IEC 60603-7-5)

IDC: Suitable for 23-26 AWG stranded and solid wire.

f. The Cat 6A transmission performance is in compliance with the ANSI/TIA 568 C.2 standard



SCALE 1/1

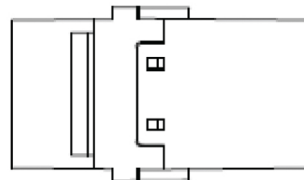


Electrical

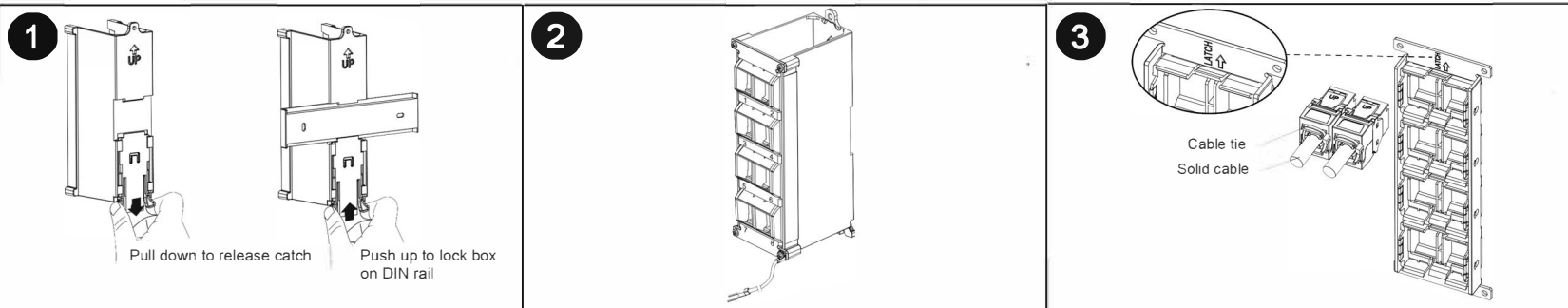
Current rating: 1.5A
Dielectric withstanding voltage: 1000VDC
Insulation Resistance: 500 M Ω Min.
Contact Resistance: 20 m Ω Max.

Mechanical

1. Materials: Zn alloy
2. Cosmetic: Electroplating Ni + Sandblasting
3. RJ45Jack Contact: Phosphor bronze 50 μ " Gold Plating
4. Earthing lug material: Stainless steel SUS304



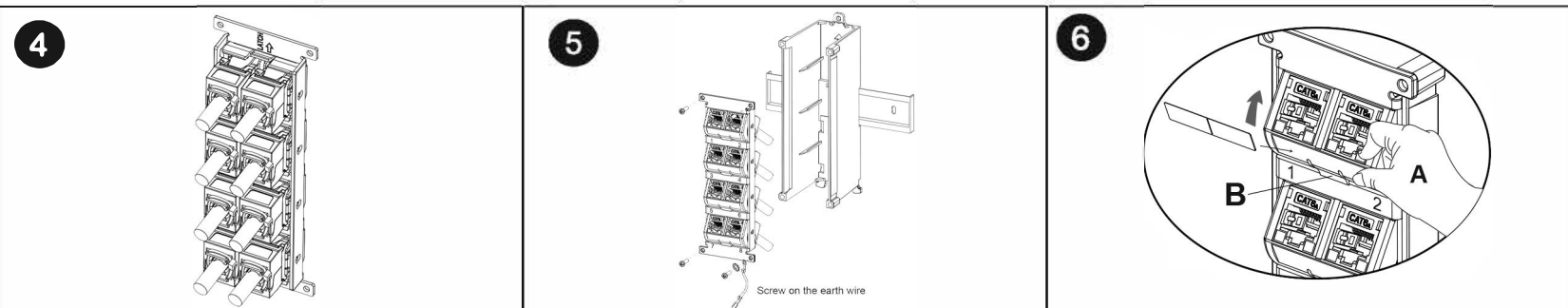
DIN Rail Category 6A Patch Panel Instructions



Mount the Box onto the DIN Rail

If appropriate, finish cable termination on keystone modules.

Follow the "LATCH" marking to identify the module direction. Mount the keystones from back of panel.



Snap the keystones into the panel.

Screw the panel with mounted keystones onto the housing. Attach the earth lead.

Rotatable module options:

- A. Positioning - Rotate the bezel to desired direction until "CLICK" sound.
- B. Re-direction - Press the latch on bezel to release bezel and change the direction.