

IEC Appliance Inlet C14, Screw-on Mounting, Front Side, Solder or Quick-connect, PCB or Screw Terminal

V-Lock



C14



70° C

**Description**

- Panel Mount:
  - Screw-on mounting, Frontside
- 1 Function
- Appliance Inlet, Pin temperature 70 °C, Protection class I
- Solder, quick-connect, screw, PCB

**Approvals**

- VDE Certificate Number: 40011871
- UL File Number: E96454
- CSA File Number: 27324

**Other versions on request**

- Variant with notch for V-Lock mating Cordsets

**References**

We recommend for new applications the type [6100-3](#)

**Weblinks**

[pdf-datasheet](#), [html-datasheet](#), [General Product Information](#), [Approvals](#), [CE declaration of conformity](#), [RoHS](#), [CHINA-RoHS](#), [Mating Connectors](#), [e-Shop](#), [SCHURTER-Stock-Check](#), [Distributor-Stock-Check](#), [CAD-Drawings](#), [Accessories](#), [Detailed request for product](#)

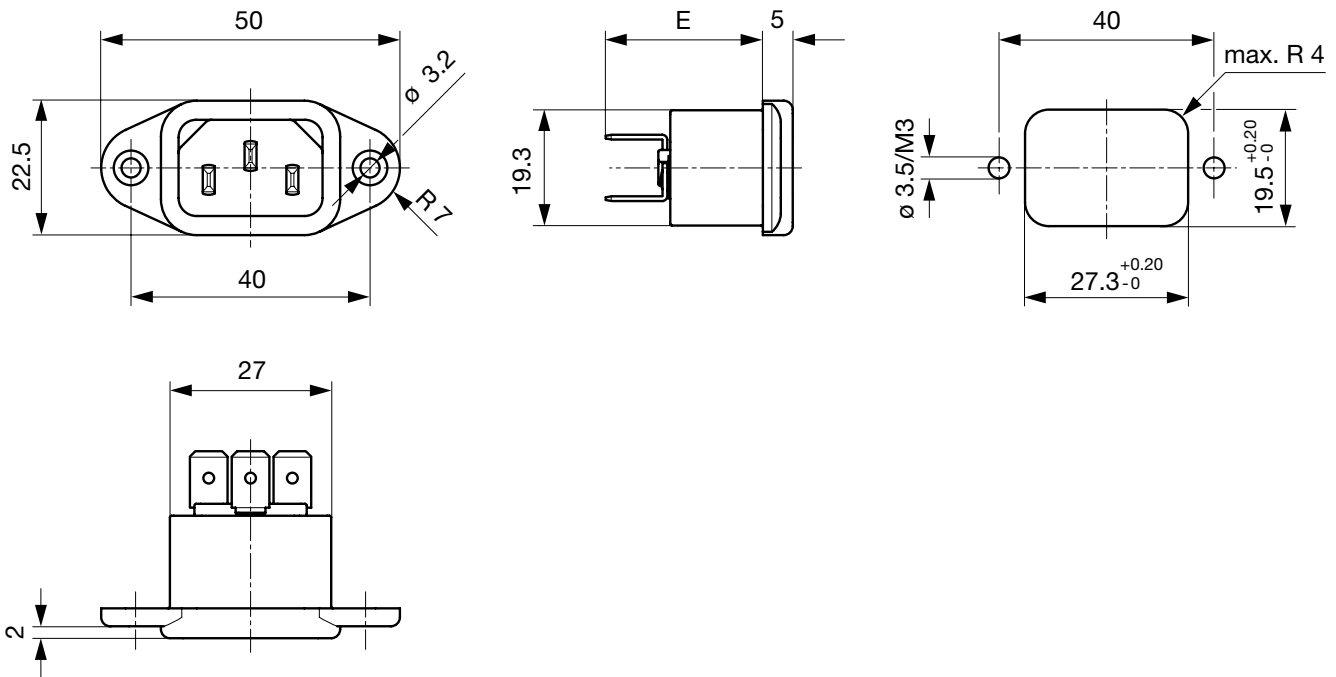
Newly available variants corresponding to V-Lock mating cordset. The connector is equipped with a notch intended for use with the latching cordset. The cord latching system prevents against accidental removal of the cordset.

**Technical Data**

Ratings IEC	10 A / 250 VAC; 50 Hz	Appliance Inlet	C14 acc. to IEC 60320
Ratings UL/CSA	15 A / 250 VAC; 60 Hz		UL 498, CSA C22.2 no. 42 (for cold conditions) pin-temperature 70 °C, 10 A, Protection Class I
Dielectric Strength	> 3 kVAC between L-N > 1.5 kVAC between L/N-PE (1 min/50 Hz)		
Allowable Operation Temp.	-25 °C to 70 °C		
Degree of Protection	from front side IP 20 acc. to IEC 60529		
Protection Class	Suitable for appliances with protection class I acc. to IEC 61140		
Material: Housing	PA6, black or grey, UL 94V-0		

**Dimensions**

Countersunk mounting holes, 40 mm distance, quick connect and solder terminals



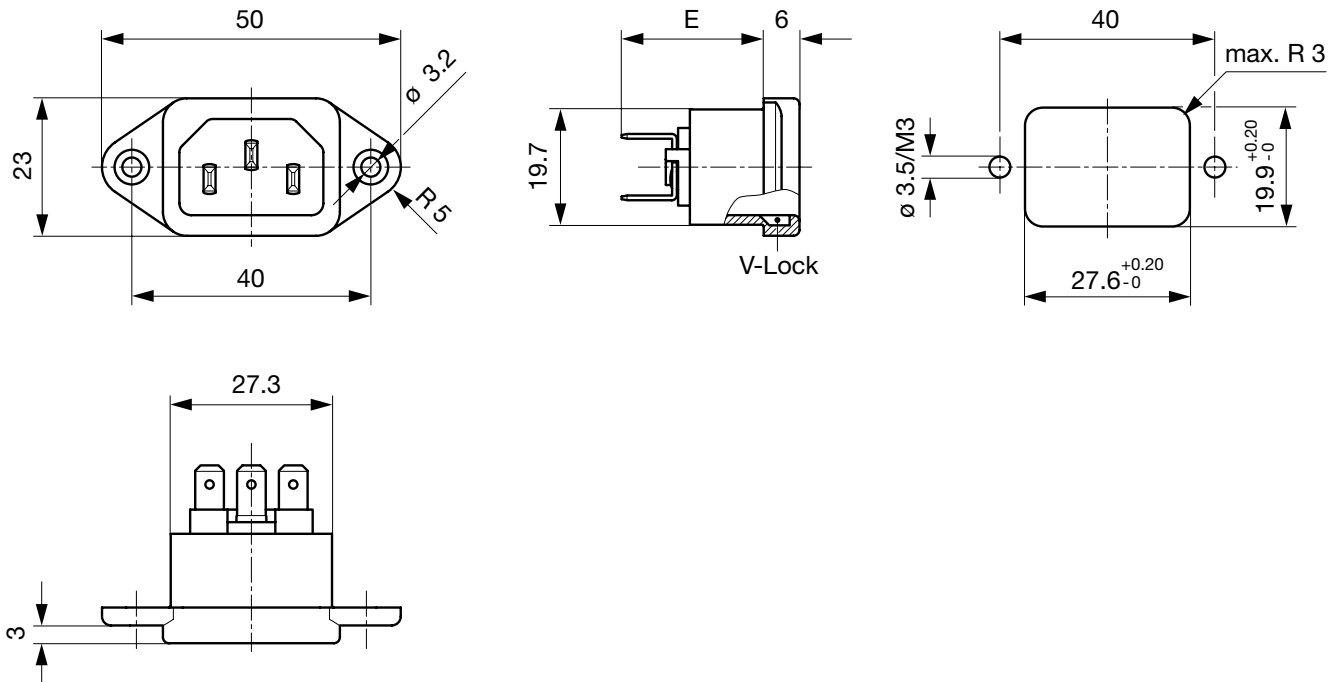
E: Quick-connect terminals 4.8x0.8 mm: 25.3 mm

E: Quick-connect terminals 6.3x0.8 mm: 26.3 mm

E: Solder terminals short: 21.1 mm

E: Solder terminals long: 24.5 mm

V-Lock version, countersunk mounting holes, 40 mm distance, quick connect and solder terminals



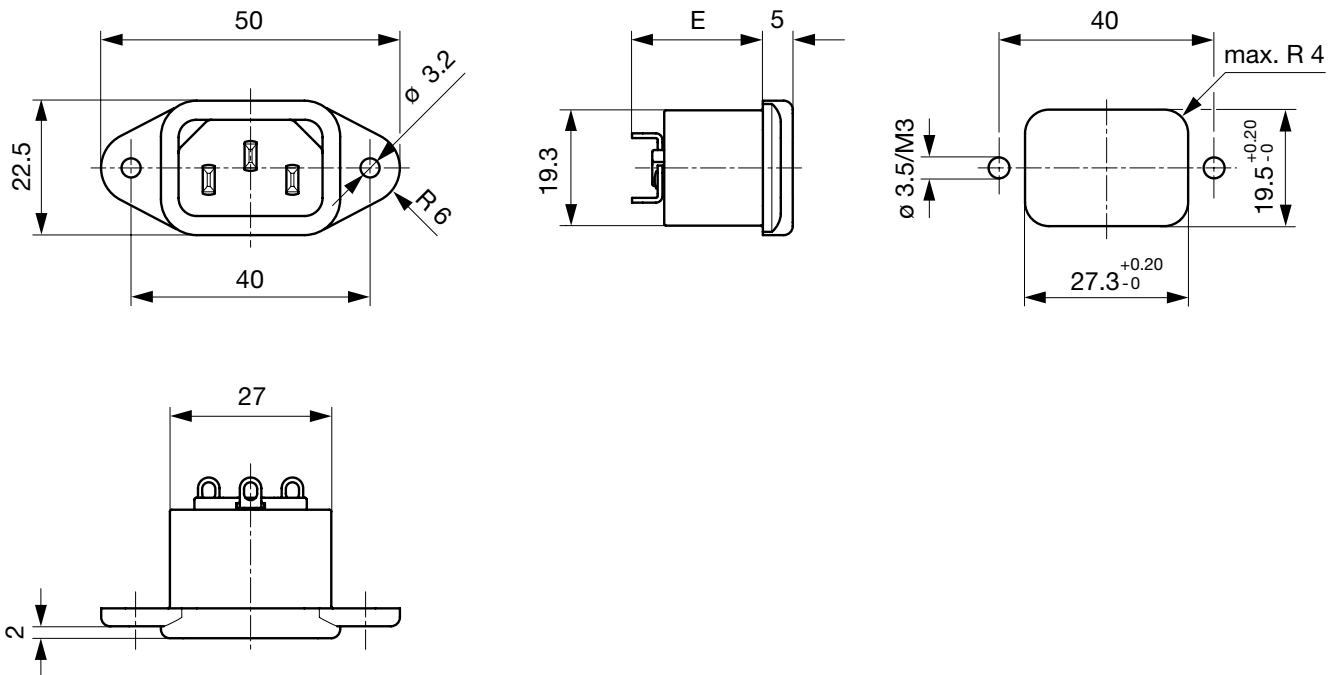
E: Quick-connect terminals 4.8x0.8 mm: 23.8 mm

E: Quick-connect terminals 6.3x0.8 mm: 24.8 mm

E: Solder terminals short: 19.6 mm

E: Solder terminals long: 23.0 mm

Through hole mounting holes, 40 mm distance, quick connect and solder terminals



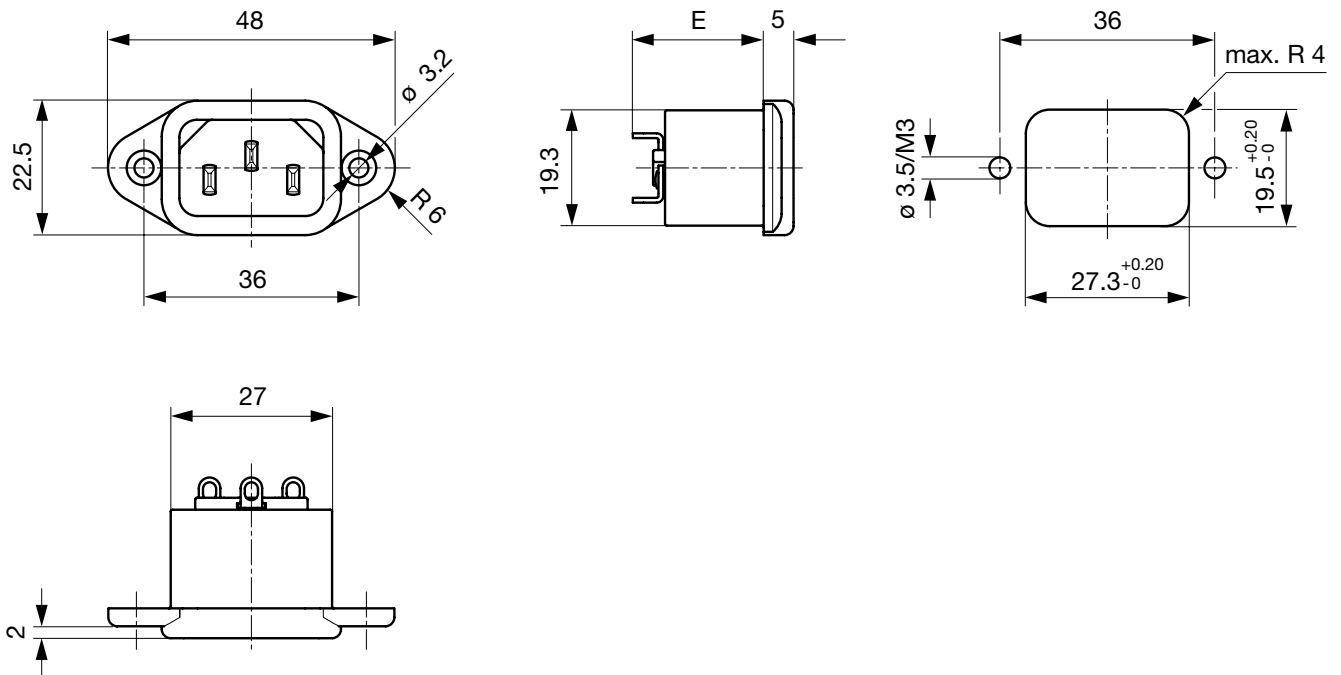
E: Quick-connect terminals 4.8x0.8 mm: 26.1 mm

E: Quick-connect terminals 6.3x0.8 mm: 27.1 mm

E: Solder terminals short: 21.9 mm

E: Solder terminals long: 25.3 mm

Countersunk mounting holes, 36 mm distance, quick connect and solder terminals



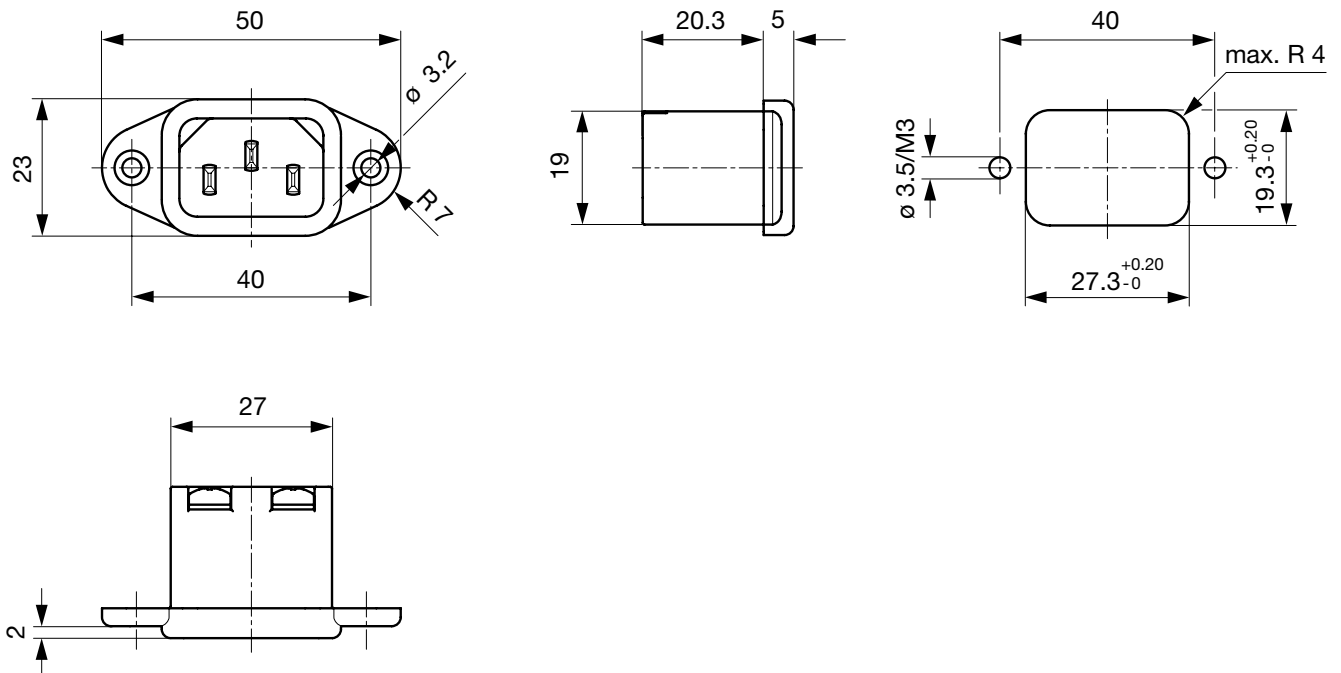
E: Quick-connect terminals 4.8x0.8 mm: 26.1 mm

E: Quick-connect terminals 6.3x0.8 mm: 27.1 mm

E: Solder terminals short: 21.9 mm

E: Solder terminals long: 25.3 mm

Countersunk mounting holes, 40 mm distance, screw terminals



## Config. Code






6061 - H - A B C 0 - D - E G O

The characters are placeholders for the correspondingly keys of selections from the key tables.

6061 - H - A B C 0 - D - E G O = Type

Type	Configuration key
protection class 1	X

6061 - H - A B C 0 - D - E G O = Terminals

Terminal L	Configuration key
short solder terminal (L = 4.8 mm) 	2
long solder terminal (L = 8.5 mm) 	3
PCB-terminal (long) 	6
Blade terminal (4.8 x 0.8 mm) 	8
Blade terminal (6.3 x 0.8 mm) 	9
screw terminal	A

6061 - H - A B C 0 - D - E G O = Terminals

Terminal N	Configuration key
short solder terminal (L = 4.8 mm)	2
long solder terminal (L = 8.5 mm)	3
PCB-terminal (long)	6
Blade terminal (4.8 x 0.8 mm)	8
Blade terminal (6.3 x 0.8 mm)	9
screw terminal	A

Symbols similar as in table A

6061 - H - A B C 0 - D - E G O = Terminals

Terminal Ground	Configuration key
short solder terminal (L = 4.8 mm)	2
long solder terminal (L = 8.5 mm)	3
PCB-terminal (long)	6
Blade terminal (4.8 x 0.8 mm)	8
Blade terminal (6.3 x 0.8 mm)	9
screw terminal	A

Symbols similar as in table A

6061 - H - A B C 0 - D - E G O = Color

Color	Configuration key
Black	A
Grey	B

6061 - H - A B C 0 - D - E G O = Style

Style	Configuration key
flange with countersunk holes	1
flange with through holes	2
flange with through holes (special type)	7

6061 - H - A B C 0 - D - E G O = Dimension X

Dimension "X"	Configuration key
36	
40	

The dimension "X" is displayed in ( $1/_{10}$  mm). This information is also valid for the order code

6061 - H - A B C 0 - D - E G O = Features

Features	Configuration key
not used	0
V-Lock	V

## Variants

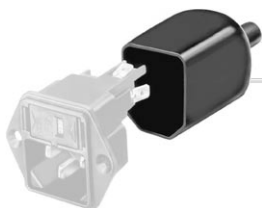
Config. Code	Description	Order Number
6061-X-2220-A-136	6061, IEC Appliance Inlet C14, 70°C, version: 1, L: short solder terminal (L = 4.8 mm), N: short solder terminal (L = 4.8 mm), ground: short solder terminal (L = 4.8 mm), color: Black, design: flange with countersunk holes, dimension X: 36, features:	6162.0045
6061-X-2220-A-140	6061, IEC Appliance Inlet C14, 70°C, version: 1, L: short solder terminal (L = 4.8 mm), N: short solder terminal (L = 4.8 mm), ground: short solder terminal (L = 4.8 mm), color: Black, design: flange with countersunk holes, dimension X: 40, features:	6162.0046
6061-X-2220-A-240	6061, IEC Appliance Inlet C14, 70°C, version: 1, L: short solder terminal (L = 4.8 mm), N: short solder terminal (L = 4.8 mm), ground: short solder terminal (L = 4.8 mm), color: Black, design: flange with through holes, dimension X: 40, features:	6162.0047
6061-X-2220-B-140	6061, IEC Appliance Inlet C14, 70°C, version: 1, L: short solder terminal (L = 4.8 mm), N: short solder terminal (L = 4.8 mm), ground: short solder terminal (L = 4.8 mm), color: Grey, design: flange with countersunk holes, dimension X: 40, features:	6162.0048
6061-X-3330-A-136	6061, IEC Appliance Inlet C14, 70°C, version: 1, L: long solder terminal (L = 8.5 mm), N: long solder terminal (L = 8.5 mm), ground: long solder terminal (L = 8.5 mm), color: Black, design: flange with countersunk holes, dimension X: 36, features:	6162.0049
6061-X-3330-A-140	6061, IEC Appliance Inlet C14, 70°C, version: 1, L: long solder terminal (L = 8.5 mm), N: long solder terminal (L = 8.5 mm), ground: long solder terminal (L = 8.5 mm), color: Black, design: flange with countersunk holes, dimension X: 40, features:	6162.0050
6061-X-3330-A-240	6061, IEC Appliance Inlet C14, 70°C, version: 1, L: long solder terminal (L = 8.5 mm), N: long solder terminal (L = 8.5 mm), ground: long solder terminal (L = 8.5 mm), color: Black, design: flange with through holes, dimension X: 40, features:	6162.0051
6061-X-3330-B-140	6061, IEC Appliance Inlet C14, 70°C, version: 1, L: long solder terminal (L = 8.5 mm), N: long solder terminal (L = 8.5 mm), ground: long solder terminal (L = 8.5 mm), color: Grey, design: flange with countersunk holes, dimension X: 40, features:	6162.0052
6061-X-4460-A-740	6061, IEC Appliance Inlet C14, 70°C, version: 1, L: PCB-terminal (standard), N: PCB-terminal (standard), ground: PCB-terminal (long), color: Black, design: flange with through holes (special type), dimension X: 40, features:	6162.0053
6061-X-8880-A-136	6061, IEC Appliance Inlet C14, 70°C, version: 1, L: Blade terminal (4.8 x 0.8 mm), N: Blade terminal (4.8 x 0.8 mm), ground: Blade terminal (4.8 x 0.8 mm), color: Black, design: flange with countersunk holes, dimension X: 36, features:	6162.0054
6061-X-8880-A-140	6061, IEC Appliance Inlet C14, 70°C, version: 1, L: Blade terminal (4.8 x 0.8 mm), N: Blade terminal (4.8 x 0.8 mm), ground: Blade terminal (4.8 x 0.8 mm), color: Black, design: flange with countersunk holes, dimension X: 40, features:	6162.0055
6061-X-8880-B-140	6061, IEC Appliance Inlet C14, 70°C, version: 1, L: Blade terminal (4.8 x 0.8 mm), N: Blade terminal (4.8 x 0.8 mm), ground: Blade terminal (4.8 x 0.8 mm), color: Grey, design: flange with countersunk holes, dimension X: 40, features:	6162.0056
6061-X-9990-A-136	6061, IEC Appliance Inlet C14, 70°C, version: 1, L: Blade terminal (6.3 x 0.8 mm), N: Blade terminal (6.3 x 0.8 mm), ground: Blade terminal (6.3 x 0.8 mm), color: Black, design: flange with countersunk holes, dimension X: 36, features:	6162.0057
6061-X-9990-A-140	6061, IEC Appliance Inlet C14, 70°C, version: 1, L: Blade terminal (6.3 x 0.8 mm), N: Blade terminal (6.3 x 0.8 mm), ground: Blade terminal (6.3 x 0.8 mm), color: Black, design: flange with countersunk holes, dimension X: 40, features:	6162.0058
6061-X-9990-B-140	6061, IEC Appliance Inlet C14, 70°C, version: 1, L: Blade terminal (6.3 x 0.8 mm), N: Blade terminal (6.3 x 0.8 mm), ground: Blade terminal (6.3 x 0.8 mm), color: Grey, design: flange with countersunk holes, dimension X: 40, features:	6162.0059
6061-X-9990-B-240	6061, IEC Appliance Inlet C14, 70°C, version: 1, L: Blade terminal (6.3 x 0.8 mm), N: Blade terminal (6.3 x 0.8 mm), ground: Blade terminal (6.3 x 0.8 mm), color: Grey, design: flange with through holes, dimension X: 40, features:	6162.0060
6061-X-AAA0-A-140	6061, IEC Appliance Inlet C14, 70°C, version: 1, L: screw terminal, N: screw terminal, ground: screw terminal, color: Black, design: flange with countersunk holes, dimension X: 40, features:	6162.0061
6061-X-AAA0-B-140	6061, IEC Appliance Inlet C14, 70°C, version: 1, L: screw terminal, N: screw terminal, ground: screw terminal, color: Grey, design: flange with countersunk holes, dimension X: 40, features:	6162.0062
6061-X-2220-A-140V	6061, IEC Appliance Inlet C14, 70°C, version: 1, L: short solder terminal (L = 4.8 mm), N: short solder terminal (L = 4.8 mm), ground: short solder terminal (L = 4.8 mm), color: Black, design: flange with countersunk holes, dimension X: 40, features: V-Lock	6162.0157
6061-X-8880-A-140V	6061, IEC Appliance Inlet C14, 70°C, version: 1, L: Blade terminal (4.8 x 0.8 mm), N: Blade terminal (4.8 x 0.8 mm), ground: Blade terminal (4.8 x 0.8 mm), color: Black, design: flange with countersunk holes, dimension X: 40, features: V-Lock	6162.0158
6061-X-9990-A-140V	6061, IEC Appliance Inlet C14, 70°C, version: 1, L: Blade terminal (6.3 x 0.8 mm), N: Blade terminal (6.3 x 0.8 mm), ground: Blade terminal (6.3 x 0.8 mm), color: Black, design: flange with countersunk holes, dimension X: 40, features: V-Lock	6162.0159

The listed variants should be available from stock. Other versions on request [www.schurter.com/contact](http://www.schurter.com/contact)

**Packaging unit** 50 Pcs

## Accessories

## Description



Assorted Covers  
Rear Cover

## Mating Outlets/Connectors

## Category / Description

[Appliance Outlet Overview complete](#)

IEC Appliance Outlet F, Screw-on Mounting, Front Side, Solder Terminal	4787
IEC Appliance Outlet F, Snap-in Mounting, Front Side, Solder or Quick-connect Terminal	4788
IEC Appliance Outlet F or H, Screw-on Mounting, Front Side, Solder, PCB or Quick-connect Terminal	5091
IEC Appliance Outlet F or H, Screw-on Mounting, Front Side, Solder or Quick-connect Terminal	5092

[Appliance Outlet further types to 6061](#)[Connector Overview complete](#)

IEC Connector C15, Rewireable, Straight	0101
IEC Connector C15A, Rewireable, Straight	0102
IEC Connector C15A, Rewireable, Straight	0102-G
IEC Connector C15A, Rewireable, Angled	0112
IEC Connector C13, Rewireable, Angled	4012

[Connector further types to 6061](#)

...

[Power Cord Overview complete](#)

Power Cord with IEC Connector C13, Angled	0311
Power Cord with IEC Connector C13, Angled	3011
Power Cord with IEC Connector C13, Angled	3012
Power Cord with IEC Connector C13, Angled	3013
Power Cord with IEC Connector C13	3020

[Power Cord further types to 6061](#)

...

[Power Supply or Interconnection Cord Overview complete](#)

Diverse Power Supply and Interconnection Cords 10 A	Cord Sets 10 A
---	----------------

[Power Supply or Interconnection Cord further types to 6061](#)