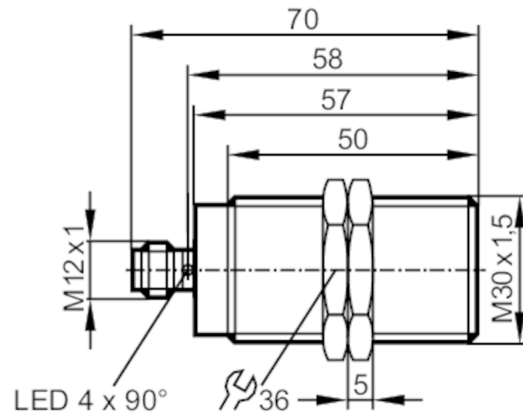


II504A



Inductive full-metal sensor

IIK3010-BPKG/AM/US104DPS/2D/3G



Product characteristics

Electrical design		PNP
Output function		normally open
Sensing range	[mm]	10
Housing		threaded type
Dimensions	[mm]	M30 x 1.5 / L = 70

Application

Special feature		Gold-plated contacts; Full-metal housing
Pressure rating	[bar]	100
Note on pressure rating		sensing face

Electrical data

Operating voltage	[V]	10...36 DC
Current consumption	[mA]	< 20
Protection class		III
Reverse polarity protection		yes

Outputs

Electrical design		PNP
Output function		normally open
Max. voltage drop switching output DC	[V]	2.5
Permanent current rating of switching output DC	[mA]	40
Switching frequency DC	[Hz]	50
Short-circuit protection		yes
Type of short-circuit protection		pulsed
Overload protection		yes

Detection zone

Sensing range	[mm]	10
Operating distance	[mm]	0...8.1

II504A



Inductive full-metal sensor

IIK3010-BPKG/AM/US104DPS/2D/3G

Accuracy / deviations		
Correction factor	steel: 1 / stainless steel: 0.7 / brass: 0.8 / aluminium: 0.6 / copper: 0.3	
Hysteresis [% of Sr]	1...20	
Operating conditions		
Ambient temperature [°C]	-40...60	
Protection	IP 67; (when used outside the hazardous area: IP65, IP 66, IP 67, IP 68, IP 69K)	
Tests / approvals		
Approval	BVS 12 ATEX E 045 X; IECEx BVS 12.0030 X	
ATEX marking	II 3G Ex nA IIC T6 Gc	
	II 2D Ex tb IIIC T85°C Db IP67	
EMC	EN 61000-4-2 ESD	4 kV CD / 8 kV AD
	EN 61000-4-3 HF radiated	10 V/m
	EN 61000-4-4 Burst	2 kV
	EN 61000-4-6 HF conducted	10 V
	EN 55011 emission	class B
Impact resistance	1 J	
MTTF [years]	1590	
Mechanical data		
Weight [g]	158.6	
Housing	threaded type	
Mounting	flush mountable	
Dimensions [mm]	M30 x 1.5 / L = 70	
Thread designation	M30 x 1.5	
Materials	stainless steel (1.4404 / 316L); PEI; lock nuts: stainless steel	
Full-metal housing	yes	
Displays / operating elements		
Display	switching status	4 x 90° LED, yellow
Accessories		
Accessories (supplied)	lock nuts: 2	
Remarks		
Remarks	Note: for use in hazardous areas A fuse must be connected between the current source and the unit. (40 mA time lag, to EN 60127-2) The fuse must be inserted in the circuit L+ outside the hazardous areas.	
Pack quantity	1 pcs.	
Electrical connection - plug		
Connector: 1 x M12; Contacts: gold-plated		

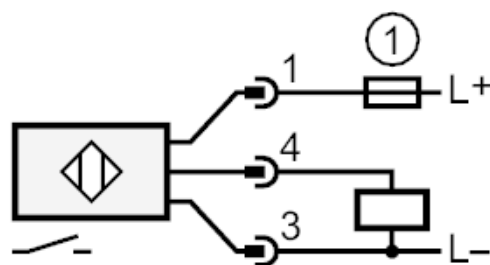
II504A

Inductive full-metal sensor

IIK3010-BPKG/AM/US104DPS/2D/3G



Connection



1 = fuse