

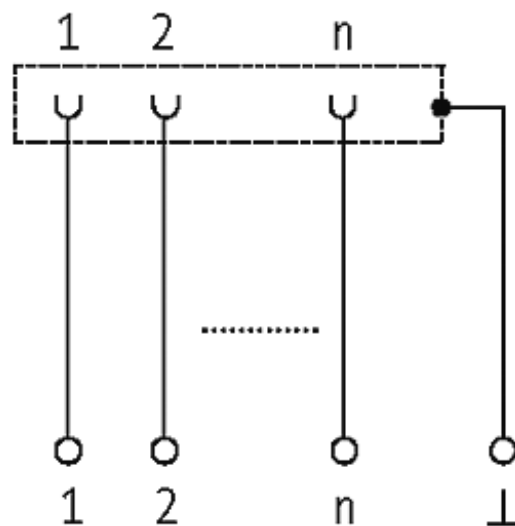
## SV-SUB D 50 .-KL FOR SIGNAL TRANSFER

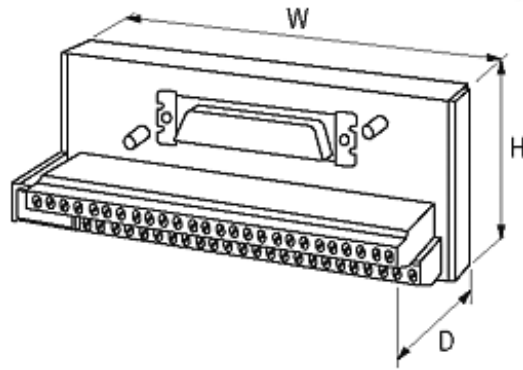
125 VAC/DC / 2 A

50-pole  
Screw terminals

[Link to Product](#)

### Illustration



*stay connected*

Product may differ from Image

### Technical Data

|                           |  |
|---------------------------|--|
| Operating voltage         | max. 125 V AC/150 V DC                         |
| Operating current per bit | max. 2 A                                       |
| Material group            | (EN 60664-1) over voltage, category II         |
| Plug connector            | Standard UNC 4-40 screw thread bolt (EN 60807) |

### General data

|                      |                               |
|----------------------|-------------------------------|
| Mounting method      | DIN-rail mountable (EN 60715) |
| Temperature range    | -20...+70 °C                  |
| Dimensions H × W × D | 63×95×58 mm                   |

### Commercial data

|                        |          |
|------------------------|----------|
| country of origin      | CZ       |
| customs tariff number  | 85366990 |
| minimum order quantity | 1        |