



Figure similar

CHANGEOVER SWITCH 3-POLE IU=32, P/AC-23A AT 400V=11,5KW 2 N-TERMINAL MOULDED-PLASTIC ENCLOSURED, IP65

Model		
product brand name		SENTRON
Product designation		Main and EMERGENCY-STOP switches
Design of the operating mechanism		knob-operated mechanism, black
Type of the driving mechanism / motor drive		No
General technical data		
Number of poles		3
Type of device		fixed mounting
Protection against electrical shock		finger-safe
Mechanical service life (switching cycles) / of the main contacts / typical		100 000
Operating frequency / maximum	1/h	50
Voltage		
Insulation voltage / Rated value	V	690
Surge voltage resistance / Rated value	V	6 000
Protection class		
Protection class IP		IP65
Electricity		
Continuous current / Rated value	A	32
Short-time current resistance (I <sub>cw</sub> ) / at 690 V / limited to 1 s / Rated value	A	640
Main circuit		
Operating frequency		
• initial value	Hz	50

• Full-scale value	Hz	60
<b>Operating power</b>		
• at AC-23 A / at 400 V / Rated value	kW	11.5
• at AC-23 A / at 690 V / Rated value	kW	11.5
• at AC-3 / at 400 V / Rated value	kW	9.5
• at AC-3 / at 690 V / Rated value	kW	9.5
<b>Operating voltage</b>		
• with AC / at 50/60 Hz / Rated value	V	690
Operating current / at AC-21 / Rated value	A	32

#### Auxiliary circuit

Number of CO contacts / for auxiliary contacts		0
<b>Number of NC contacts / for auxiliary contacts</b>		0
<b>Number of NO contacts / for auxiliary contacts</b>		0
<b>Operating voltage / of the auxiliary contacts / with AC / maximum</b>	V	500
<b>Continuous current / of the auxiliary contact / Rated value</b>	A	10
<b>Insulation voltage / of the auxiliary switch / Rated value</b>	V	500

#### Suitability

<b>Suitability for use</b>		
• Main switch		Yes
• switch disconnecter		Yes
• EMERGENCY OFF switch		Yes
• safety switch		Yes
• maintenance/repair switch		Yes

#### Product details

Product feature / interlock		No
Product expansion / optional		
• motor drive		No
• Voltage trigger		No

#### Connections

<b>Connectable conductor cross-section</b>		
• for main contacts		
— single or multi-stranded / minimum	mm <sup>2</sup>	1.5
— single or multi-stranded / maximum	mm <sup>2</sup>	16
— finely stranded / with core end processing / maximum	mm <sup>2</sup>	10
— stranded / minimum	mm <sup>2</sup>	1.5
— stranded / maximum	mm <sup>2</sup>	16
• for auxiliary contacts		

— single or multi-stranded / minimum	mm <sup>2</sup>	0.75
— single or multi-stranded / maximum	mm <sup>2</sup>	4
— finely stranded / with core end processing / minimum	mm <sup>2</sup>	0.75
— finely stranded / with core end processing / maximum	mm <sup>2</sup>	2.5
— stranded / minimum	mm <sup>2</sup>	0.75
— stranded / maximum	mm <sup>2</sup>	4
<b>Type of connectable conductor cross-section</b>		
• for main contacts / finely stranded / with core end processing		10
• for auxiliary contacts		
— solid		50
— finely stranded / with core end processing		2x (0.75 ... 1.5 mm <sup>2</sup> ), 1x 2.5 mm <sup>2</sup>
<b>Type of electrical connection</b>		
• for main current circuit		connection terminals
• for auxiliary contacts		connection terminals

## Requirements

<b>Design of the fuse link</b>		
• for short-circuit protection of the main circuit / required		fuse gL/gG: 40 A
• for short-circuit protection of the auxiliary switch / required		fuse gL/gG: 10 A

## Mechanical Design

<b>Height</b>	mm	188
<b>Width</b>	mm	146
<b>Depth</b>	mm	149
<b>Mounting type</b>		floor mounting
<b>Mounting type</b>		
• front mounting		No
• front mounting with 4-hole attachment		No
• front mounting with central attachment		Yes
• Side-by-side mounting		No
• rail mounting		No

## Environmental conditions

<b>Ambient temperature</b>		
• during operation / minimum	°C	-25
• during operation / maximum	°C	55

## Certificates

<b>Equipment marking</b>		
• acc. to DIN EN 61346-2		S

## General Product Approval



CCC



CSA



GOST



UL



VDE



General Product Approval	Declaration of Conformity	Test Certificates	Shipping Approval	other
--------------------------	---------------------------	-------------------	-------------------	-------

[other](#)



EG-Konf.

[Special Test Certificate](#)



GL

[Environmental Confirmations](#)

## Further information

### Information- and Downloadcenter (Catalogs, Brochures,...)

<http://www.siemens.com/lowvoltage/catalogs>

### Industry Mall (Online ordering system)

<https://eb.automation.siemens.com/mall/en/WW/Catalog/Product/3LD22657UB01>

### Service&Support (Manuals, Certificates, Characteristics, FAQs,...)

<http://support.automation.siemens.com/WW/view/en/3LD22657UB01/all>

### Image database (product images, 2D dimension drawings, 3D models, device circuit diagrams, ...)

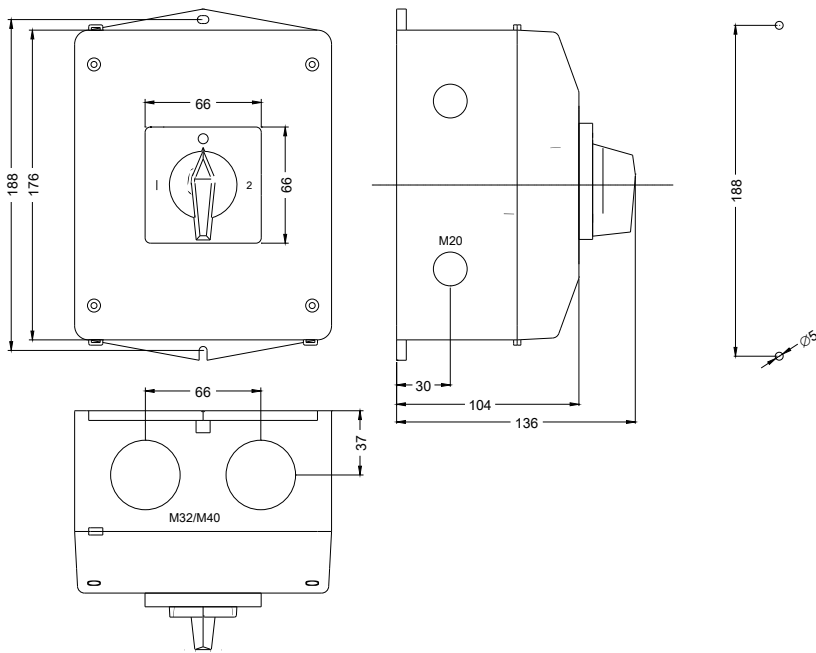
[http://www.automation.siemens.com/bilddb/cax\\_en.aspx?mfb=3LD22657UB01](http://www.automation.siemens.com/bilddb/cax_en.aspx?mfb=3LD22657UB01)

### CAX-Online-Generator

<http://www.siemens.com/cax>

### Tender specifications

<http://ausschreibungstexte.siemens.com/tiplv>



last modified:

11.03.2015