

RJ45 connection, 22 mm, plastic, black



Figure similar

Product brand name	SIRIUS ACT
Product designation	RJ45 connection
Design of the product	RJ-45 Cat. 6
Product type designation	3SU1
Actuator	
Outer diameter of the actuating element	29.45 mm
General technical data	
Protection class IP	IP65
Ambient conditions	
Ambient temperature	
• during operation	-25 ... +70 °C
• during storage	-40 ... +80 °C
Installation/ mounting/ dimensions	
Shape of the installation opening	round
Mounting height	11.7 mm
Installation width	29.45 mm

Installation depth	28.35 mm
--------------------	----------

Accessories

Material of accessory	Plastic
Color of accessory	black

Certificates/approvals

General Product Approval	Declaration of Conformity	Test Certificates
--------------------------	---------------------------	-------------------



[Declaration of the Compliance with the order](#)

[Special Test Certificate](#)

other

[Confirmation](#)

Further information

Information- and Downloadcenter (Catalogs, Brochures,...)

<http://www.siemens.com/industrial-controls/catalogs>

Industry Mall (Online ordering system)

<https://mall.industry.siemens.com/mall/en/en/Catalog/product?mlfb=3SU1900-0GB10-0AA0>

Cax online generator

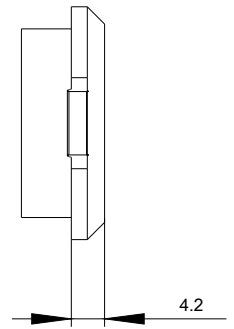
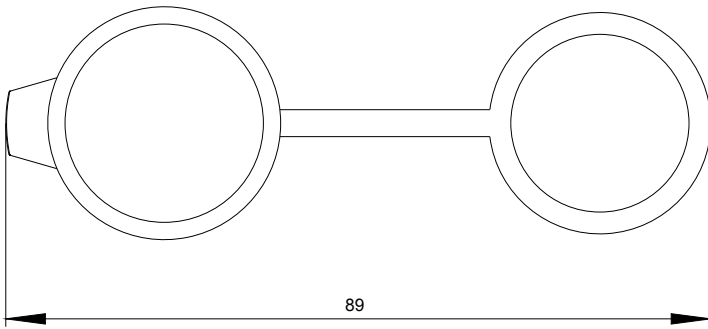
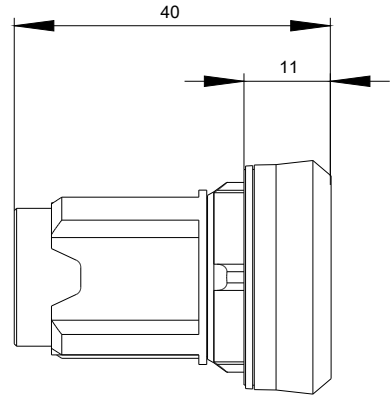
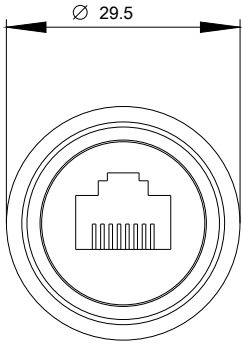
<http://support.automation.siemens.com/WW/CAXorder/default.aspx?lang=en&mlfb=3SU1900-0GB10-0AA0>

Service&Support (Manuals, Certificates, Characteristics, FAQs,...)

<https://support.industry.siemens.com/cs/ww/en/ps/3SU1900-0GB10-0AA0>

Image database (product images, 2D dimension drawings, 3D models, device circuit diagrams, EPLAN macros, ...)

http://www.automation.siemens.com/bilddb/cax_de.aspx?mlfb=3SU1900-0GB10-0AA0&lang=en



last modified:

09/25/2017