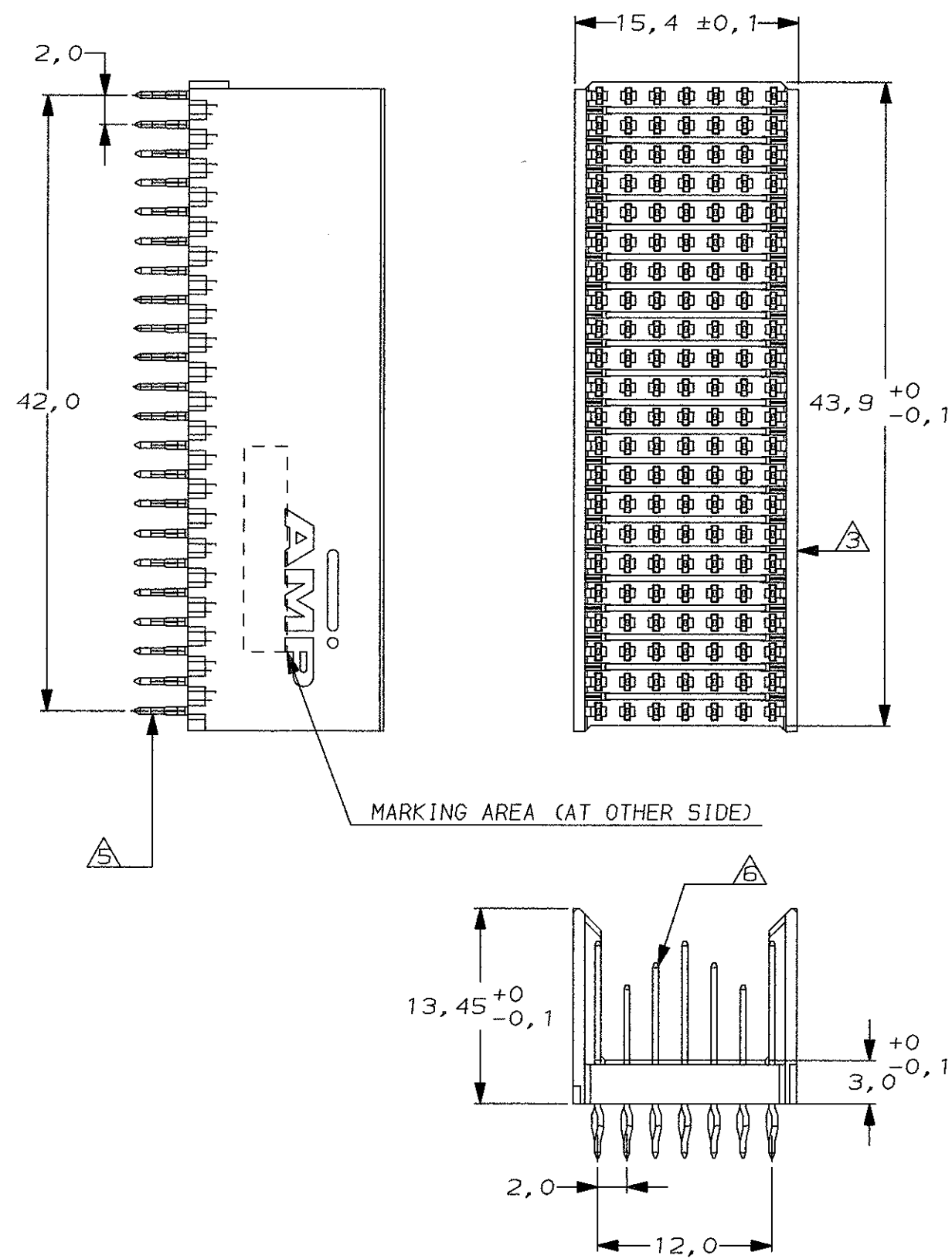
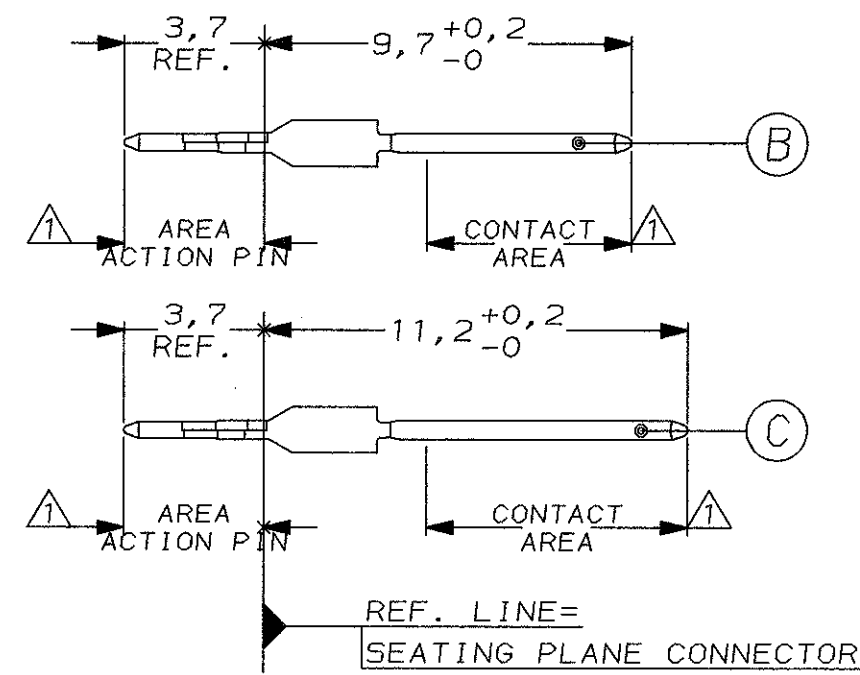


CONNECTOR ASSEMBLY EXEMPLARY LOADED



CONTACT DIMENSIONS



DO NOT SCALE
DIMENSIONS IN mm

METRIC

THIRD ANGLE
PROJECTION

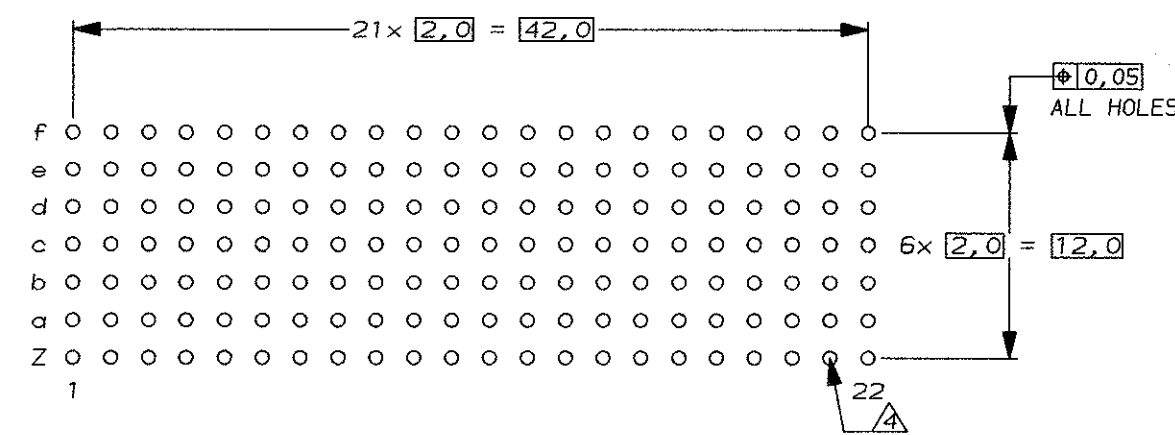
CONTACT LAYOUT

	z	a	b	c	d	e	f
1	C	B	B	B	B	B	C
2	C	B	B	B	B	B	C
3	C	B	B	B	B	B	C
4	C	B	B	B	B	B	C
5	C	B	B	B	B	B	C
6	C	B	B	B	B	B	C
7	C	B	B	B	B	B	C
8	C	B	B	B	B	B	C
9	C	B	B	B	B	B	C
10	C	B	B	B	B	B	C
11	C	B	B	B	B	B	C
12	C	B	B	B	B	B	C
13	C	B	B	B	B	B	C
14	C	B	B	B	B	B	C
15	C	B	B	B	B	B	C
16	C	B	B	B	B	B	C
17	C	B	B	B	B	B	C
18	C	B	B	B	B	B	C
19	C	B	B	B	B	B	C
20	C	B	B	B	B	B	C
21	C	B	B	B	B	B	C
22	C	B	B	B	B	B	C

NOTES:

- ① FOR FINISH TYPES SEE PLATING TABLE.
- ② MATERIAL CONTACT: PHOSPHORBRONZE.
MATERIAL HOUSING: GREY GLASSFILLED POLYESTER
UL-RATING 94V0.
- ③ CONNECTOR MARKED WITH PART NUMBER AND DATE CODE.
- ④ PLATED-THROUGH HOLES AT 2x2mm SQUARE GRID,
TOTAL 154 HOLES.
- ⑤ FOR ACTUAL PIN LOADING SEE "CONTACT LAYOUT".
- ⑥ CONNECTOR LUBRICATED WITH BELCORE
APPROVED LUBRICANT TECHNICAL REFERENCE
TR-NWT-001217 ISSUE 1 SEPT 1992

PART NO.	PLATING TABLE ①			
	UNDER-COATING μm Ni MIN.	CONTACT AREA μm Au MIN.	ACTION-PIN AREA μm	CONSERVATION TREATMENT
188835-1	1,3	0,8	0,5-2,5 Sn/Pb	NO
188835-4	1,3	1,3	0,5-2,5 Sn/Pb	NO
188835-9	1,3	0,8	0,5-2,5 Sn/Pb	YES ⑥
-	-	-	-	-
-	-	-	-	-



RECOMMENDED PCB-HOLE LAY-OUT
COMPONENT SIDE SHOWN

P.C.B. HOLE DIM. ACTION PIN	
DRILLED HOLE:	0,7±0,025mm
FIN. HOLE	: 0,55 TO 0,65mm
Cu-thks	: 0,025 TO 0,050mm
SnPb-thks	: 0,004 TO 0,010mm

		FINISH	MATERIAL	PART NUMBER
-	-	-	-	-
-	-	① ⑥	②	188835-9
-	-	①	②	188835-4
-	-	①	②	188835-1
-	-	-	-	-
CUSTOMER DRAWING FOR REFERENCE ONLY WILL NOT BE UPDATED				
© COPYRIGHT 1998 BY AMP HOLLAND B.V. ALL INTERNATIONAL RIGHTS RESERVED. AMP PRODUCTS MAY BE COVERED BY U.S. AND FOREIGN AND/OR PATENTS PENDING. THIS DRAWING IS UNPUBLISHED RELEASED FOR PUBLICATION				
C	EH-1609-98	LvdH	LvdR 22-JAN-98	
B	EH-0409-98	LvdH	DT 18-MAR-98	
A	EH-0821-96	DT	FvK 04-JUL-96	
0	EH-1277-95	DT	FvK 26-OCT-95	
LTR. REVISION RECORD DR. CHK. DATE				
DR.: L.V.D.HEIJDEN CHK.: L.V.D.REE APP.: F.V.KONINGSBRUGGE				
DATE: 22-JAN-99 DATE: 29-JAN-99 DATE: -				
NAME Z-PACK 2mm HM TYPE B 154 POS. MALE CONNECTOR ASSEMBLY 22 COLUMNS				DWG. No. C-188835
REV. LTR. SHEET				1 OF 1 A2