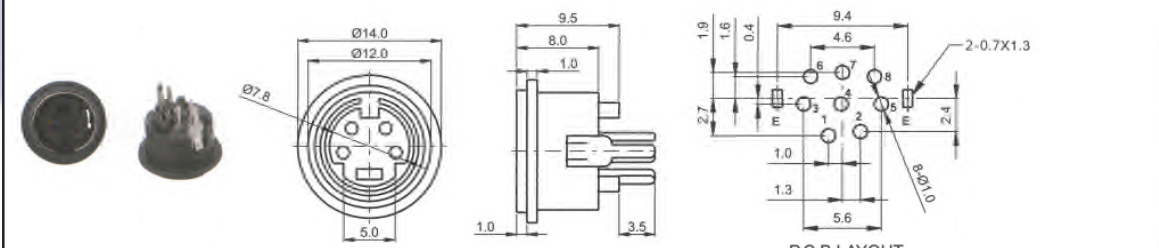


The **CLIFF** range of Mini Din products feature four different models.

SOCKETS

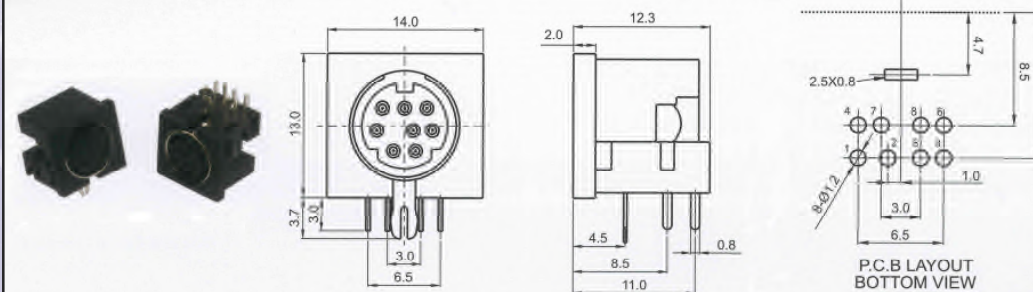
MDV Series - Vertical PCB mounting



Technical drawings for MDV Series sockets showing front, side, and P.C.B. layout bottom views. Dimensions include diameters of 14.0 and 12.0, and various pin spacings.

Model No.	Schematic
MDV4 FC680905	
MDV6 FC680910	
MDV8 FC680915	

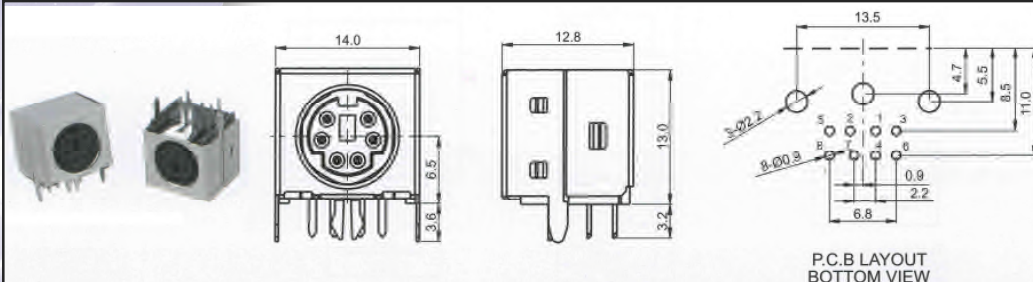
MDHU Series - Unscreened 90° PCB mounting



Technical drawings for MDHU Series sockets showing front, side, and P.C.B. layout bottom views. Dimensions include a 14.0 width and 13.0 height.

Model No.	Schematic	Model No.	Schematic
MDHU3 FC680950		MDHU6 FC680965	
MDHU4 FC680955		MDHU7 FC680970	
MDHU5 FC680960		MDHU8 FC680975	

MDHS Series - Screened 90° PCB mounting



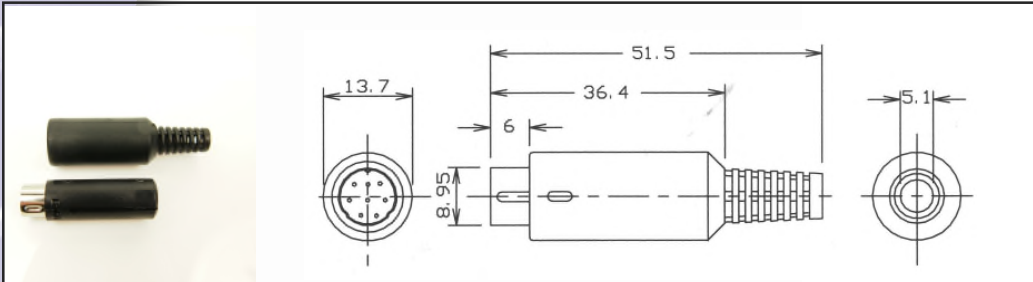
Technical drawings for MDHS Series sockets showing front, side, and P.C.B. layout bottom views. Dimensions include a 14.0 width and 13.0 height.

Model No.	Schematic	Model No.	Schematic
MDHS3 FC680920		MDHS7 FC680940	
MDHS4 FC680925		MDHS8 FC680945	
MDHS6 FC680935			

PLUGS

The MDP range of plugs comprises 3,4,5,6,7 & 8 way plugs for self assembly.

Please note that these plugs are difficult to assemble due to fine soldering required. For OEM users, we can supply moulded on plugs.



Technical drawings for MDP Series plugs showing front, side, and end views. Dimensions include a 13.7 diameter and a 51.5 length.

Model No.	Schematic	Model No.	Schematic
MDP3 FC680977		MDP6 FC680983	
MDP4 FC680979		MDP7 FC680985	
MDP5 FC680981		MDP8 FC680987	

N.B. Always verify PCB hole details by comparing our drawing and samples, as we have a number of variants in this range.

Cliff Electronic Components, Ltd.

76 Holmethorpe Avenue, Holmethorpe Ind. Est.

Redhill, Surrey RH1 2PF. England

Tel: +44 (0) 1737 771375

Fax: +44 (0) 1737 766012

Email: sales@cliffuk.co.uk



Visit us online at

www.cliffuk.co.uk