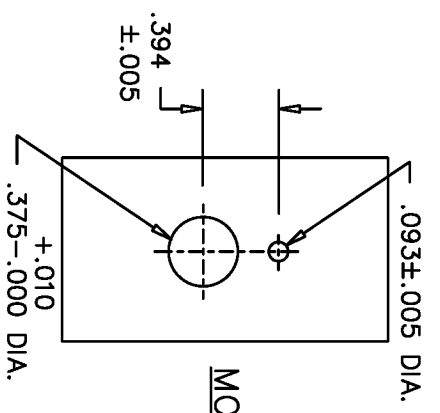


THIS DOCUMENT CONTAINS PROPRIETARY DATA OF POLARIS INDUSTRIAL ENTERPRISES, INC. NO DISCLOSURE, REPRODUCTION, OR USE OF ANY PART THERE OF MAY BE MADE EXCEPT BY WRITTEN PERMISSION.

REV.	BY	DATE	APPRVL.	P/N
B	DMS	5/12/98		MB25
				ADDED MODEL CHART

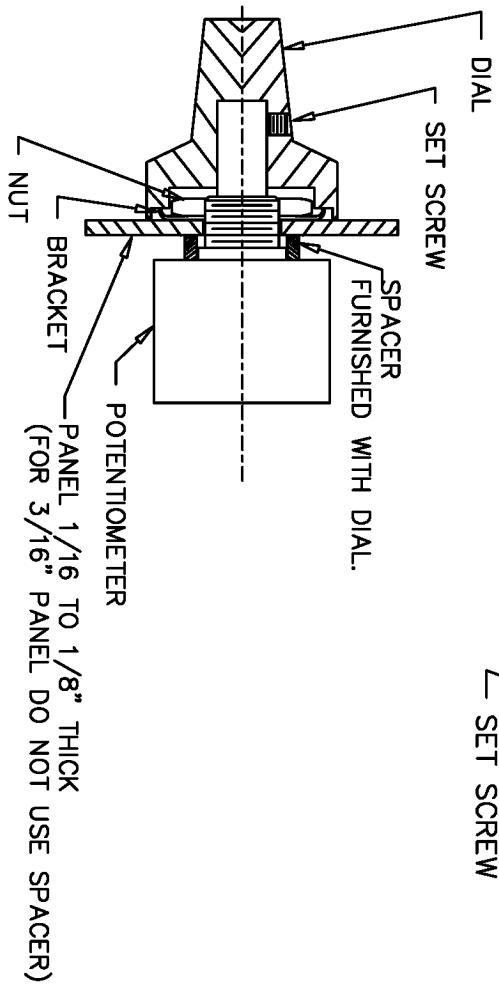
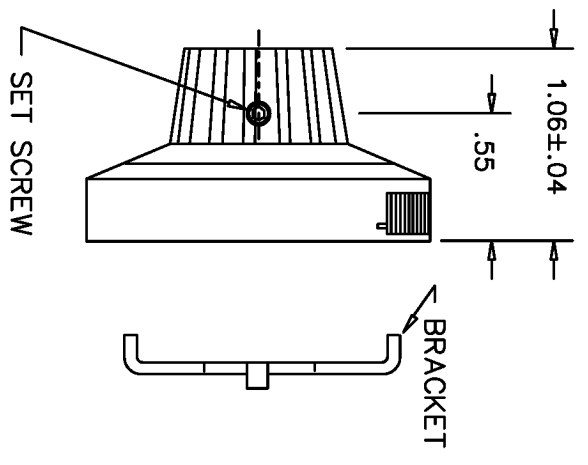
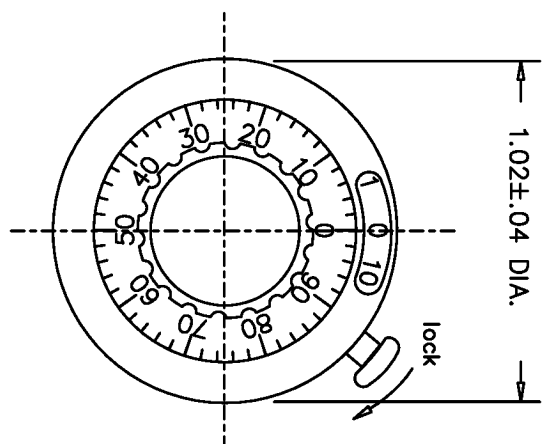


**MOUNTING METHOD**

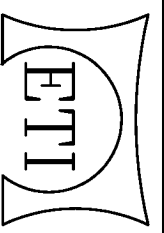
**SPECIFICATIONS**

NUMBER OF TURNS — UP TO 10  
 NUMBER OF GRADUATIONS — 50 PER TURN  
 SHAFT MTG. DIA. — SEE CHART  
 LOCK DEVICE — OVER THE CENTER ACTION  
 OPERATING TEMPERATURE — -30°C TO +60°C

MODEL	MATCHING SHAFT SIZE	COLOR	LOCK
MB25N-1/8	1/8	SATIN (WHITE NUMBERS)	
MB25N-1/4	1/4	SATIN (WHITE NUMBERS)	NO
MB25N-6MM	6MM	SATIN (WHITE NUMBERS)	
MBA25N-1/8	1/8	BLACK (WHITE NUMBERS)	NO
MBA25N-1/4	1/4	BLACK (WHITE NUMBERS)	
MBA25N-6MM	6MM	BLACK (WHITE NUMBERS)	
MB25L-1/8	1/8	SATIN (WHITE NUMBERS)	
MB25L-1/4	1/4	SATIN (WHITE NUMBERS)	YES
MB25L-6MM	6MM	SATIN (WHITE NUMBERS)	
MBA25L-1/8	1/8	BLACK (WHITE NUMBERS)	YES
MBA25L-1/4	1/4	BLACK (WHITE NUMBERS)	
MBA25L-6MM	6MM	BLACK (WHITE NUMBERS)	



THIS DOCUMENT CONTAINS PROPRIETARY DATA OF POLARIS INDUSTRIAL ENTERPRISES, INC. NO DISCLOSURE, REPRODUCTION, OR USE OF ANY PART THERE OF MAY BE MADE EXCEPT BY WRITTEN PERMISSION.



**ETI SYSTEMS**  
 CARISBAD CALIFORNIA

**TITLE**  
 CONCENTRIC

**TURNING COUNTING DIAL**

PART NO.

**MB25**

<b>TOLERANCES</b>	
XX = +/- .010" FRACT. = +/- 1/64"	
XXX = +/- .005" ANGLES = +/- 1/2°	
ALL SPECIFICATIONS SUBJECT TO CHANGE WITHOUT NOTICE.	
SCALE	NONE
DATE:	8-6-86
BY	
APPRVD	BT
CODE IDENT:	19477